







ITEM# 10523

DROP LID ENTRYWAY BENCH W/UPHOLSTERED SEAT

Hardware List



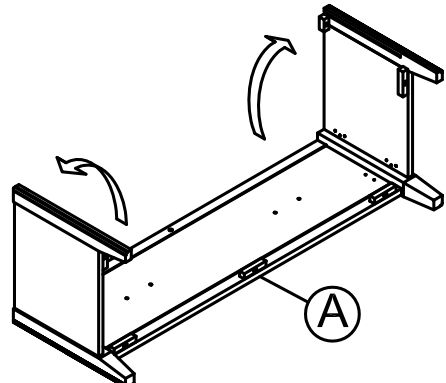
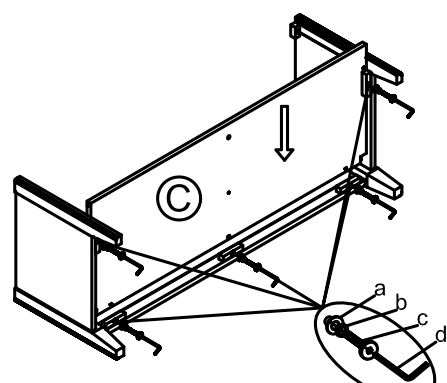
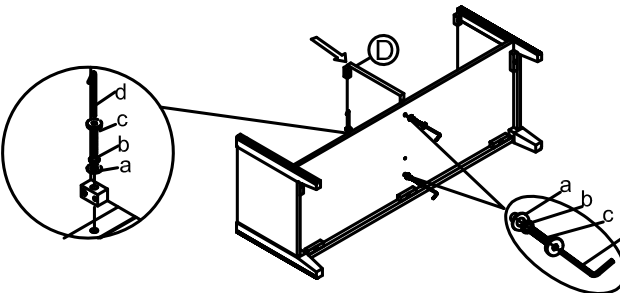
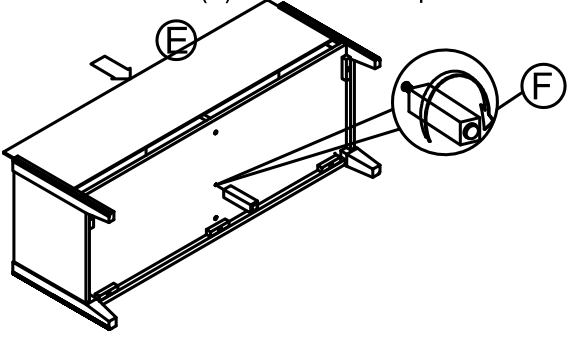
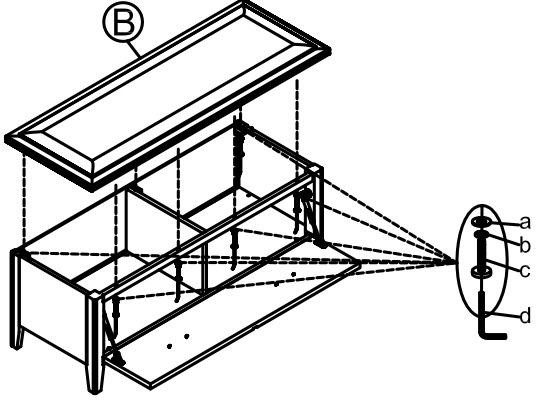
Leick
Home
SINCE 1970
2219 S. 19th St.
Sheboygan, WI 53081
Ph: 920-451-4060
Fax: 920-451-4063
info@leickhome.com
www.leickhome.com

	Item	Description	Qty
a		Flat washers	15 pcs
b		Lock washers	15 pcs
c		Bolts	15 pcs
d		Allen wrench	1 pc
e		Door Pulls	2 pcs
f		Machine Screws	4 pcs

Assembly Instructions

Parts List

Item	Description	Qty
A	Front Frame	1 pc
B	Top Panel	1 pc
C	Bottom Panel	1 pc
D	Center panel	1 pc
E	Back Panel	1 pc
F	Foot	1 pc

<p>Step 1 Lay the front frame (A) facing down on a soft surface and unfold two side panels.</p> 	<p>Step 2 Slide the bottom panel (C) into the grooves and fasten with 5 bolts.</p> 
<p>Step 3 Fasten center panel (D) into the bottom panel and front frame with 3 bolts.</p> 	<p>Step 4</p> <p>4.1 Slide the back panel (E) into the grooves of the back legs. Push until its lower edge fits into the groove of bottom panel.</p> <p>4.2 Screw the foot (F) on the bottom panel.</p> 
<p>Step 5</p> <p>5.1 Place the cabinet upright and open the door.</p> <p>5.2 Put the top panel (B) on and fasten with 7 bolts.</p> 	<p>Step 6</p> <p>6.1 Fasten the door pulls with machine screws.</p> <p>6.2 Adjust levelers on the bottom of feet if needed.</p> 