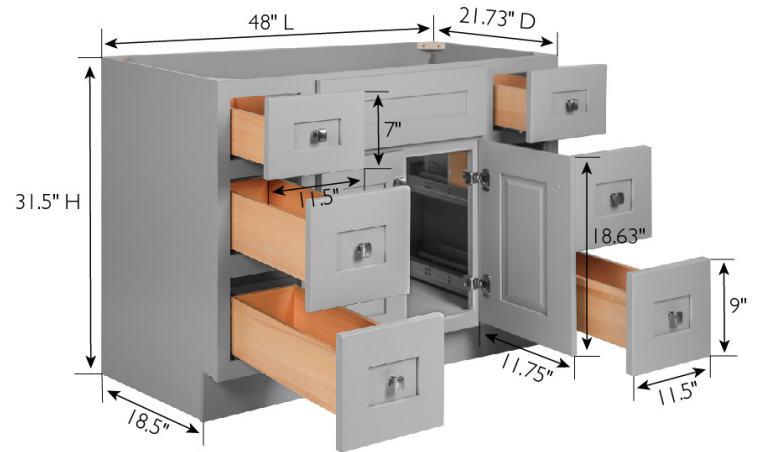


Brookings Fully Assembled, 2-Door 6-Drawer Vanity, 48x21.73x31.5 in.
Gray Base



SPECIFICATIONS

MATERIAL CONSTRUCTION:	Wood
ASSEMBLY REQUIRED:	No
TOOLS NEEDED FOR ASSEMBLY:	100% Silicone
ASSEMBLED DIMENSIONS:	31.5" H x 48" L x 21.73" D
ASSEMBLED WEIGHT:	101.42 lbs.
HINGE STYLE:	Soft Close
DOOR STYLE:	2 Shaker Doors
DRAWER STYLE:	6 Drawers
GLIDE STYLE:	Soft Close
DWR 1-2 DIMENSIONS:	3.25" H x 7.125" L x 16.75" D
DWR 3-4 DIMENSIONS:	4.25" H x 7.125" L x 16.75" D
DWR CONSTRUCTION:	Dove Tail

CONSTRUCTION TYPE:	Face Frame
FACE FRAME MATERIAL:	Solid Wood
SIDES MATERIAL:	Plywood
BOTTOM MATERIAL:	Plywood
TOE KICK INSET WIDTH:	4.5"
BACK PANEL MATERIAL:	Plywood
BACK BRACE MATERIAL:	Solid Wood
FAKE DWR FACE MATERIAL:	N/A
DRAWER FACE MATERIAL:	Solid wood

WARRANTY: 1-Year limited warranty
TITLE IV COMPLIANT: Yes
PROP 65 HARMFUL MATERIAL: Formaldehyde



TYPE: JOB: ORDER CODE: APPROVALS:
