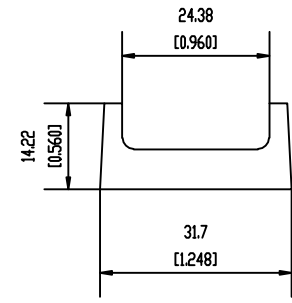
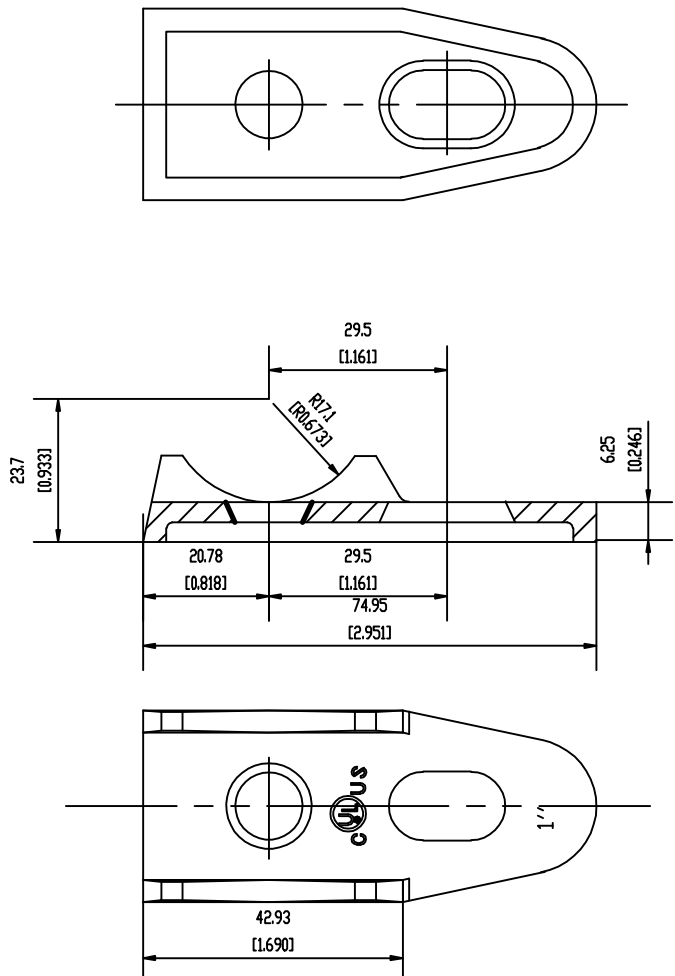
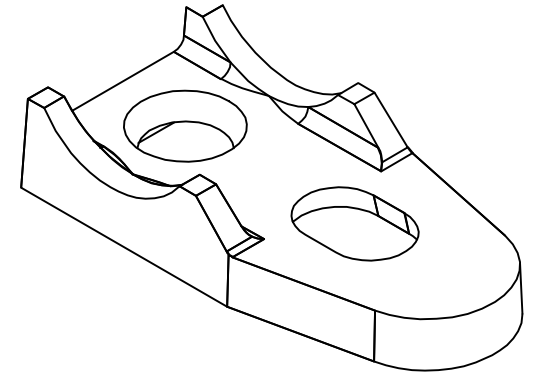


SIDES	BOTTOM
Material:	Malleable Iron



DESCRIPTION	STANDARD PACKING	GARVIN INDUSTRIES	
TRADE REFERENCE TERMS	50PCS	TITLE	
		1'Clamp Back Mall Spacer	
	SIZE	DWG NO.	REV
	A4	DS-CLB-100	A