






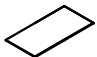


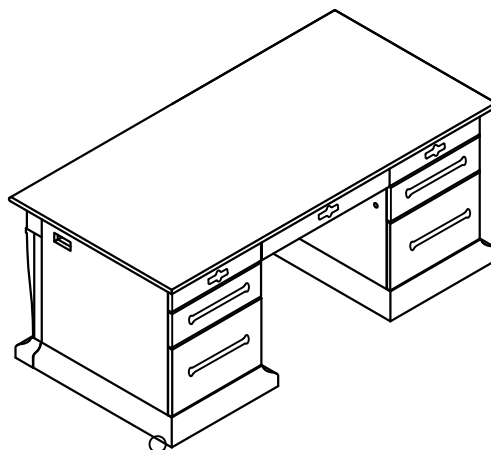


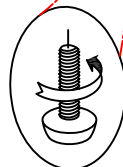
ITEM: 6700-10562-80 Executive Desk

Thank you for purchasing this quality product. Be sure to unpack carefully looking for small parts which may have come loose during shipment.
Read all instruction and study the drawing carefully before starting the assembly process.

HARDWARE LIST					PARTS LIST			
NO.	DRAWING	DESCRIPTION	SIZE	Q'TY	NO.	DRAWING	DESCRIPTION	Q'TY
D		Allen Wrench	73*29*5mm	1PC	1		TOP SIDE DRAWER	2PCS
					2		MIDDLE SIDE DRAWER	2PCS
					3		BOTTOM DRAWER	2PCS
					4		LEFT BASE	1PC
					5		RIGHT BASE	1PC
					6		BACK PANEL	1PC
					7		TOP PANEL	1PC
					8		KEYBOARD DRAWER	1PC
					9		CENTER SECTION	1PC



STEP 1



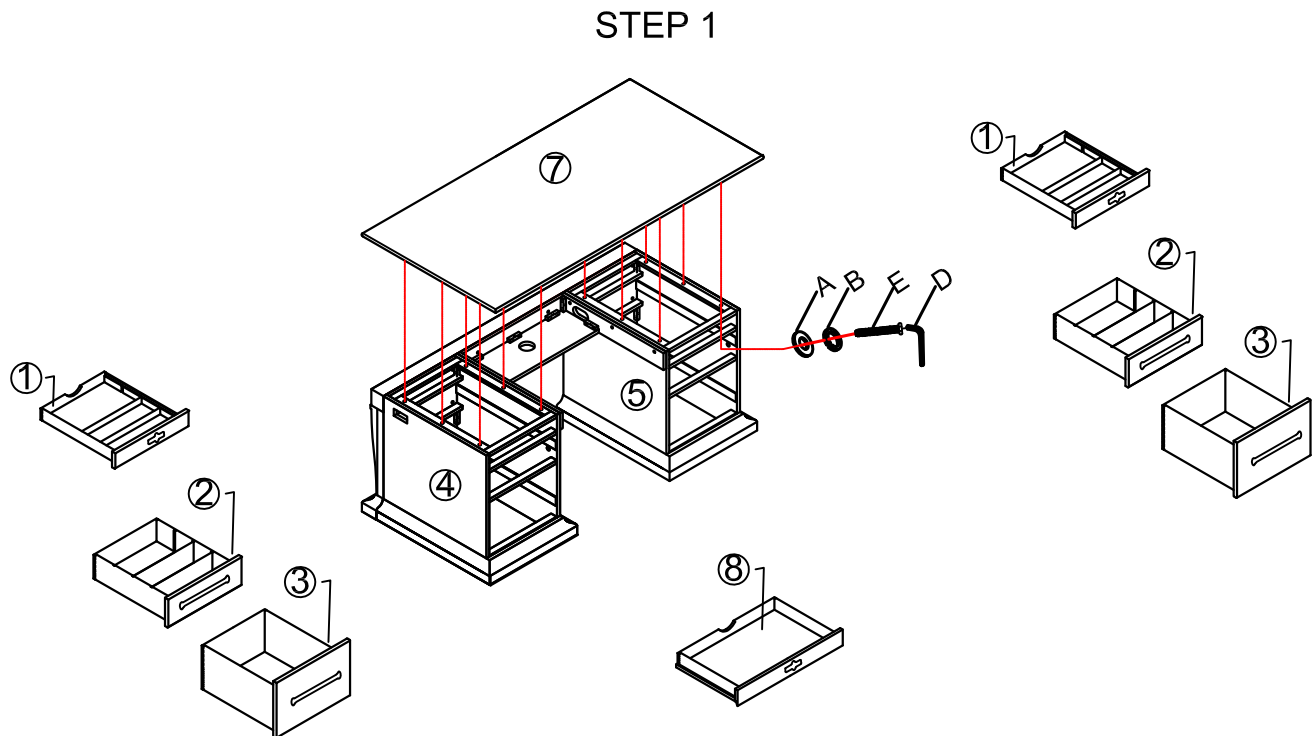
Adjust Leveler if needed to level desk on uneven floor.

Note: Anti-tip kit restraint is provided. Please follow the instructions enclosed with the pack.

ITEM: 6700-10562-80 Executive Desk

Thank you for purchasing this quality product. Be sure to unpack carefully looking for small parts which may have come loose during shipment.
Read all instruction and study the drawing carefully before starting the assembly process.

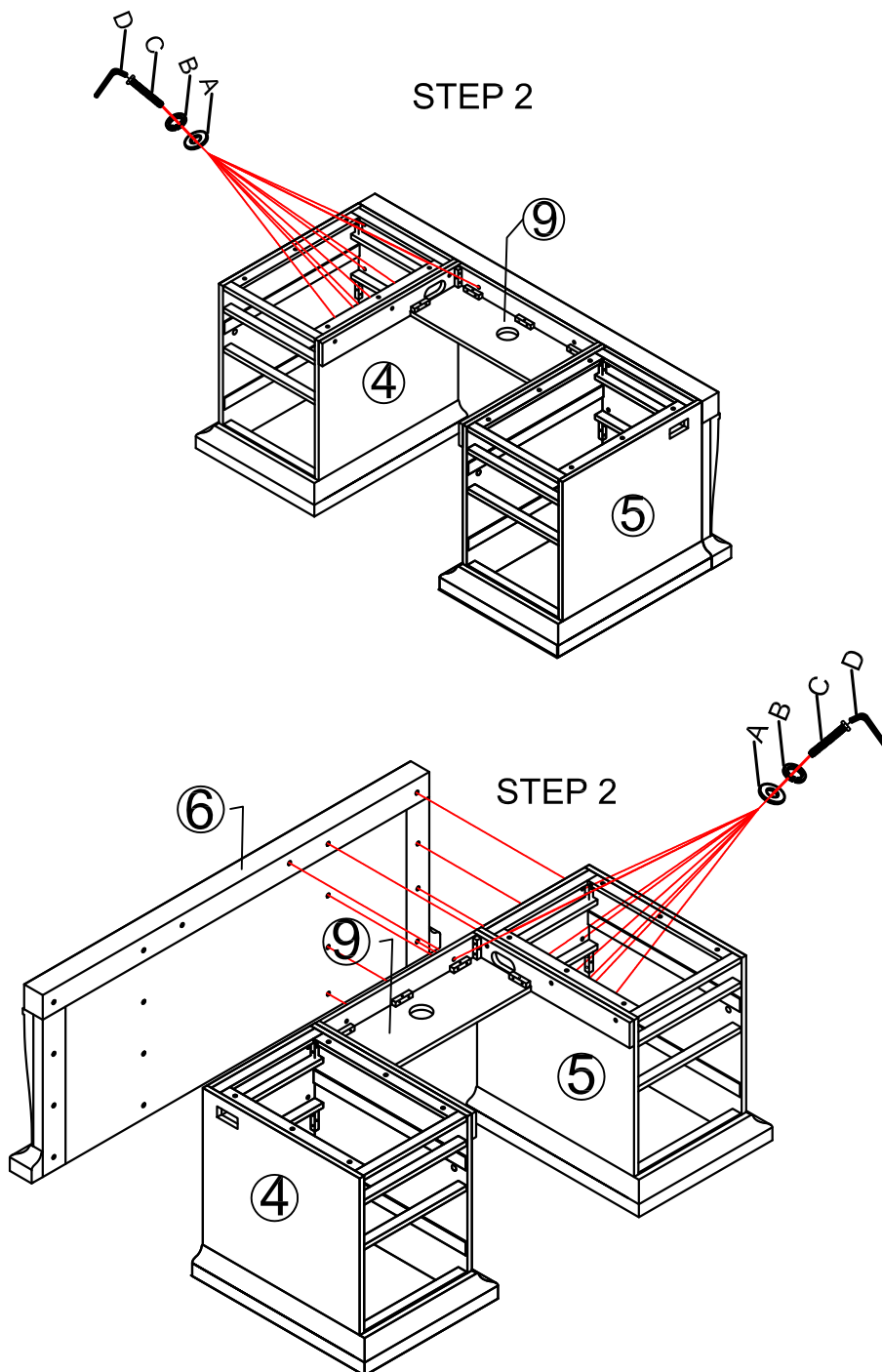
For easier delivery, the desk can be taken apart as shown below.



Step 1: Take out all drawers (1, 2, 3, 8), then loosen bolts (E), lock washers (B), and lock washers (A) on the wood cleats by using allen wrench (D) and remove top panel (7) from the desk.

ITEM: 6700-10562-80 Executive Desk

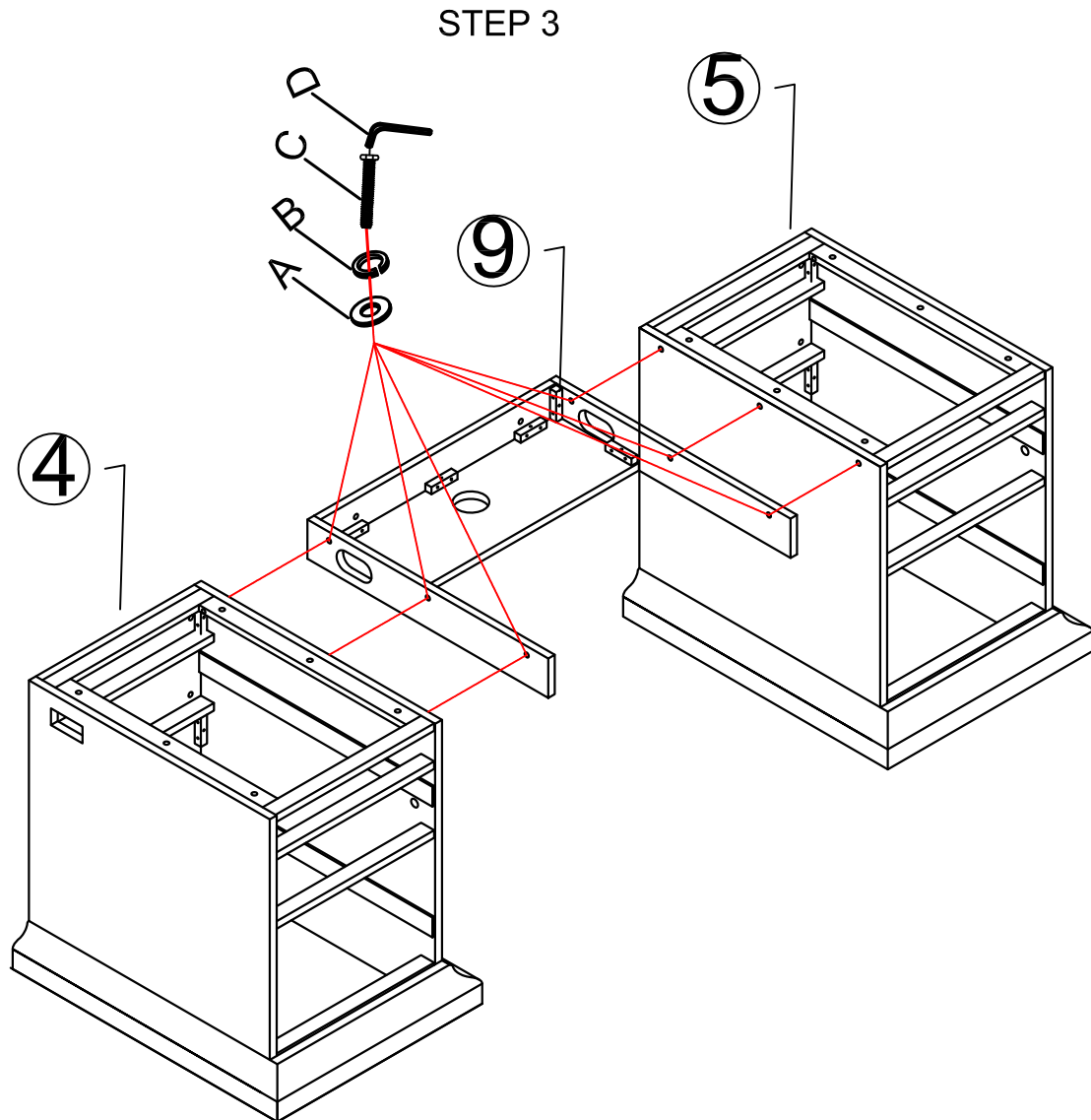
Thank you for purchasing this quality product. Be sure to unpack carefully looking for small parts which may have come loose during shipment.
Read all instruction and study the drawing carefully before starting the assembly process.



Step 2: Loosen bolts (C), lock washers (B) and flat washers (A) by using allen wrench (D), then remove back panel (6) from the desk.

ITEM: 6700-10562-80 Executive Desk

Thank you for purchasing this quality product. Be sure to unpack carefully looking for small parts which may have come loose during shipment.
Read all instruction and study the drawing carefully before starting the assembly process.



Step 3: Loosen bolts (C), lock washers (B) and flat washers (A) by using allen wrench (D) from the left and right bases (4, 5), well remove the center section (9).