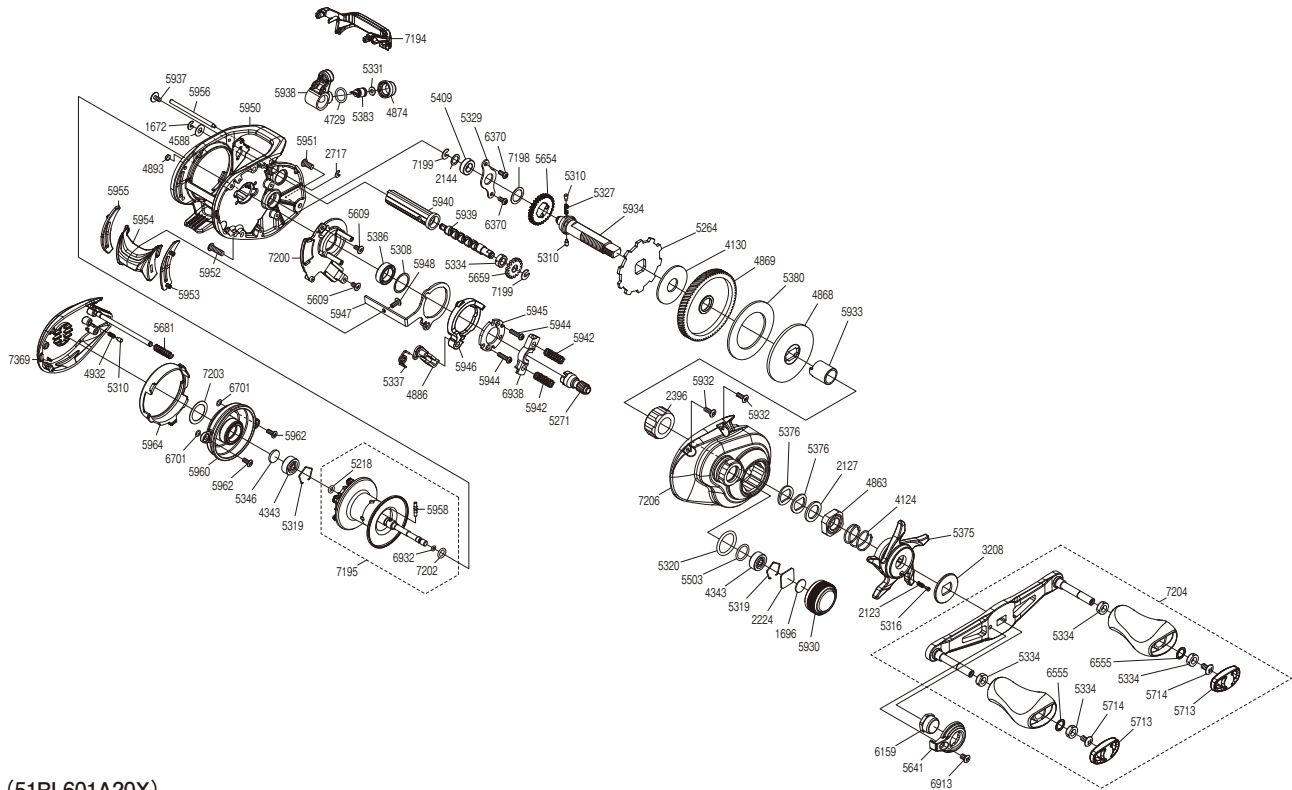


SHIMANO

SLX

SLX150A



(51RL601A20X)

#	Part No.	Description	#	Part No.	Description	#	Part No.	Description
1672	105NC	E Lock	5331	104TX	Spacer	5948	10LF4	Screw
1696	10896	Cast Control Spacer B	5334	10PXZ	Bushing	5950	100MJ	Frame
2123	10BT2	Click Spring	5337	10R1H	Clutch Pawl Spring	5951	100UU	Screw
2127	10J1N	Star Drag Spacer	5346	10EX5	Spacer	5952	100UV	Screw
2144	10C47	Drive Shaft Washer	5375	10R0G	Star Drag	5953	100MH	Clutch Bar Guide B
2224	1085F	Cast Control Spacer A	5376	109F5	Drag Spring Washer	5954	100ML	Clutch Button
2396	10F5C	Roller Clutch Bearing	5380	10R3D	Drag Washer C	5955	100MW	Clutch Bar Guide A
2717	105NB	E Lock	5383	10BHQ	Line Guide Pawl	5956	100UT	Stabilizer Bar
3208	10J22	Star Drag Click Plate	5386	10EX6	Ball Bearing	5958	10P67	Spool Clutch Pin
4124	10A70	Star Drag Spring	5409	10DQF	Drive Shaft Bushing	5960	13X9B	Dial Case
4130	10CHX	Drag Washer A	5503	101GT	O Ring	5962	100UL	Screw
4343	105C3	Ball Bearing	5609	10LCT	Screw	5964	100UQ	Left Side Plate Cam Lever
4588	10FJZ	Washer	5641	10SSK	Handle Nut Plate	6159	10E67	Handle Nut
4729	108WQ	O Ring	5654	101K8	Idle Gear A	6370	10E23	Screw
4863	10A3T	Star Drag Nut	5659	10SRL	Idle Gear C	6555	104FH	Washer
4868	10D3H	Key Washer	5681	10KNH	Spring	6701	10CFU	Spacer
4869	10CMB	Drive Gear	5713	10SS2	Handle Knob Seal	6913	10DV5	Screw
4874	10FJB	Pawl Cap	5714	10LFA	Screw	6932	100BH	O Ring
4886	10MME	Clutch Pawl Assembly	5930	10TZQ	Cast Control Cap	6938	10S8M	Yoke
4893	108PY	Washer	5932	10LCY	Screw	7194	13XF4	Level Wind Protector
4932	10GQZ	Click Spring	5933	100UC	Roller Clutch Inner Tube	7195	13XF9	Spool Assembly
5218	10EZ7	O Ring	5934	100UP	Drive Shaft	7198	10GR3	Washer
5264	10D73	Anti-reverse Ratchet	5937	100U4	Screw	7199	105NK	E Lock
5271	10CSA	Pinion Gear	5938	10DUG	Line Guide Assembly	7200	13XF6	Clutch Guard
5308	10190	Washer	5939	100U6	Worm Shaft	7202	10TM7	O Ring
5310	10HJG	Idle Gear Pin	5940	100UF	Level Wind Guard	7203	13XEV	Washer
5316	10MFC	Click Pin	5942	100U9	Yoke Spring	7204	13XF4	Handle Assembly
5319	1054D	Bearing Retainer	5944	10LV0	Screw	7206	13XF2	Right Side Plate
5320	10R22	O Ring	5945	100US	Clutch Cam Retainer	7369	13ZPJ	Left Side Plate
5327	10JDY	Idle Gear Spring	5946	100UK	Clutch Cam			
5329	109T1	Drive Shaft Retainer	5947	100UG	Clutch Plate			

Please note that the number of adjusting washers may not be the same as shown in the exploded views.
(Adjustment will vary with each individual product.)

(230706)_004