

# ANZZI™

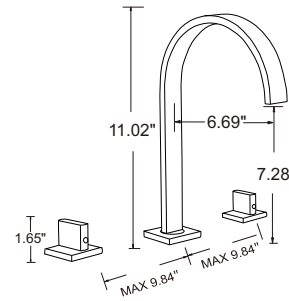
**L-AZ183CH  
L-AZ183BN  
L-AZ183ORB**

**THREE HOLES BATHROOM VESSEL FAUCET  
SOLID BRASS  
CERAMIC CARTRIDGE  
FLOW RATE:1.2GPM  
LIMITED LIFETIME WARRANTY:**

**HAVE QUESTIONS?  
Call us at 1-844-44-ANZZI or visit [www.ANZZI.com](http://www.ANZZI.com)**



**NSF/ANSI 61  
NSF/ANSI 372**



## PREPARATION

**MAKE SURE TO SHUT OFF THE WATER FLOW FROM YOUR HOT AND COLD SUPPLY LINES.**

**MAKE SURE YOUR MOUNTING HOLE IS CUT TO SIZE.**

Make sure your counter is no more than 1.18" thick.

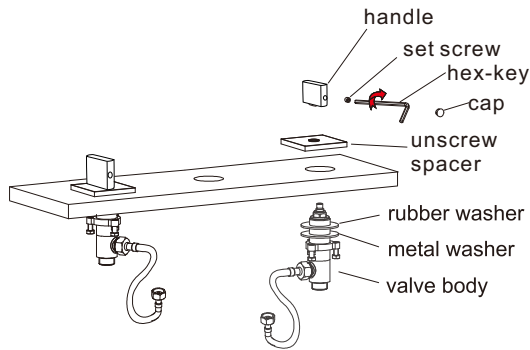
The mounting holes should be 1.38" in diameter.

The center of each hole no more than spaced 9.84" apart.



## ITEMS YOU MAY NEED.

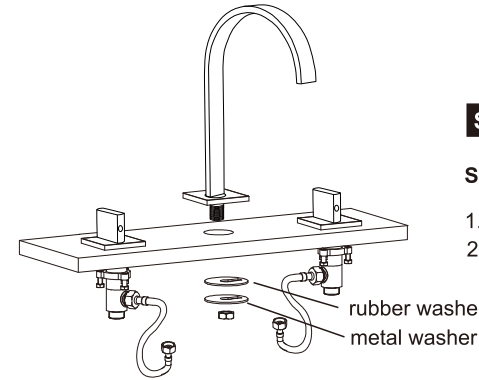
**NEED HELP?** Give us a call at 1-844-44-ANZZI or visit us online at [www.ANZZI.com](http://www.ANZZI.com).



## STEP 1

### Handle installation

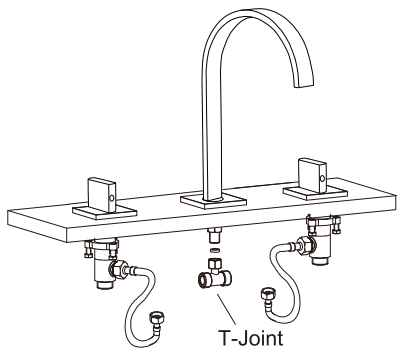
1. Use provided hex-key to loosen set screw.
2. Remove handle and unscrew spacer from valve body.
3. Place handle onto cartridge in desired position and tighten set screw with hex-key. Cover handle hole with hot/cold cap.



## STEP 2

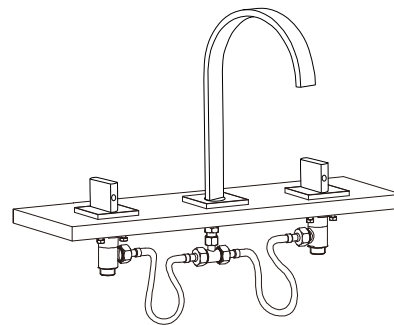
### Spout installation

1. Disassemble the spout.
2. Place rubber washer, metal washer and nut in order and secure the nut.



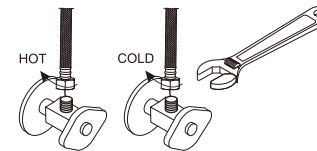
## STEP 3

Connect and tighten the T-Joint to the shank.



## STEP 4

Connect hoses from valve body to the T-Joint.



## STEP 5

1. Connect the flexible hose (not included) to water supply valve (not included), and tighten it with adjustable wrench.

### **DON'T OVER TIGHTEN!**

Caution: make sure to connect the hot and cold flexible hoses to supply valves correctly.

### **Warning:**

**Supply valves and flex hoses not included. Purchased separately.**