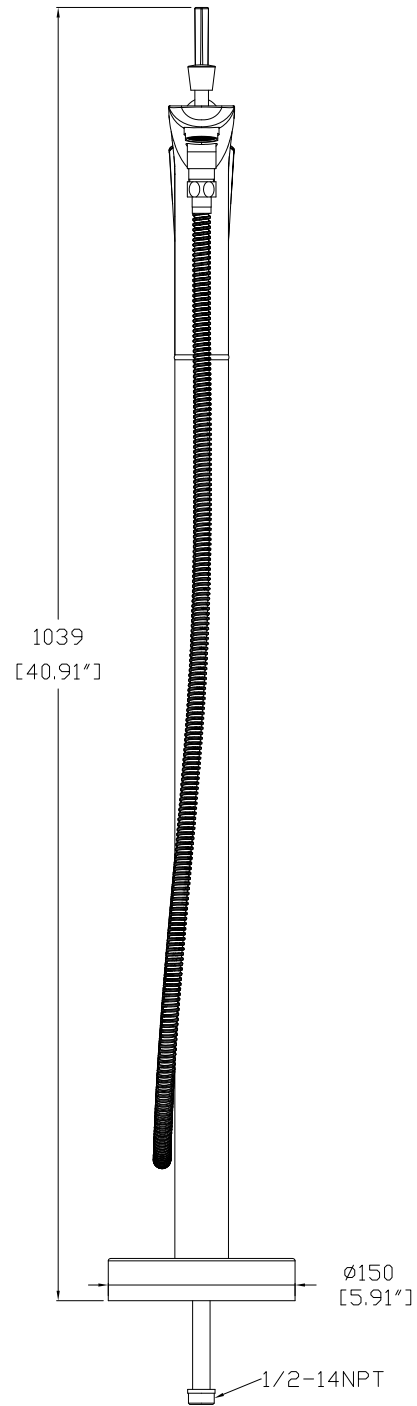
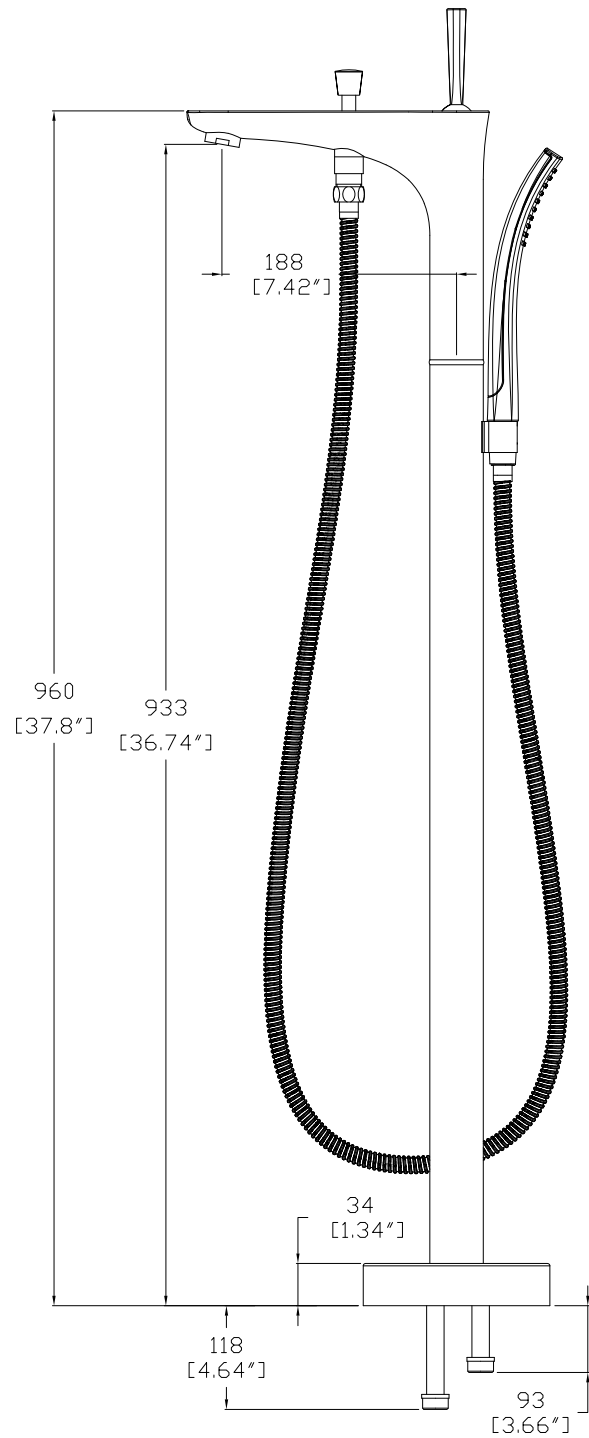


32	T90378AG-32	HOSE	1	VARIOUS	
31	T90378AG-31	CHECK VALVE	1	VARIOUS	
30	T90378AG-30	SHOWER	1	VARIOUS	
29	T90378AG-29	INLET (COLD)	1	VARIOUS	
28	T90378AG-28	INLET (HOT)	1	VARIOUS	
27	T90378AG-27	BASE SEAT	1	BRASS	
26	T90378AG-26	BASE SEAT	1	BRASS	
25	T90378AG-25	WASHER	4	SUS	
24	T90378AG-24	GASKET	4	SUS	
23	T90378AG-23	SCREW	4	SUS	
22	T90378AG-22	ESCUTCHEON	1	BRASS	
21	T90378AG-21	GASKET	1	NBR	
20	T90378AG-20	PIPE	1	BRASS	
19	T90378AG-19	HOLDER	1	BRASS	
18	T90378AG-18	SCREW	1	SUS	
17	T90378AG-17	O-RING	1	NBR	
16	T90378AG-16	BASE SEAT	1	BRASS	
15	T90378AG-15	RING	1	BRASS	
14	T90378AG-14	CARTRIDGE	1	VARIOUS	
13	T90378AG-13	RETAINER	1	BRASS	
12	T90378AG-12	O-RING	1	NBR	
11	T90378AG-11	COVER	1	BRASS	
10	T90378AG-10	HANDLE	1	ZN	
9	T90378AG-09	ADAPTER	1	BRASS	
8	T90378AG-08	CHECK VALVE	1	VARIOUS	
7	T90378AG-07	WASHER	1	NBR	
6	T90378AG-06	DIVERTER	1	VARIOUS	
5	T90378AG-05	TIP	1	BRASS	
4	T90378AG-04	BODY	1	BRASS	
3	T90378AG-03	WASHER	1	NBR	
2	T90378AG-02	FLOW REGULATOR	1	VARIOUS	
1	T90378AG-01	HOUSING	1	BRASS	
NO.	Drawing No.	Part Description	Quantity	Material	Remark

FS-AZ0029

For more information visit
www.ANZZI.com or call 1-844-44-ANZZI



UNIT:
mm[inch]

