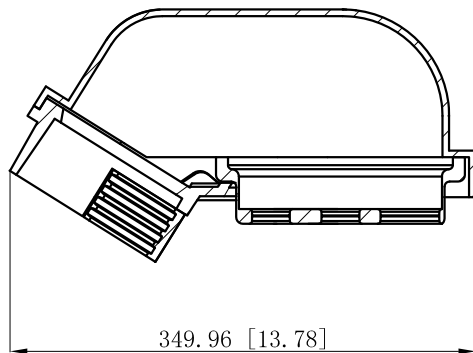
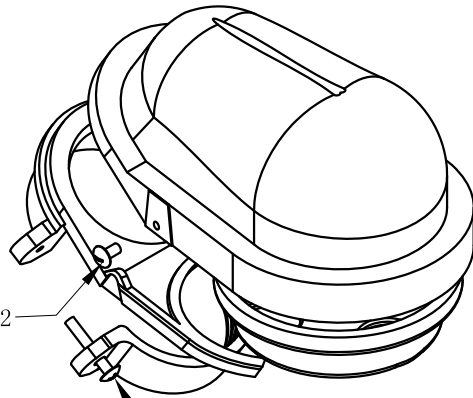


SIDES	BOTTOM
2 PCS 5/16-18×5/8 Screws Installed	
2 PCS 5/16-18×2 Screws Installed	
Material:Aluminum-A380 Shot Blasting	

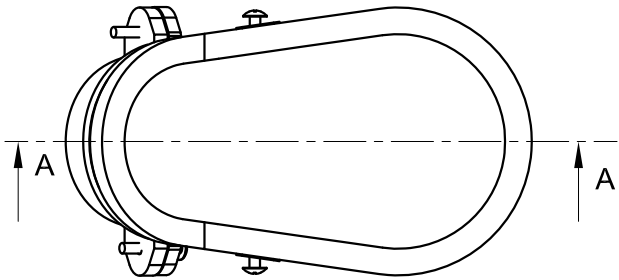
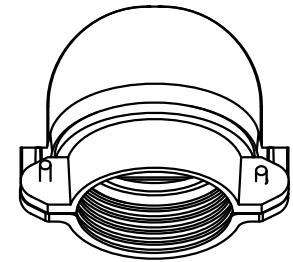
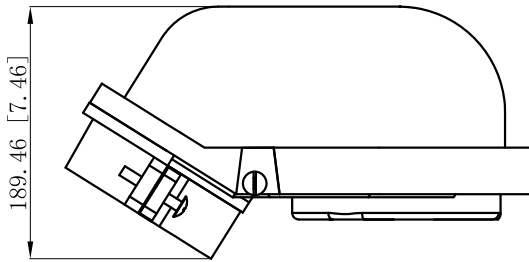
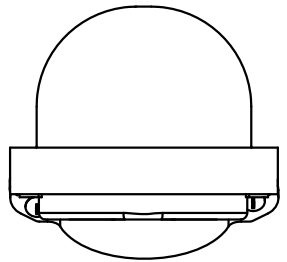


CUTAWAY VIEW A-A



#5/16-18 UNC, x2

#5/16-18 UNC, x2



This data sheet is for reference only .GARVIN INDUSTRIES reserves the right to make changes to the design without prior notice.

DESCRIPTION
TRADE REFERENCE TERMS

STANDARD PACKING
2 PCS

GARVIN INDUSTRIES		
TITLE SERVICE ENTRANCE CAPS		
SIZE A4	DWG NO. SEC400	REV
DATA SHEET		