



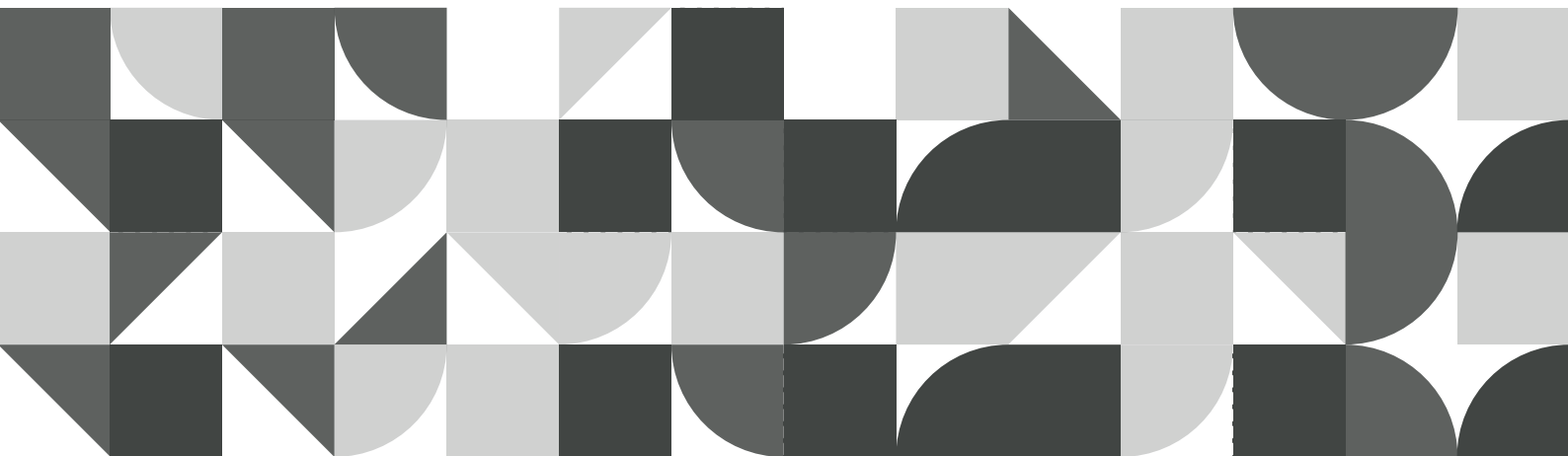
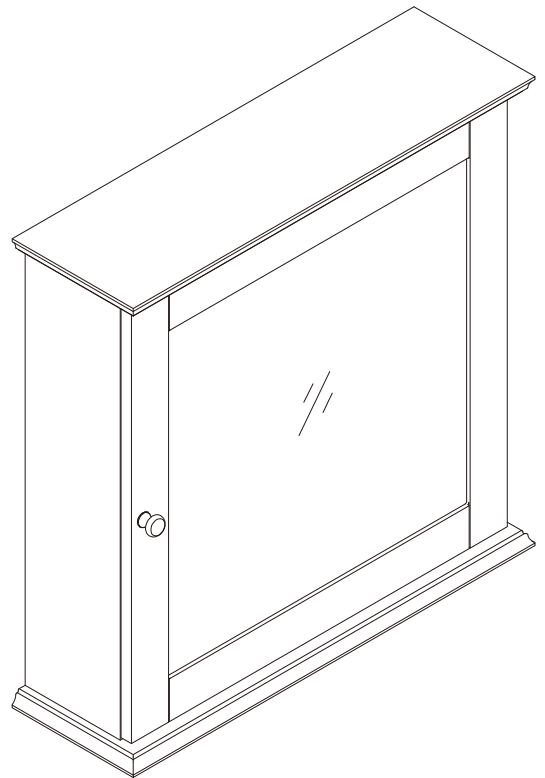
Extended Warranty
Sign Up

E-1

Welcome home!

6193

TEAMSON HOME
Medicine Cabinet,
1 Glass Door





**Questions? Comments? Need help?
Call or email us any time!**

Global Customer Service

USA

+1(800)935-3959

Mon - Fri 10:00am ~ 2:00pm EST

✉ support@teamson.com

EU/UK

+44(0)1952-916-050

Mon - Thu 9:00am ~ 5:00pm GMT

Friday 9:00am ~ 4:00pm GMT

✉ support@teamson.co.uk

ASIA

深圳办公室:

+86(0755)8885-3558.分机号331

Mon - Sat 9:00am ~ 5:00pm GMT+8

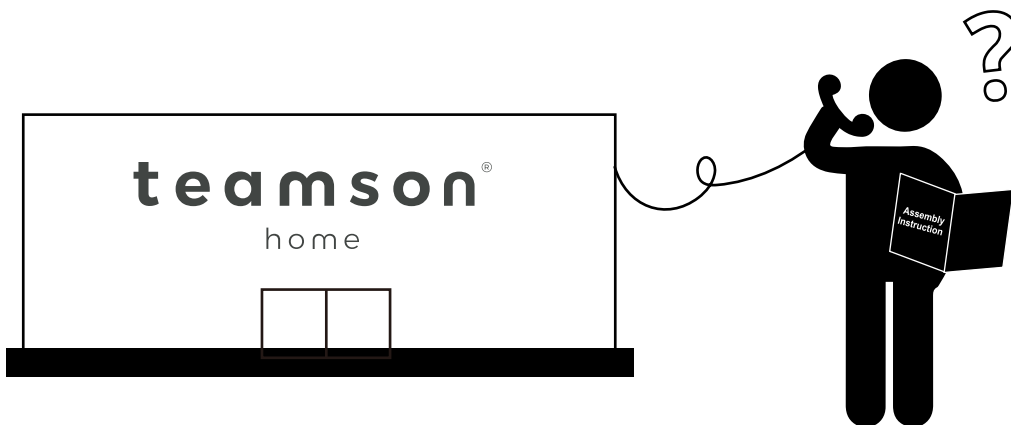
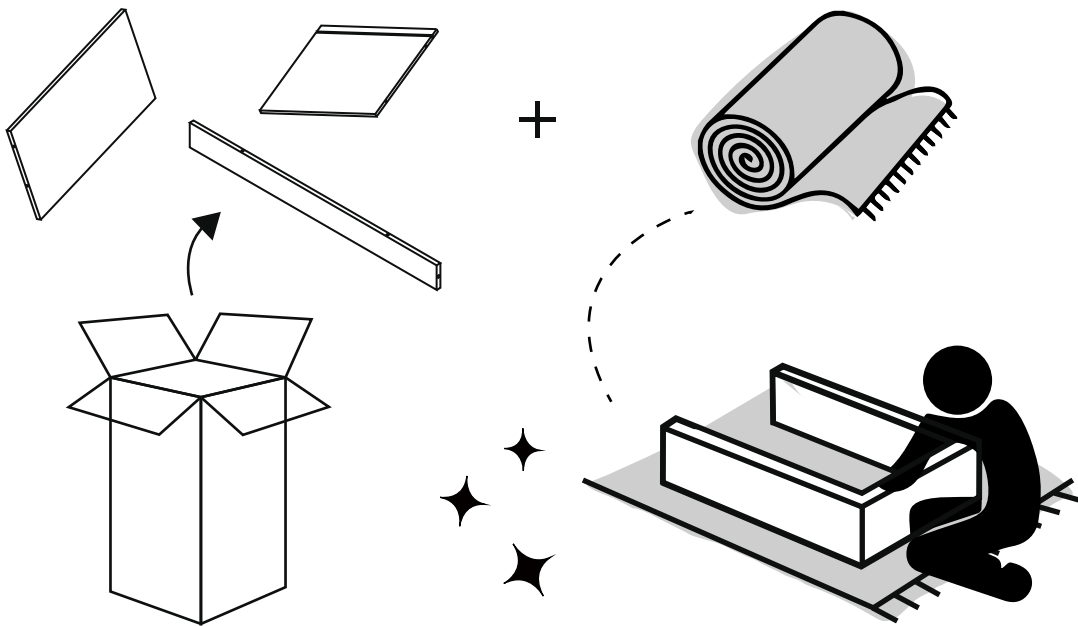
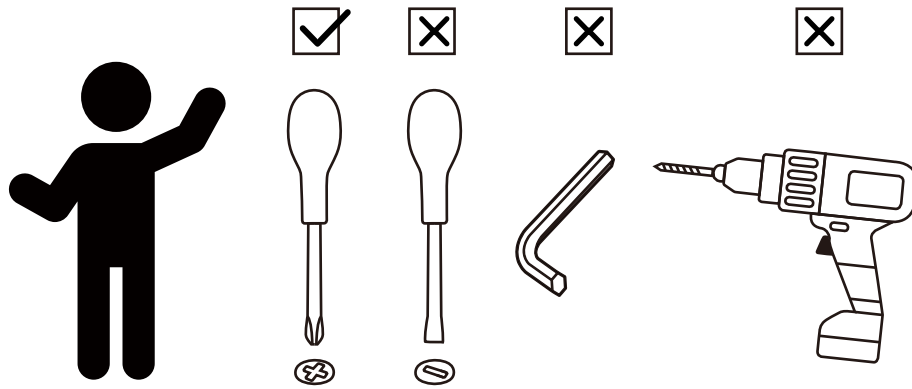
✉ sales_ec@teamson.com

台北办公室:

+886(2)2556-6268

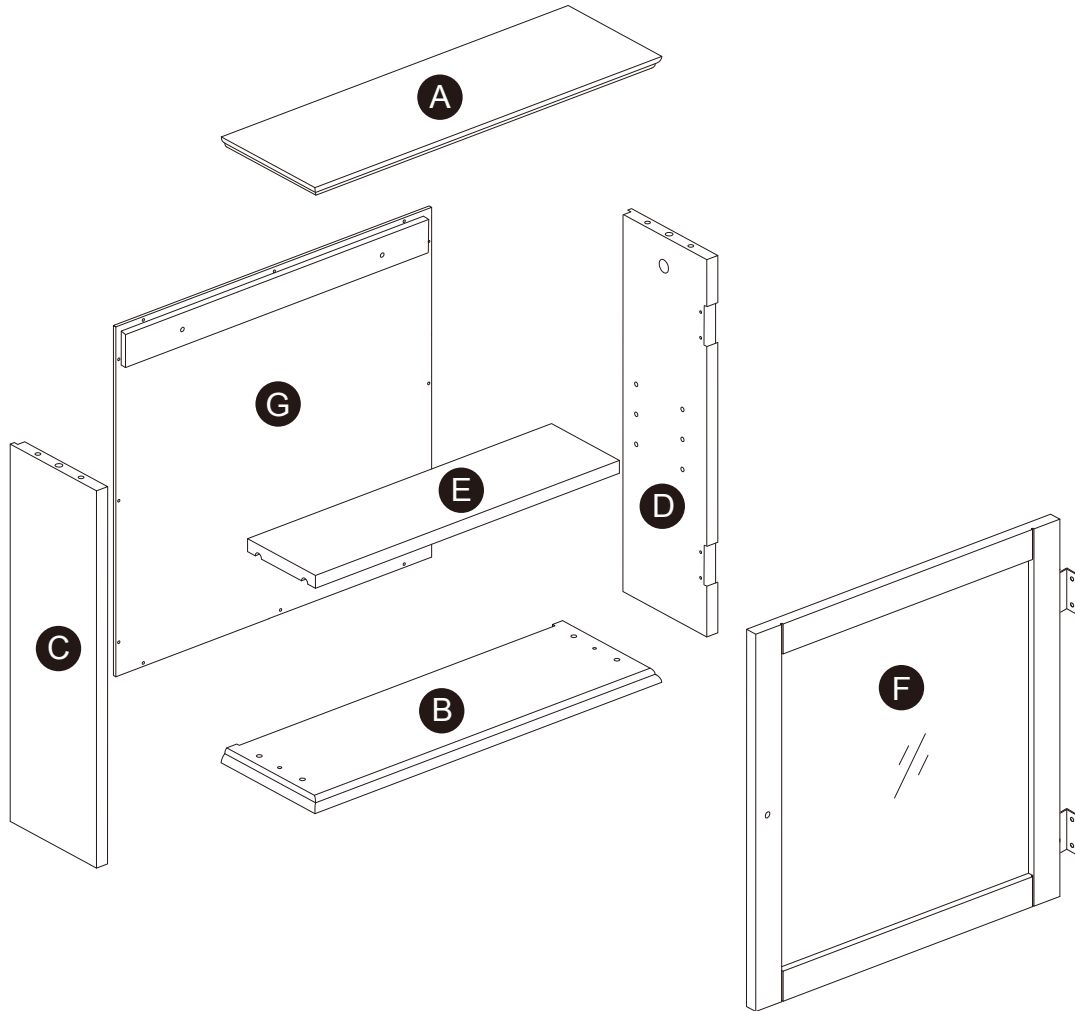
Mon - Fri 9:00am ~ 5:00pm GMT+8

✉ sales_ec@teamson.com



** Got questions? Please have your product code (on the first page of this instruction, e.g. TD-12345A) and the order number ready, give us a call or email us through our customer care support! We are always ready to assist you!

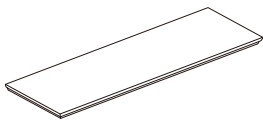
Exploded Drawing



Scan for assembly instructions.

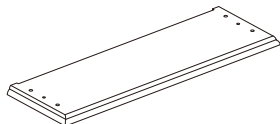
Product Parts

A



1 PC

B



1 PC

C



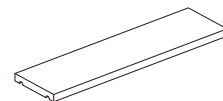
1 PC

D



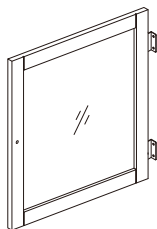
1 PC

E



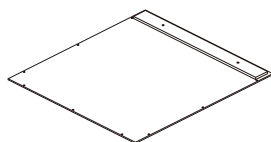
1 PC

F



1 PC

G



1 PC

! Care Instructions

Dust surface with a dry soft cloth. Do not use window cleaners or cleaning abrasives as they will scratch the surface and could damage the protective coating

! WARNING

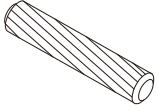
Small parts and sharp edges may be present prior to assembly.



Scan for assembly instructions.

Hardware

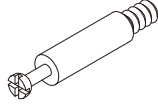
1



Ø6*30mm

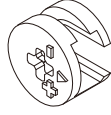
8 PCS

2



2 PCS

3



Ø15*9

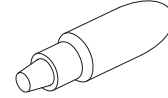
2 PCS

4



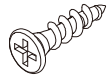
2 PCS

5



1 PC

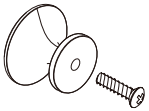
6



Ø3*10mm

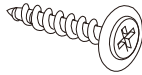
4 PCS

7



1 SET

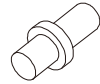
8



Ø3*12 D=7

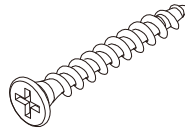
12 PCS

9



4 PCS

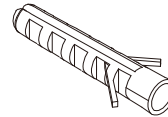
10



Ø4*45mm

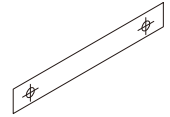
4 PCS

11



2 PCS

12



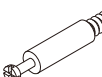
1 PC




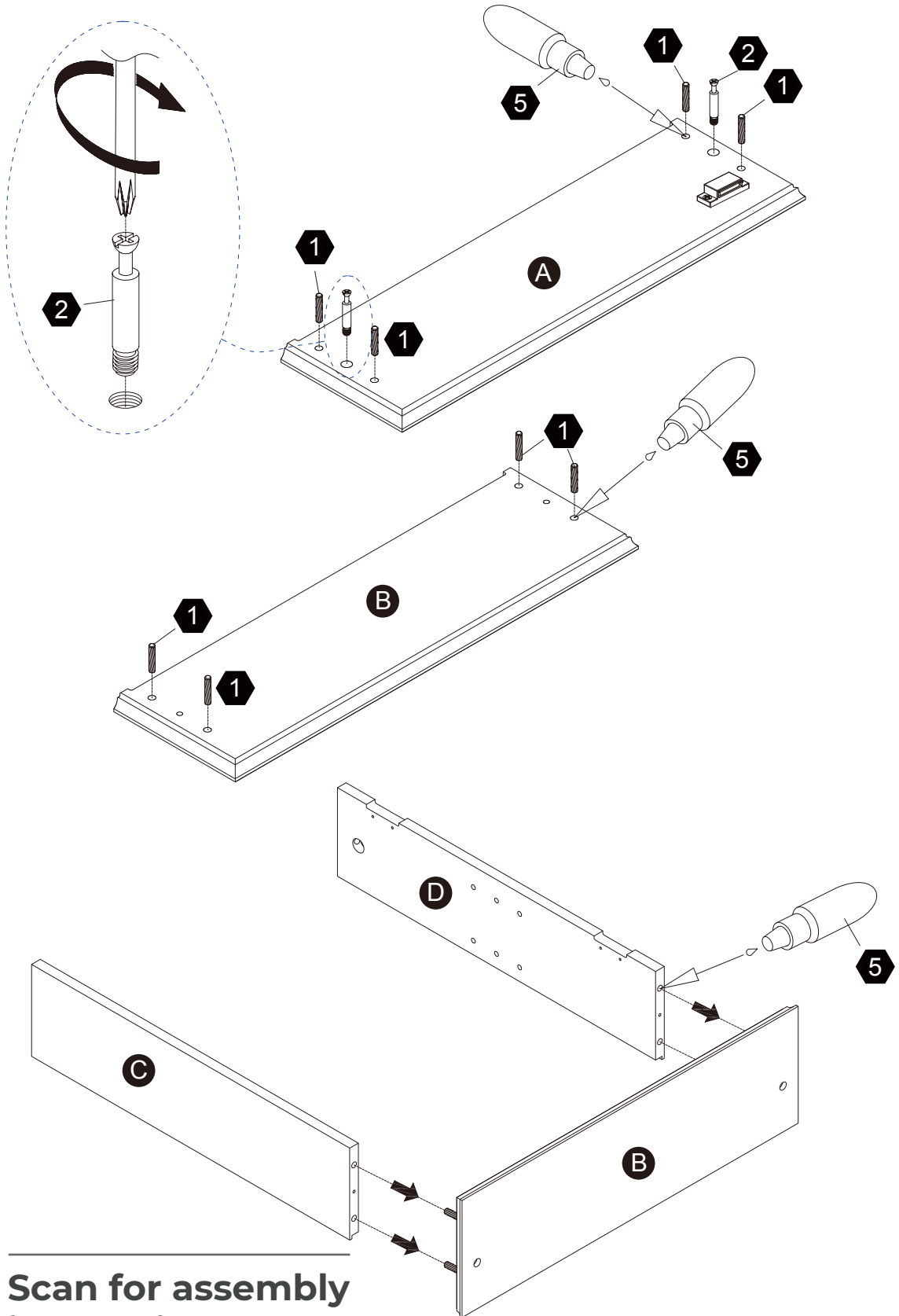
Scan for assembly instructions.

Step 1

1  8 pcs
Ø6*30mm

2  2 pcs

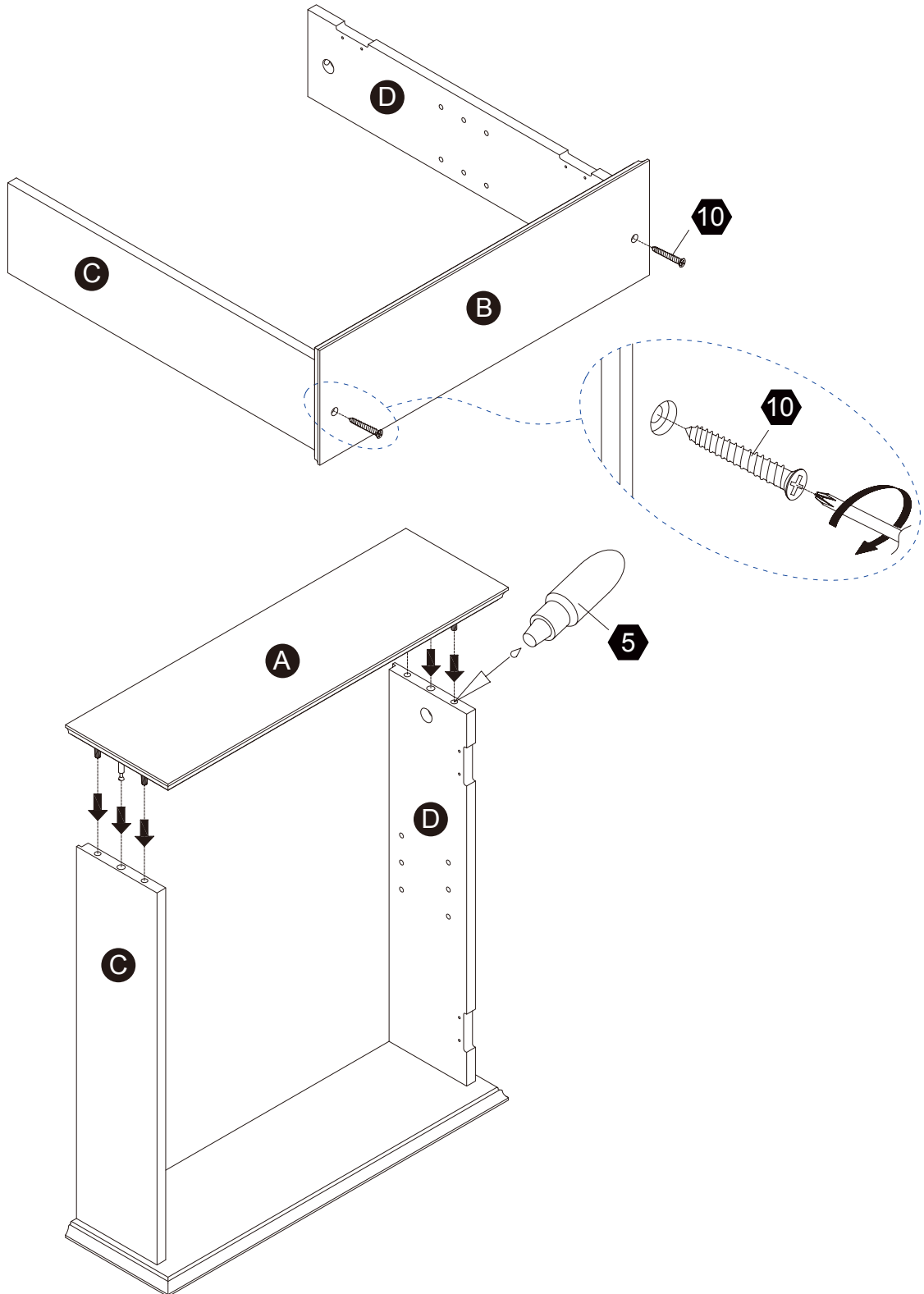
5  1 pc



Scan for assembly instructions.

Step 2

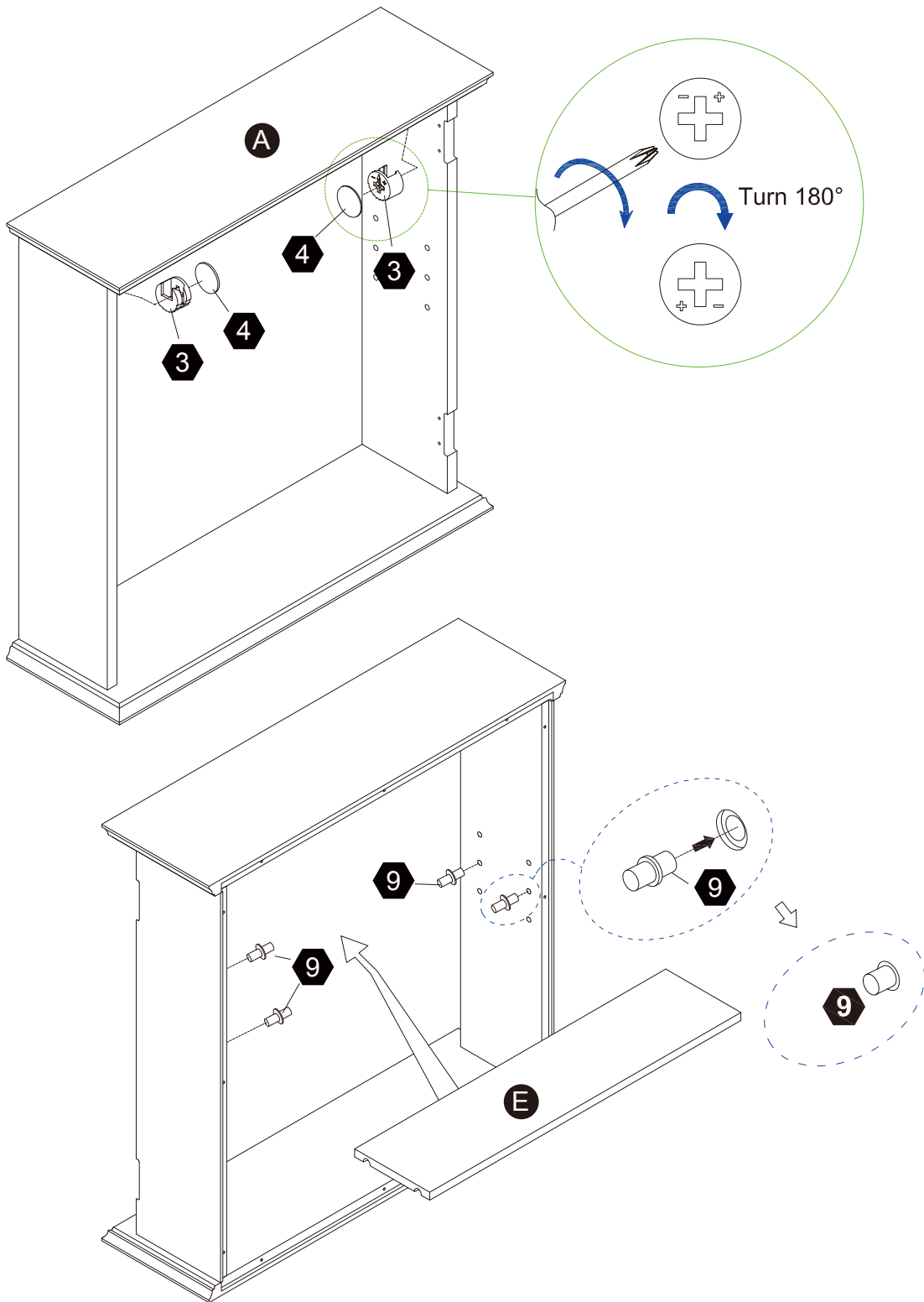
5 1 pc 10 Ø4*45mm 2 pcs



Scan for assembly instructions.

Step 3


- 3**  $\varnothing 15 \times 9$ 2 pcs
- 4**  2 pcs
- 9**  4 pcs

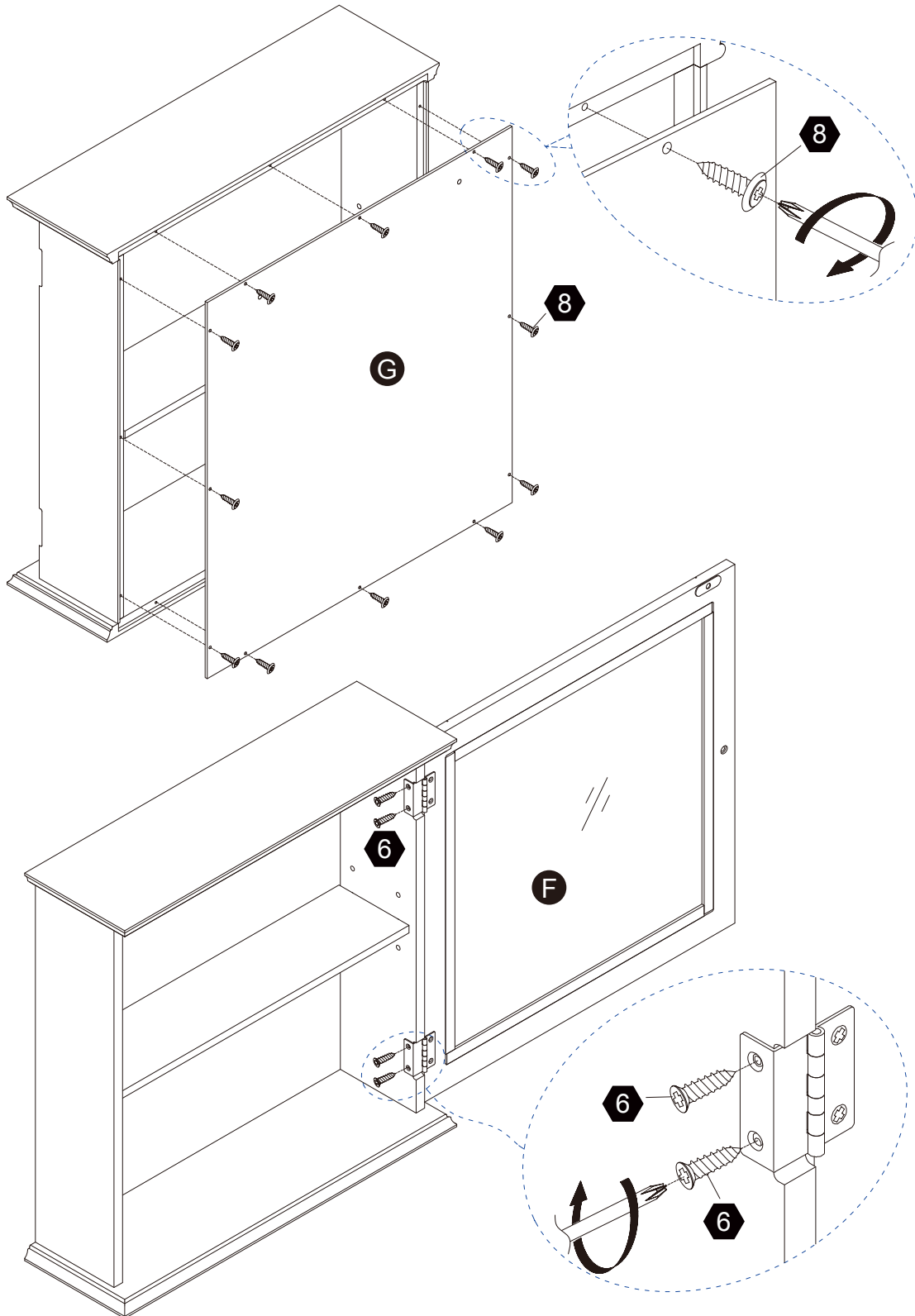


Scan for assembly instructions.

Step 4

6  4 pcs $\text{Ø}3 \times 10\text{mm}$

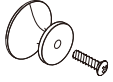
8  12 pcs $\text{Ø}3 \times 12 \text{ D}=7$



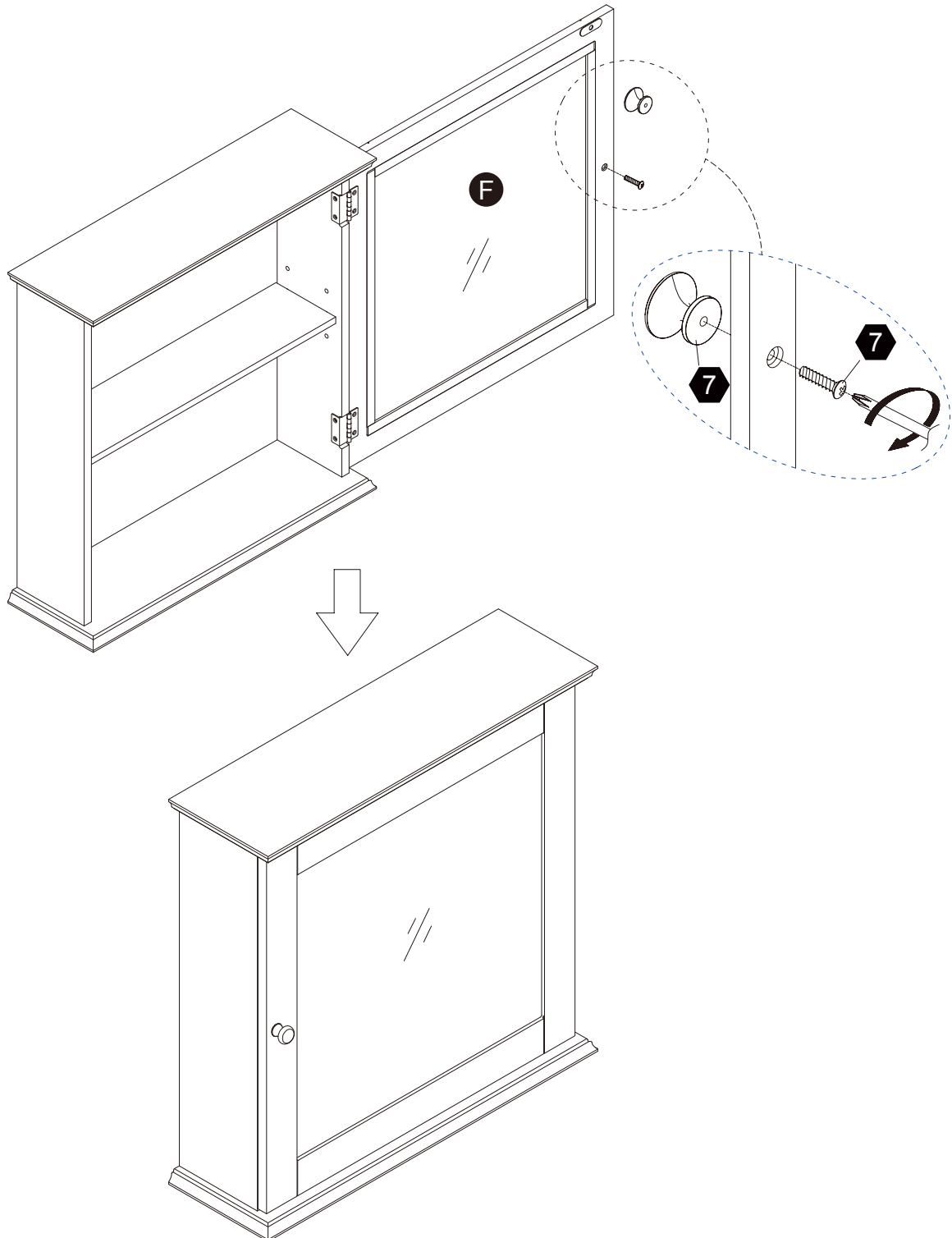
Scan for assembly instructions.

Step 5

7

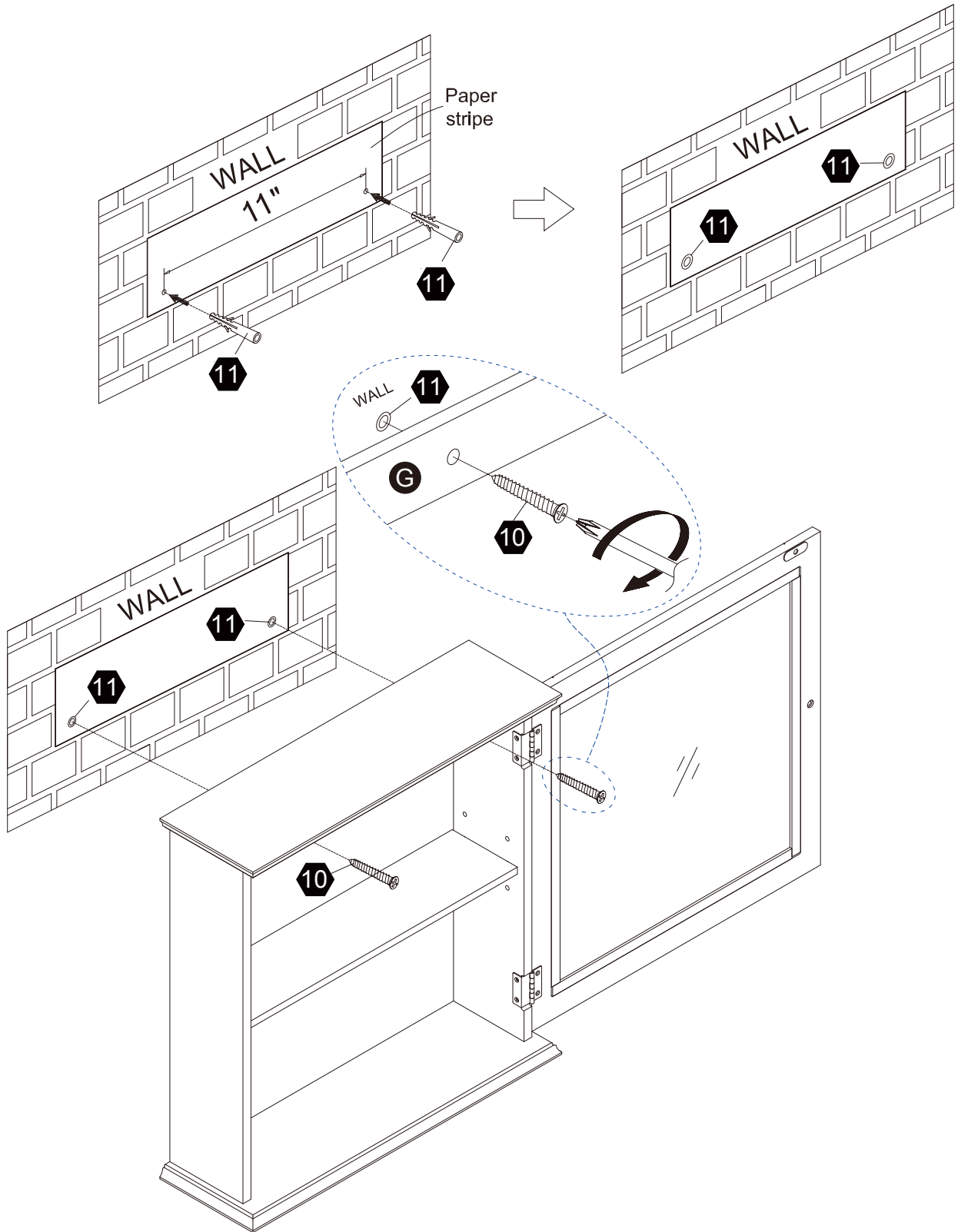


1 SET



Scan for assembly instructions.

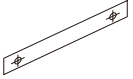
Step 6



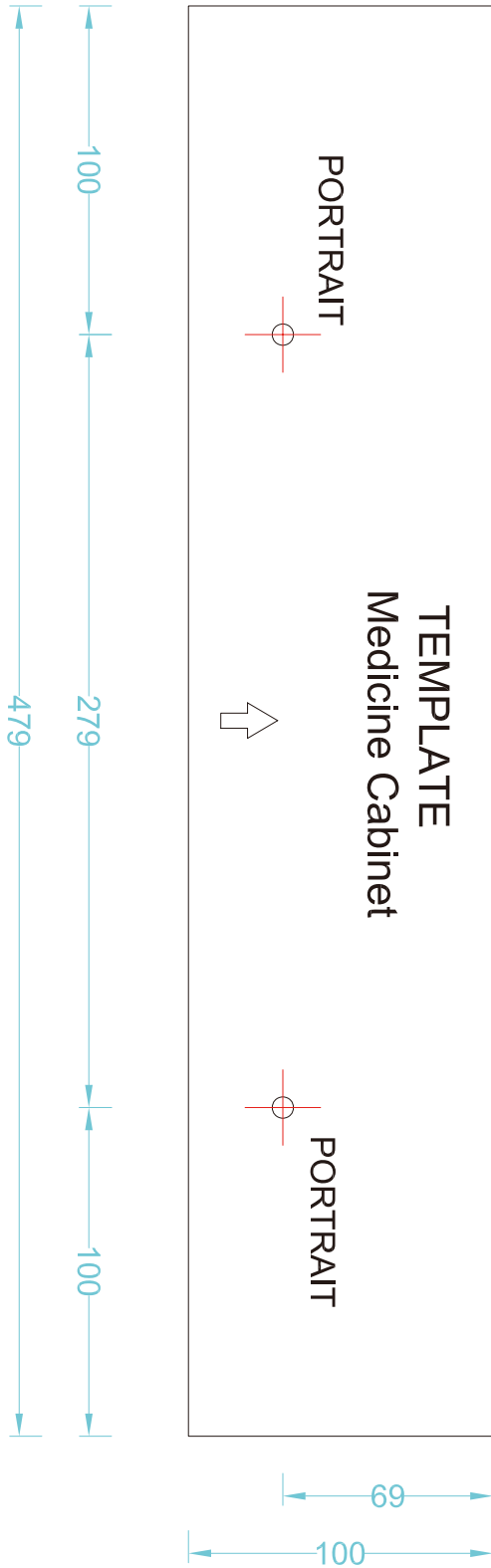
Scan for assembly instructions.

Step 7

12



1 pc



Scan for assembly instructions.