

Installation and Care Guide

Lighted Medicine Cabinet

Français, page "Français-1"
Español, página "Español-1"

THE BOLD LOOK
OF **KOHLER**®

1337913-2-A

IMPORTANT SAFETY INSTRUCTIONS

Read all instructions before using or installing this product.



WARNING: When using electrical products, basic precautions should always be followed, including the following:



WARNING: Risk of electric shock. Grounding is required for the outlets within the power bar. Connect only to a circuit protected by a Class A Ground-Fault Circuit-Interrupter (GFCI)*, which protects against line-to-ground shock hazard. Use a 120 V, 15 A service.



WARNING: Risk of electric shock. A qualified electrician must route all electrical wiring for the product. Improper installation will create an electrical hazard and may not comply with local building and electrical codes.



WARNING: Risk of electric shock. Turn the electricity off at the circuit breaker or fuse box before moving, testing, cleaning, or repairing this product. When unplugged, the electric supply will no longer be electrically live, which will eliminate the risk of electric shock.



CAUTION: Risk of electric shock. Risk of electric shock. Electrical wiring may need to be relocated.

NOTICE: Follow all local building, electrical, and plumbing codes.

IMPORTANT! A dimmer switch is required. This product is compatible with most residential dimmer switches intended for incandescent and dimmable LED bulbs. For optimal dimming performance, a programmable digital fade dimmer switch intended for LED lighting with a minimum rating of 150 W is recommended.

*Outside North America, this device may be known as a Residual Current Device (RCD).

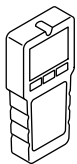
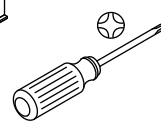
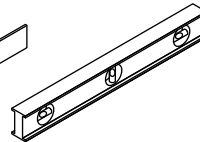
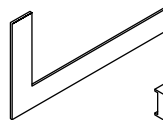
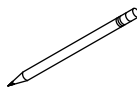
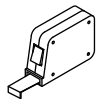
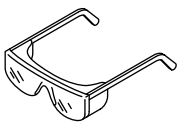
Specifications

Electrical Service

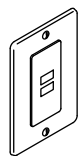
Light

120 V, 60 Hz, 0.4 A

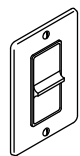
Tools and Materials



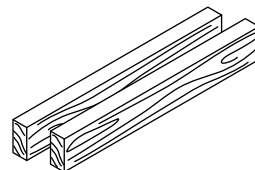
Stud Finder



GFCI/RCD Receptacle



Dimmer Switch



2x4 Lumber (Recess-Mount Only)

Plus:

- Wire Cutter/Stripper
- Assorted Drill Bits
- Framing and Drywall Tools
- Framing and Drywall Fasteners

Before You Begin



CAUTION: Risk of personal injury. Medicine cabinets are very heavy. Get assistance lifting the cabinet.



CAUTION: Risk of electric shock. For surface-mount installation, side mirror kit K-99012 or wood kit K-99675 is required to enclose exposed electrical wiring.

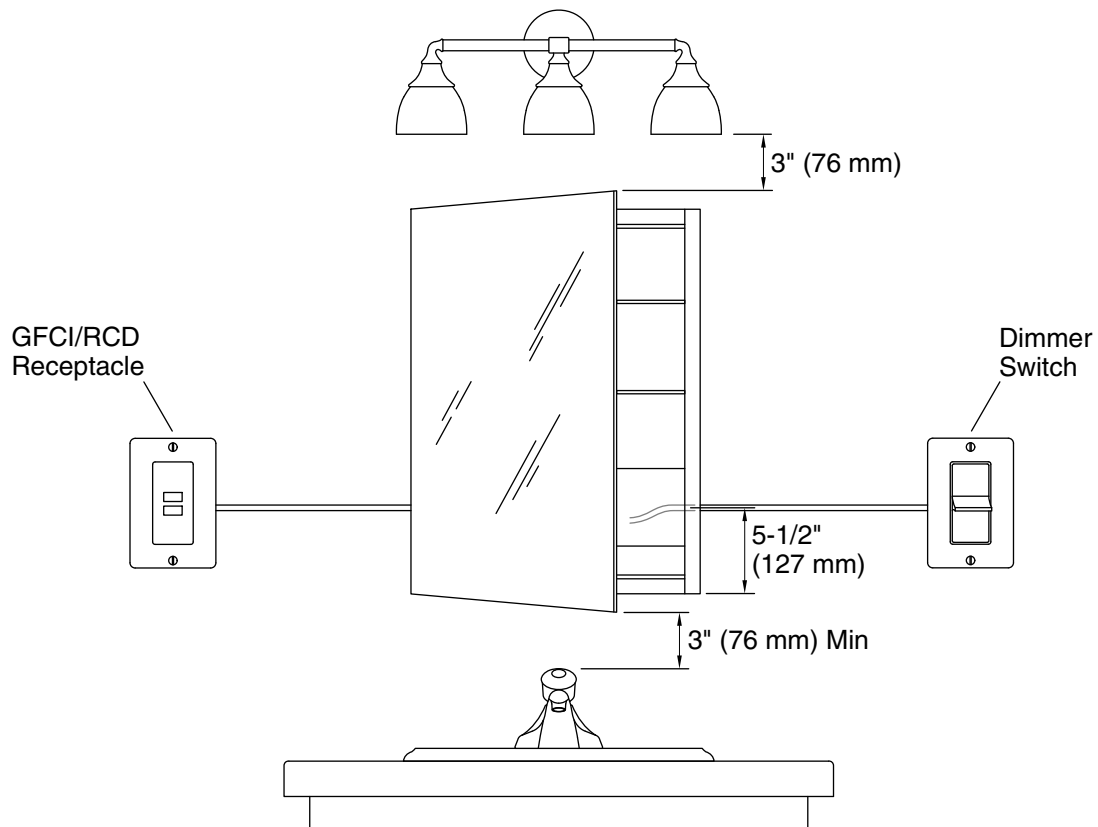
NOTICE: Risk of property or product damage. The location of the cabinet is critical. Make sure that the door will clear all obstacles (such as a faucet or light fixture). Ensure that any obstacles behind the finished wall will not be damaged during the cutting and/or drilling process.

IMPORTANT! Reroute any electrical wires or water supply piping from the wall cavity. If you encounter drain or vent piping or if your wall is load-bearing, consult a professional before proceeding.

IMPORTANT! The cabinet is designed for either right or left door swing (except K-99011-TLC).

NOTE: Recessed-Mount Installation: The wall cavity must be framed. The cabinet must be secured to the framing studs.

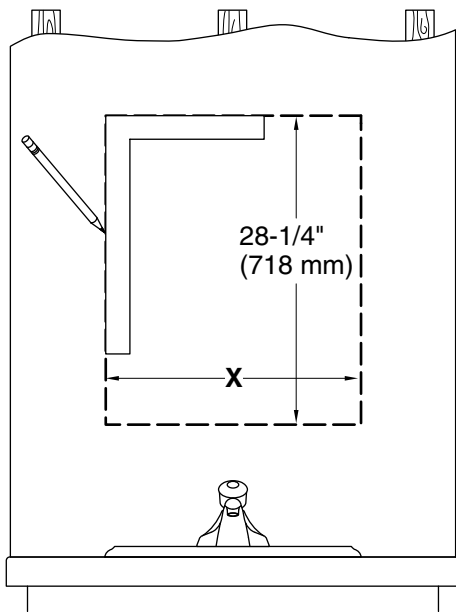
- Observe all local building codes.
- This medicine cabinet is for recessed- or surface-mount installations. Follow the instructions that apply to your chosen installation.
- The appearance of your medicine cabinet may differ from the medicine cabinet illustrated. The installation steps still apply.
- This installation is easiest when performed by two people.
- When determining the height of the product, verify that the doors will clear all obstacles (such as a faucet or light fixture). A minimum distance of 3" (76 mm) is required.



Roughing-In

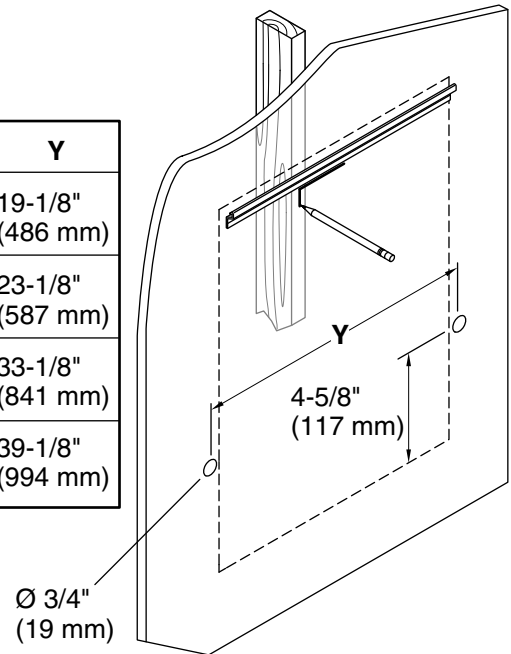
- When determining the height of the product, verify that the door will clear all obstacles (such as a faucet or light fixture). Provide a minimum distance of 3" (76 mm).
- Plan for the location of the dimmer switch and the GFCI/RCD receptacle. The electrical wires should enter the power bar 5-1/2" (127 mm) from the bottom of the mirror.

Recess-Mount Installation



Surface-Mount Installation

	X	Y
K-99003-TLC	19-1/2" (495 mm)	19-1/8" (486 mm)
K-99007-TLC	23-1/2" (597 mm)	23-1/8" (587 mm)
K-99009-TLC	33-1/2" (851 mm)	33-1/8" (841 mm)
K-99011-TLC	39-1/2" (1003 mm)	39-1/8" (994 mm)



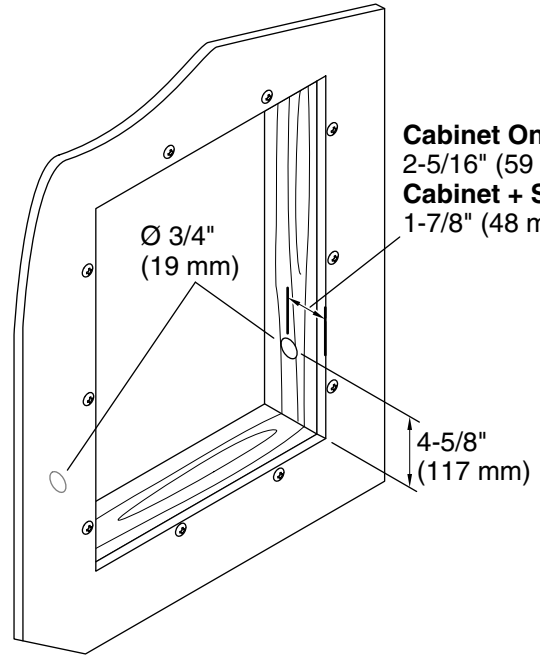
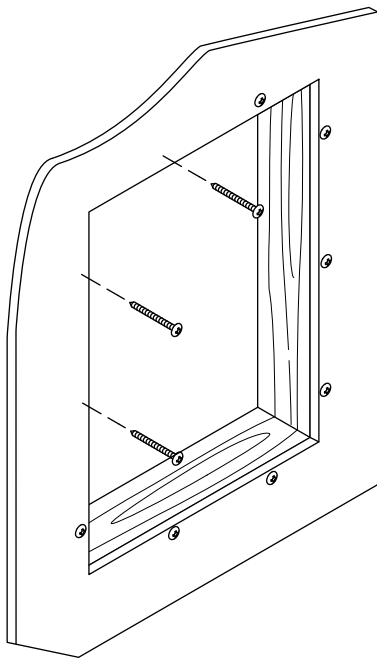
1. Prepare the Site

Recess-Mount Installation

- Measure and mark the cutout for your model.

Surface-Mount Installation

- Mark the mounting bar position and stud locations.
- Determine the electrical wire hole locations according to the dimensions shown above for your product.



Cabinet Only:
2-5/16" (59 mm)
Cabinet + Surround:
1-7/8" (48 mm)

2. Recess Mount - Construct the Framing

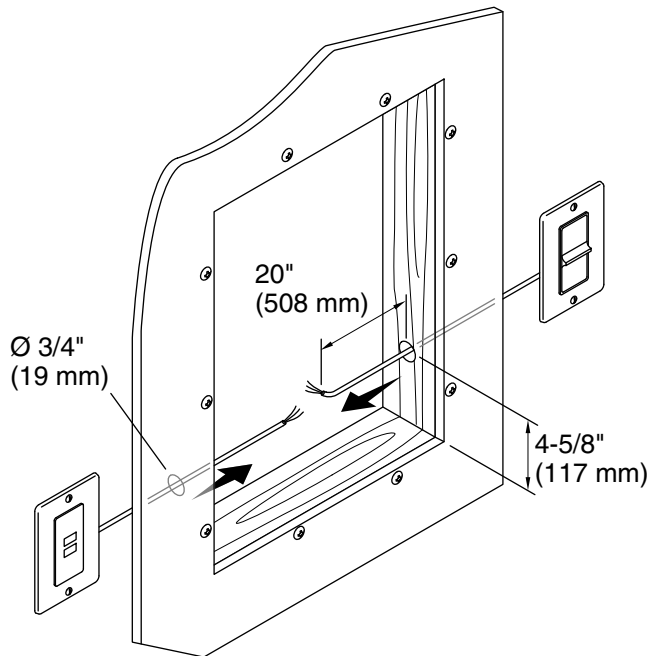
NOTE: The following instructions are for recess-mount only. For surface-mount installation, refer to the "Surface-Mount" sections.

- Using a jigsaw or keyhole saw, carefully remove the finished wall material from the marked cutout.
- Frame out the wall cavity. If needed, install a header.

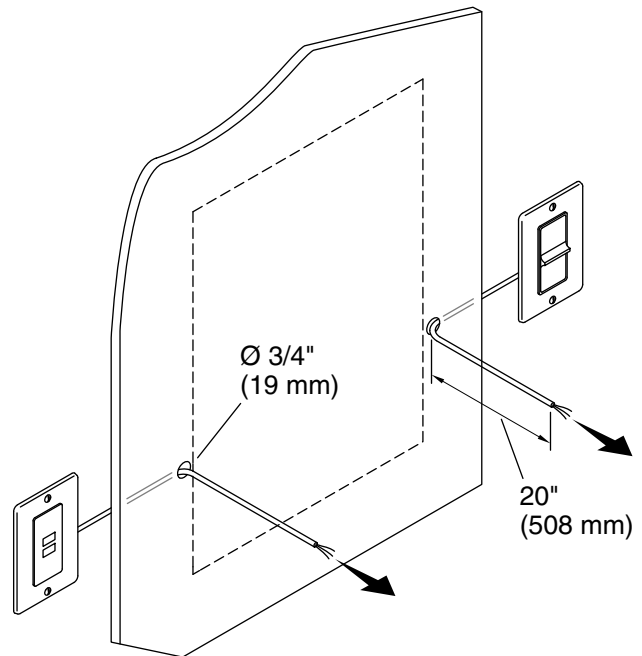
IMPORTANT! Hole location in the framing is critical for electrical wire alignment with the cabinet. If you plan to install an optional decorative surround, use the dimension specified for the cabinet plus surround.

- **For cabinet only installation:** Mark the center of the hole 4-5/8" (117 mm) from the bottom of the cavity, and 2-5/16" (59 mm) from the finished wall.
- **For cabinet plus surround:** Mark the center of the hole 4-5/8" (117 mm) from the bottom of the cavity, and 1-7/8" (48 mm) from the finished wall.
- Drill a 3/4" (19 mm) hole into each side of the framed cavity at the marked locations.

Recess-Mount Installation



Surface-Mount Installation



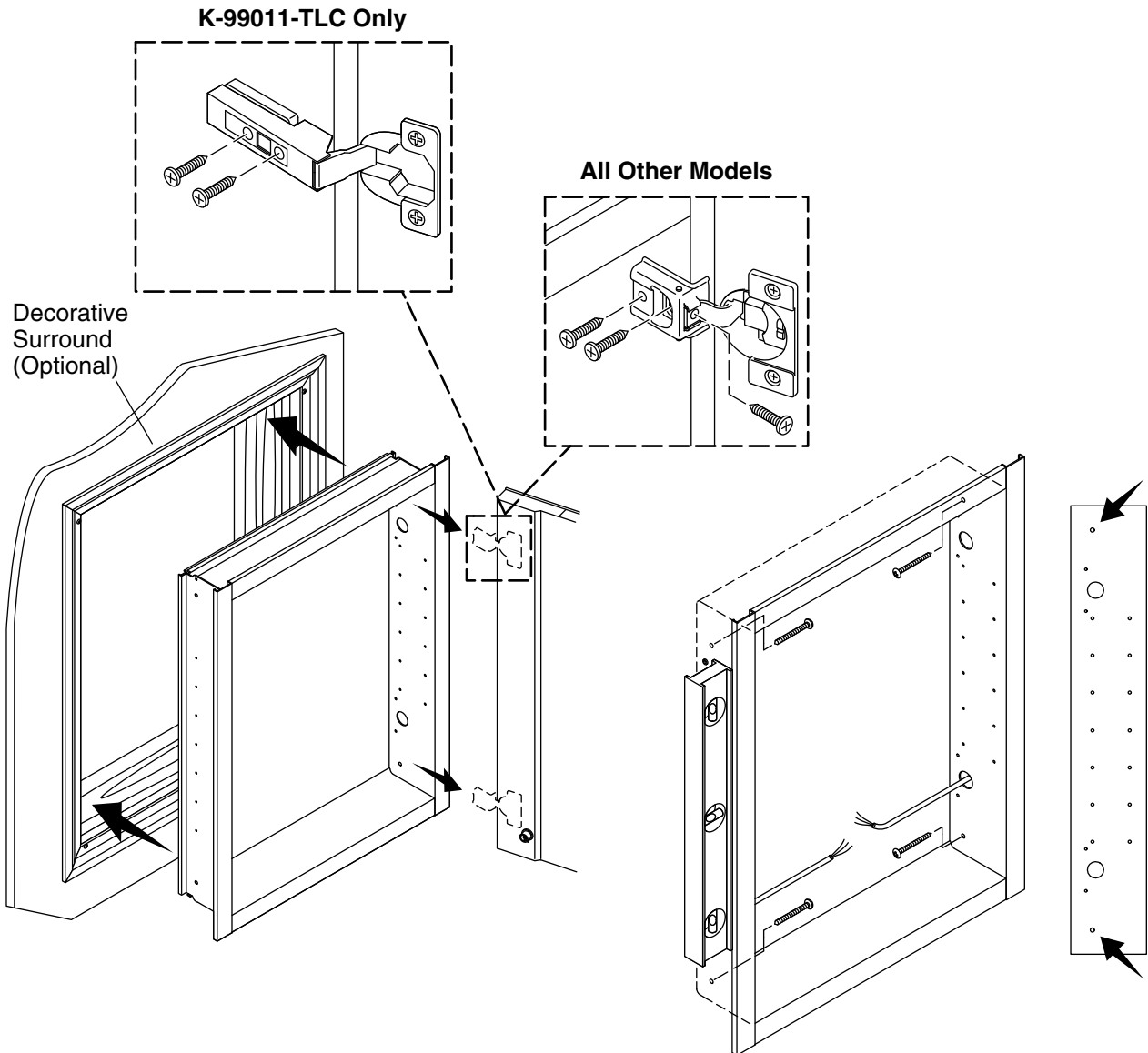
3. Route the Wiring

Recess-Mount Installation

- Drill a 3/4" (19 mm) hole into each side of the framed cavity, located 4-5/8" (117 mm) from the bottom of the cavity.
- Route the GFCI/RCD receptacle and dimmer switch wires through the holes in the framing.
- The wiring should extend at least 20" (508 mm) from each hole.

Surface-Mount Installation

- Drill two 3/4" (19 mm) holes for the electrical wire locations.
- Route the GFCI/RCD receptacle and the dimmer switch wires through the holes in the finished wall.
- The wires should extend at least 20" (508 mm) from each hole.



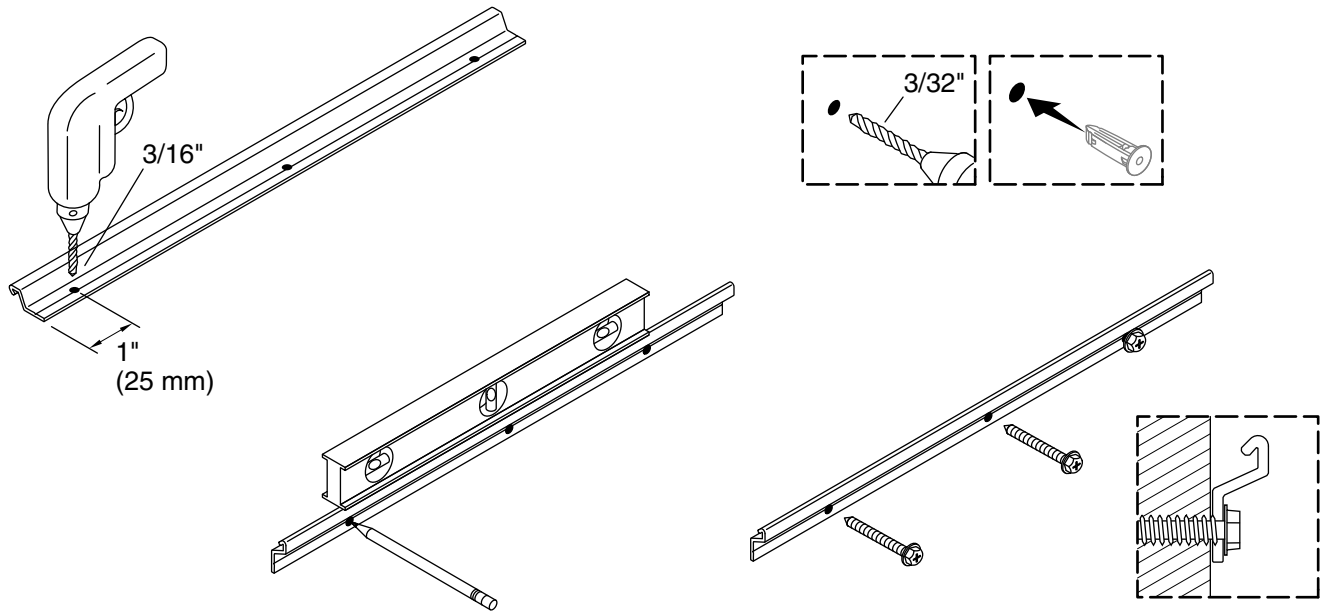
4. Recess-Mount - Install the Cabinet

NOTE: The following instructions are for recess-mount only. For surface-mount installation, refer to the "Surface-Mount" sections.

- If purchased, install the decorative surround before installing the medicine cabinet. Follow the instructions packed with the surround.

IMPORTANT! Never leave the door supported with only one hinge attached. Get assistance supporting the door.

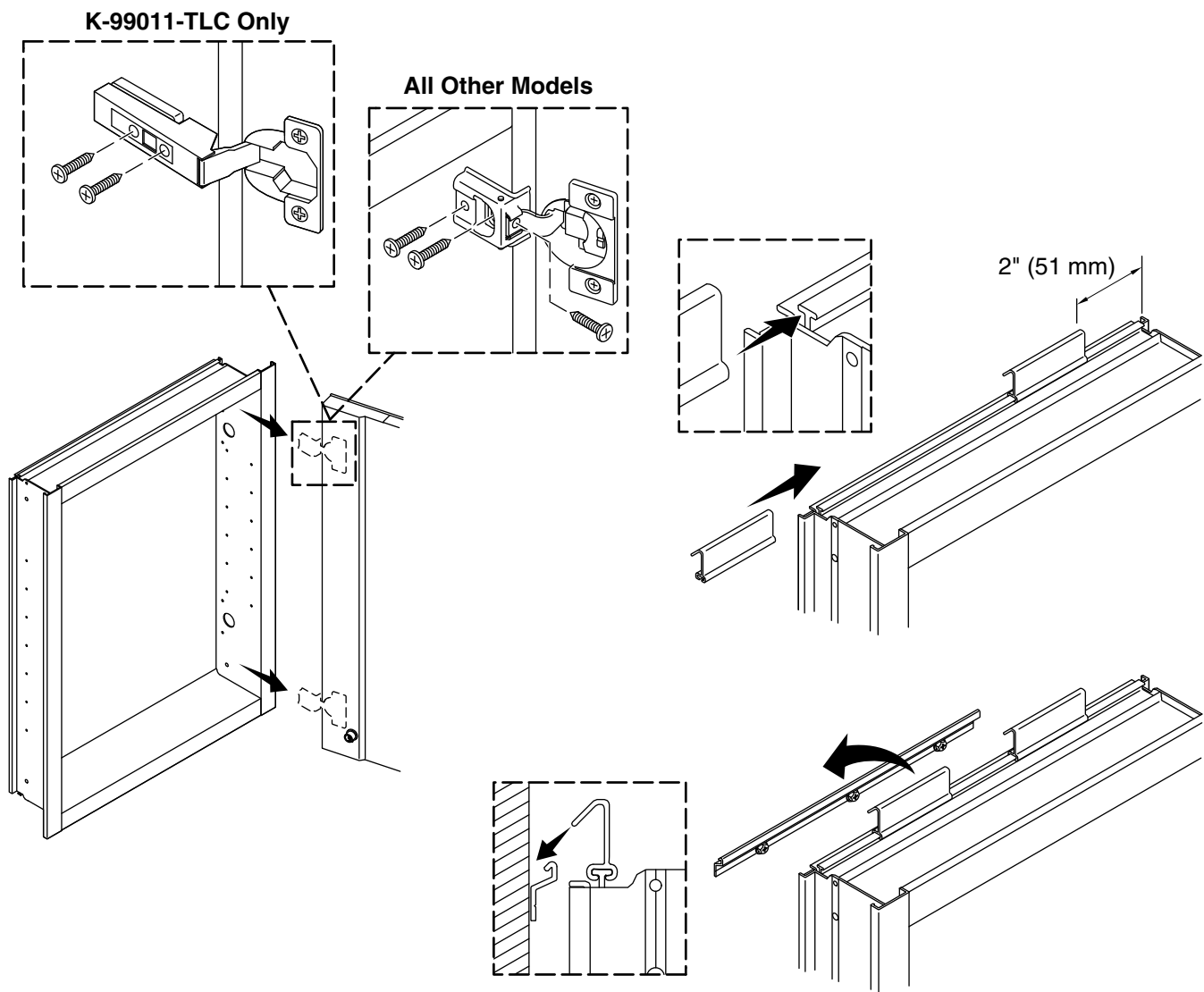
- Open and remove the door(s). While supporting the door, remove the screws from the bottom hinge first.
- With assistance, position the cabinet into the cutout, and hold in place.
- Use the screws provided to mount the cabinet to the framing studs using each of the four mounting holes.



5. Surface-Mount - Install the Mounting Bar

NOTE: The following instructions are for surface-mount only. For recess-mount installation, refer to the "Recess-Mount" sections.

- Using a 3/16" drill bit, drill three holes on the groove of the mounting bracket. Position one hole at a stud location.
- Mark hole locations on the wall.
- Drill holes at the marked locations on the wall.
- Insert anchors (not provided) where needed.
- Secure the mounting bar with three 2" hex head screws or screws provided with the anchors.

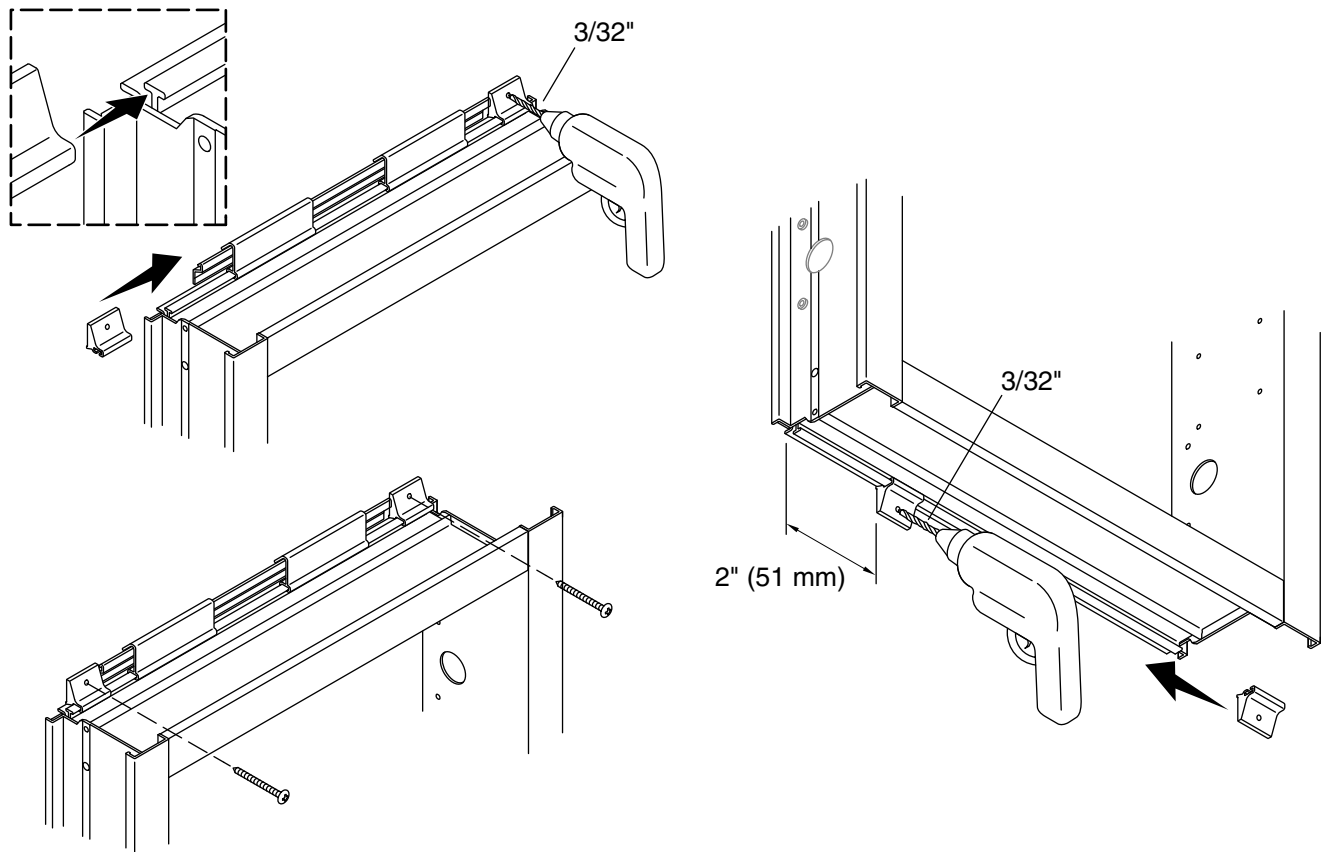


6. Surface-Mount - Hang the Cabinet

NOTE: The following instructions are for surface-mount only. For recess-mount installation, refer to the "Recess-Mount" sections.

IMPORTANT! Never leave the door supported with only one hinge attached. Get assistance supporting the door.

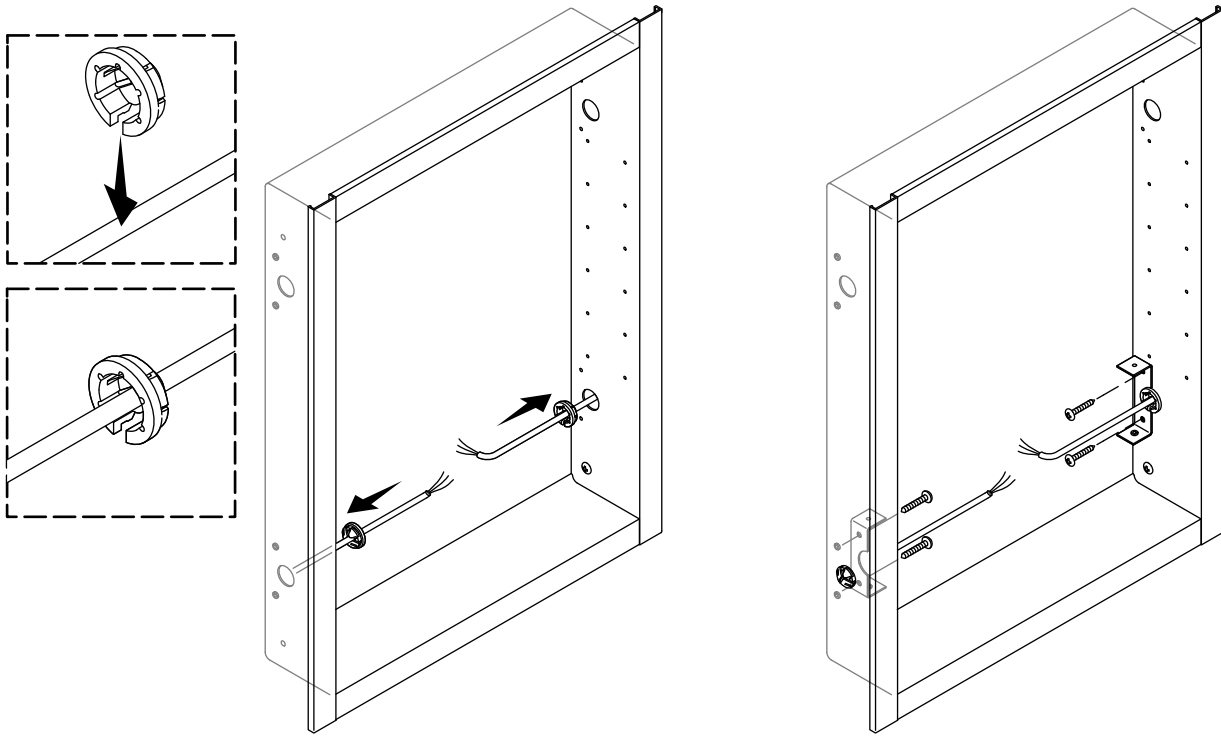
- Open and remove the door(s). While supporting the doors, remove the screws from the bottom hinge first.
- Slide the hanger hooks onto the top T-slot.
- Position each hook 2" (51 mm) from the ends of the cabinet.
- Lift the cabinet onto the mounting bar. Make sure that the hanger hooks engage the bar.



7. Surface-Mount - Secure the Cabinet

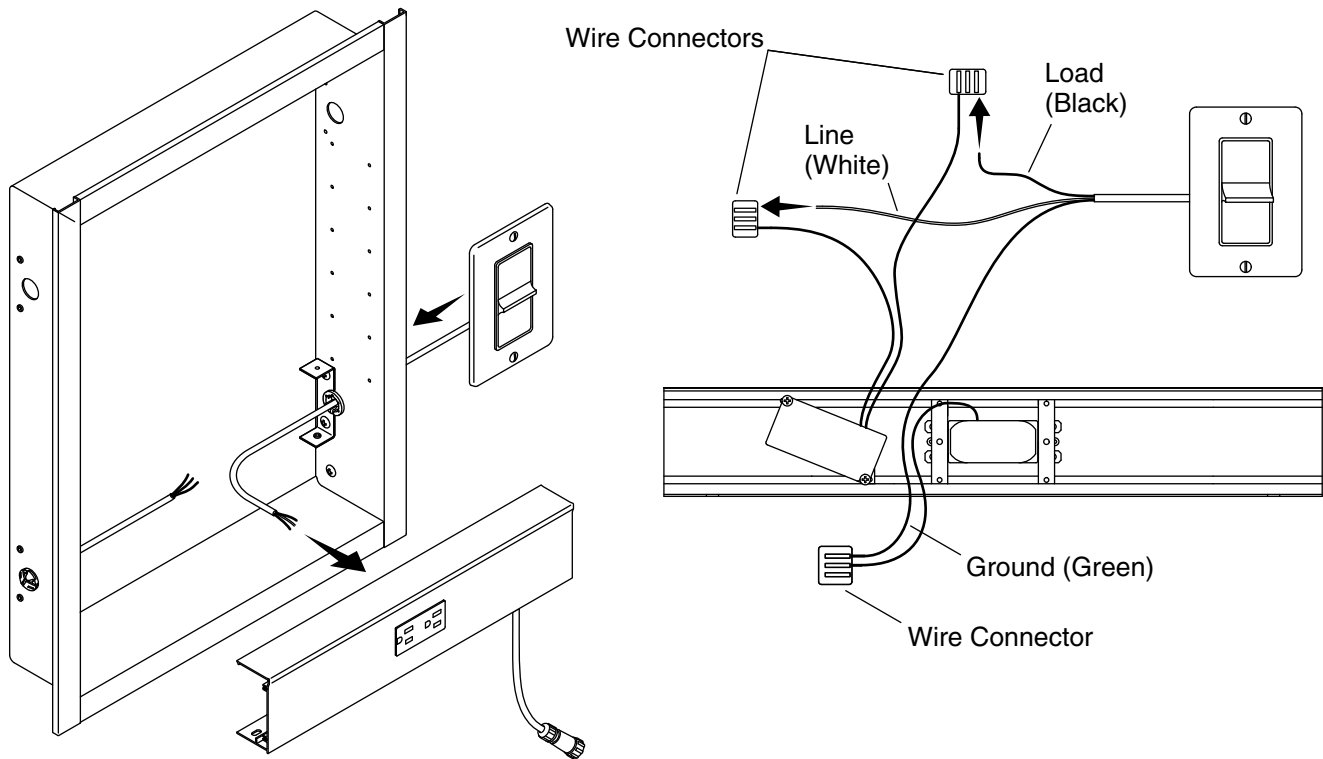
NOTE: The following instructions are for surface-mount only. For recess-mount installation, refer to the "Recess-Mount" sections.

- Slide a clip onto each end of the top T-slot.
- Center the cabinet on the wall as desired.
- Using a 3/32" drill bit, drill pilot holes into the wall.
- If anchors are needed, remove the cabinet and install anchors into the wall at the pilot hole locations.
- Secure the clips with 1-1/2" screws (provided).
- Slide two clips onto the bottom T-slot.
- Position each clip 2" (51 mm) from the ends of the cabinet.
- Using a 3/32" drill bit, drill pilot holes into the wall.
- If anchors are needed, remove the cabinet and install anchors into the wall at the pilot hole locations.
- Secure the clips with 1-1/2" screws (provided).



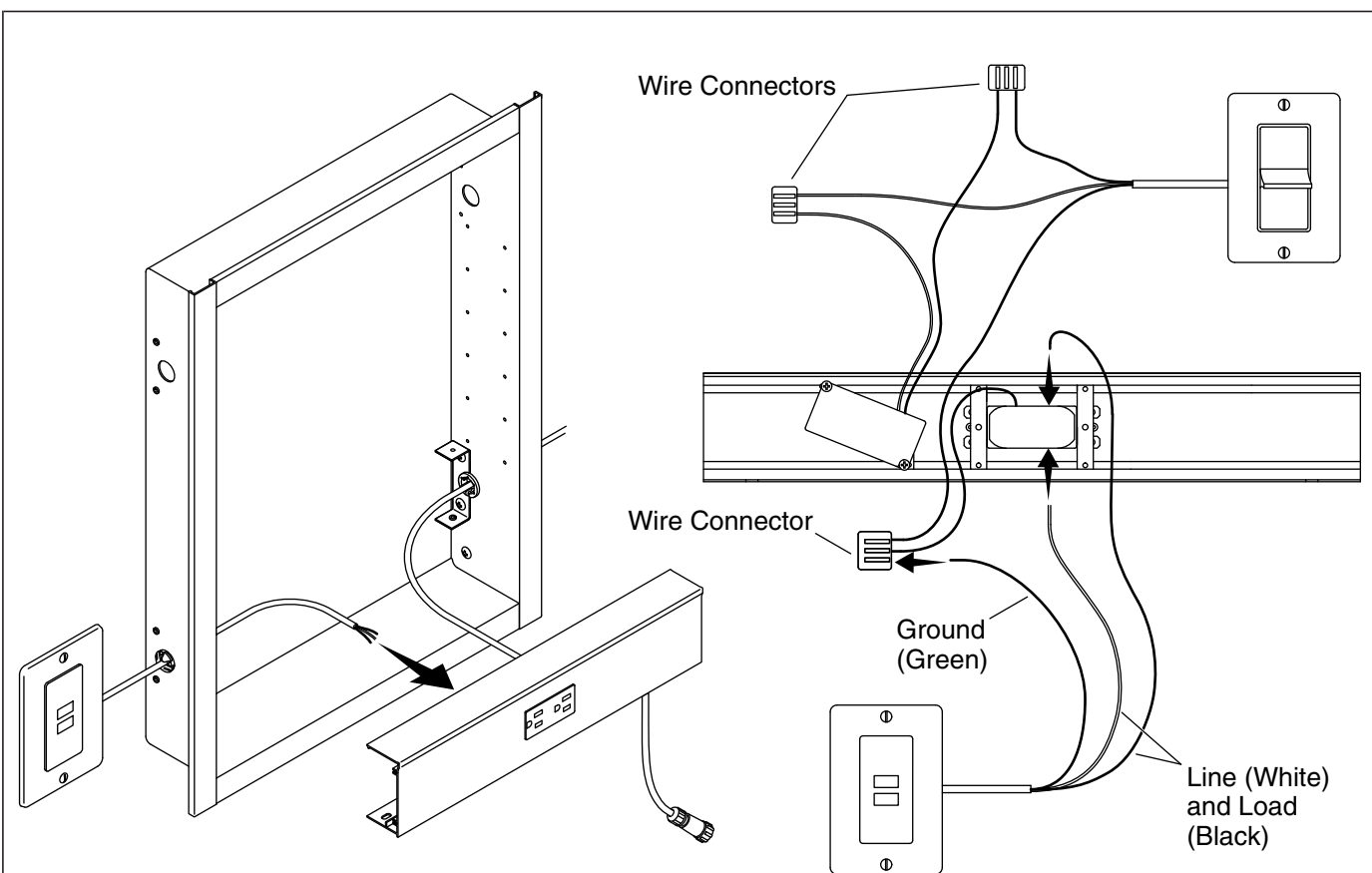
8. Install the Brackets

- Install a wire gasket onto both electrical wires, close to the side panel hole.
- Press each gasket into the hole.
- Align the brackets with the side panel holes as shown.
- Secure each bracket with two screws (provided). Avoid pinching the electrical wires while securing the brackets.



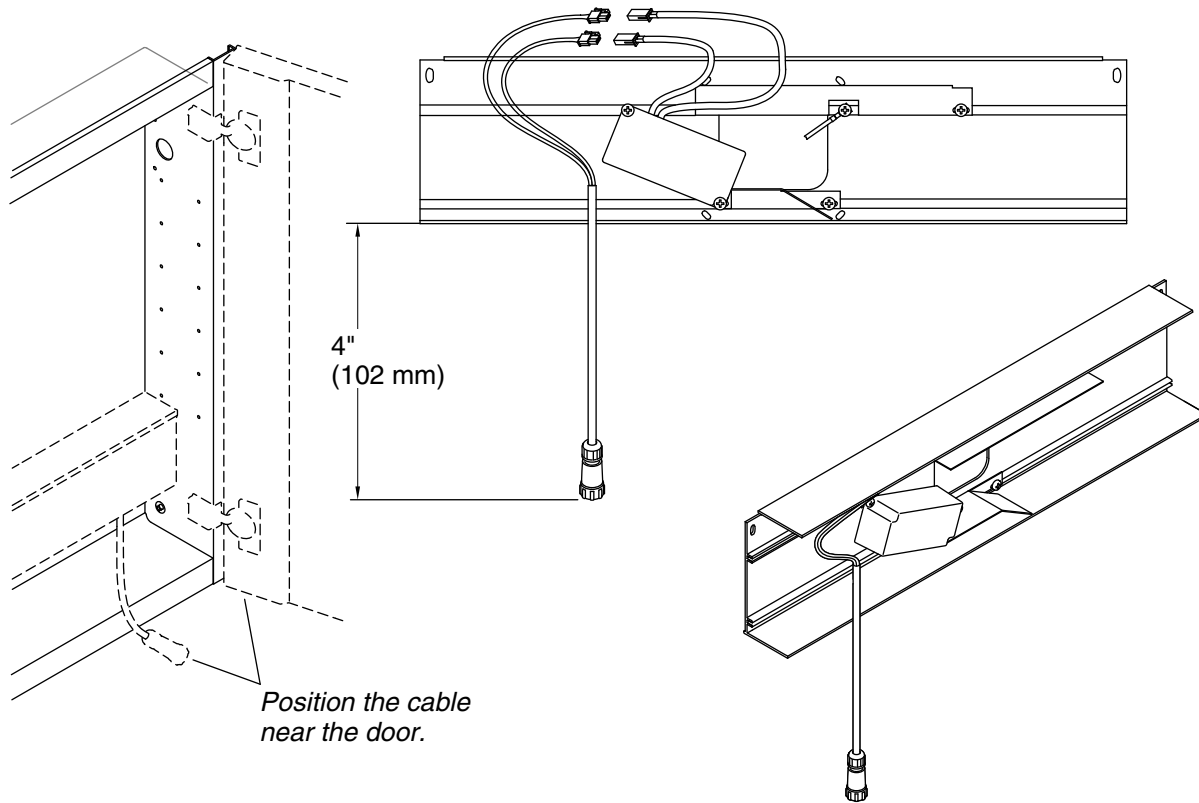
9. Connect the Dimmer Switch

- Connect the electrical wiring from the dimmer switch to the proper connectors on the power bar as shown.



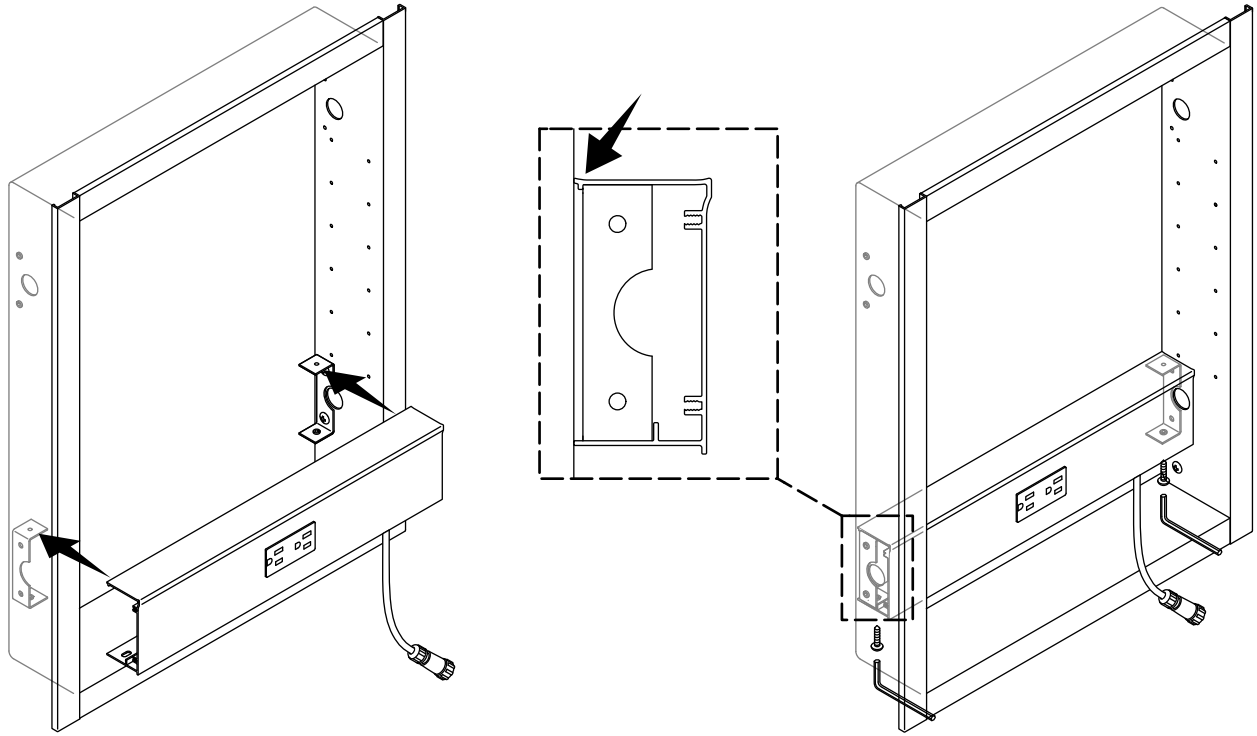
10. Connect the GFCI/RCD Receptacle

- Connect the electrical wiring from the GFCI/RCD receptacle to the proper connectors on the power bar as shown.



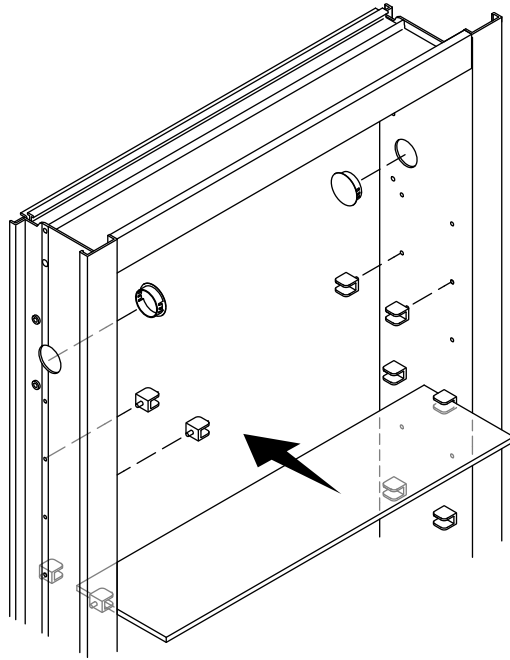
11. Connect the Door Cable

- Position the cable on the side of the power bar that will be closest to the door.
- Connect the door cable to the power supply connectors on the power bar.
- The cable should extend 4" (102 mm) from the bottom of the power bar. Coil any excess cable inside the box.
- Install the slotted grommet around the cable and into the power bar slot.
- Install the plug in the remaining open slot on the back of the power bar.



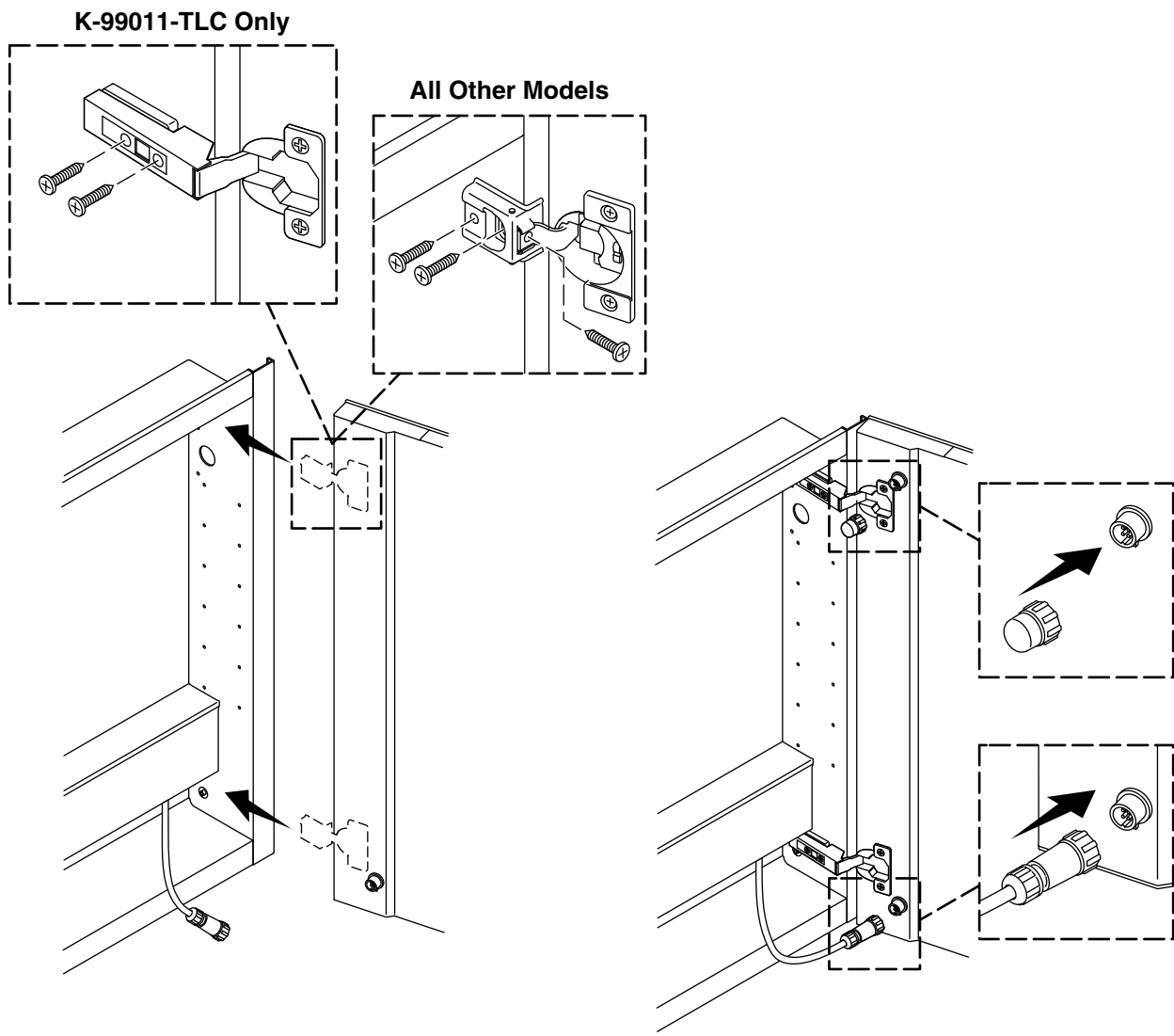
12. Install the Power Bar

- Position the power bar into the cabinet. Make sure that the top of the box clips over each bracket.
- Secure the box in place with the two screws (provided).



13. Install the Shelves

- Determine the shelf locations and insert the slotted pins into the holes in the sides of the cabinet.
- Install the shelves between the slots of the pins.
- Install the caps to the unused electrical holes near the top of the cabinet.



14. Install the Door

IMPORTANT! Never leave the door supported with only one hinge attached. Get assistance supporting the door.

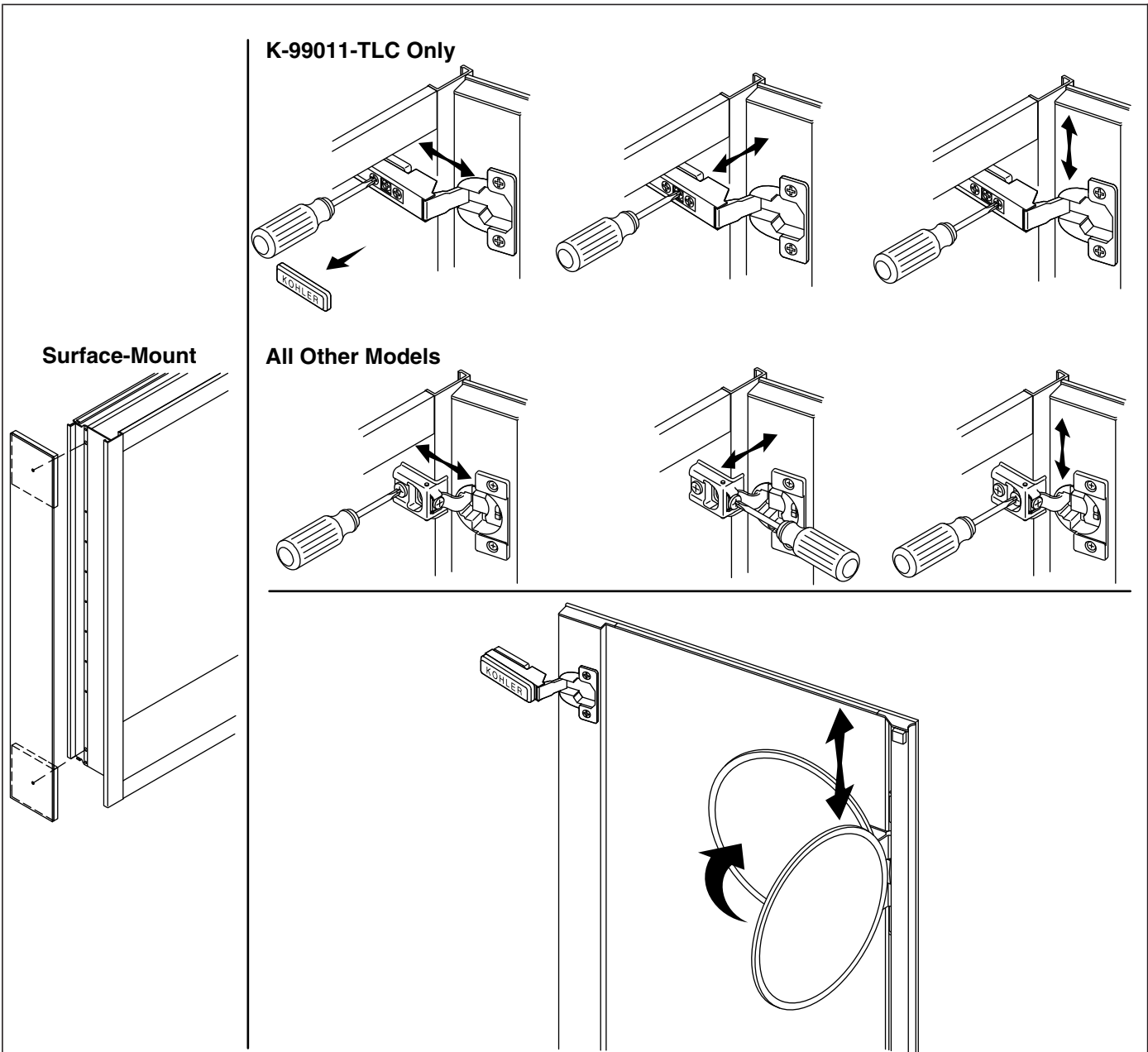
IMPORTANT! Make sure that the cable does not get pinched you close the door.

NOTE: Reattach the top hinge first.

- Align the hinges with the hinge holes in the side of the cabinet.
- While supporting the door, secure the top hinge to the cabinet with the three screws.
- Continue supporting the door while securing the bottom hinge with the three screws.
- Align the tab on the end of the cable with the adapter slot at the bottom of the door.
- Press the cable connector onto the adapter.
- Align the tab on the cap with the adapter slot at the top of the door, then press in place.

Install the Door (cont.)

- Test opening and closing the door for smooth operation. Make sure that the cable does not get pinched.
- If the door binds, make adjustments to the hinges. Refer to the "Adjust the Door" section.



15. Complete the Installation



CAUTION: Risk of electric shock. For surface-mount installation, side mirror kit K-99012 or wood kit K-99675 is required to enclose exposed electrical wiring.

- **For surface-mount installation:** Install side mirror kit K-99012 or wood kit K-99675 to enclose the exposed electrical wiring.

Adjust the Height

- Access the height adjustment screws through holes at the top and bottom of the main mirror housing.
- Refer to the illustration above and note the screwdriver location for the desired adjustment.

Adjust the Mirror

Complete the Installation (cont.)

CAUTION: Risk of product damage. Rotate the mirror inward, flush with the door, before closing the door.

- Slide the makeup mirror up or down to the desired height.
- Rotate the mirror **in toward the door** when not in use.

Care and Cleaning

For best results, keep the following in mind when caring for your KOHLER product:

NOTE: Periodic care and maintenance should include checking all hinge screws on the door to make sure that they are tight and engaged in the hinge holes.

- Do not use bristle brushes, abrasive sponges, or abrasive cleaners. They will scratch some surfaces.
- Do not let cleaners sit or soak on surfaces.

For detailed cleaning information and products to consider, visit www.kohler.com/clean. To order Care & Cleaning information, call 1-800-456-4537.

Warranty

ONE-YEAR LIMITED WARRANTY

KOHLER plumbing products are warranted to be free of defects in material and workmanship for one year from date of installation.

Kohler Co. will, at its election, repair, replace or make appropriate adjustment where Kohler Co. inspection discloses any such defects occurring in normal usage within one (1) year after installation. Kohler Co. is not responsible for removal or installation costs. **Use of in-tank toilet cleaners will void the warranty.**

To obtain warranty service contact Kohler Co. either through your Dealer, Plumbing Contractor, Home Center or E-tailer, or by writing Kohler Co., Attn.: Customer Care Center, 444 Highland Drive, Kohler, WI 53044, USA, or by calling 1-800-4-KOHLER (1-800-456-4537) from within the USA and Canada, and 001-800-456-4537 from within Mexico, or visit www.kohler.com within the USA, www.ca.kohler.com from within Canada, or www.mx.kohler.com in Mexico.

IMPLIED WARRANTIES INCLUDING THAT OF MERCHANTABILITY AND FITNESS FOR A PARTICULAR PURPOSE ARE EXPRESSLY LIMITED IN DURATION TO THE DURATION OF THIS WARRANTY. KOHLER CO. AND/OR SELLER DISCLAIM ANY LIABILITY FOR SPECIAL, INCIDENTAL OR CONSEQUENTIAL DAMAGES. Some states/provinces do not allow limitations on how long an implied warranty lasts, or the exclusion or limitation of special, incidental or consequential damages, so these limitations and exclusions may not apply to you. This warranty gives you specific legal rights. You may also have other rights which vary from state/province to state/province.

This is Kohler Co.'s exclusive written warranty.