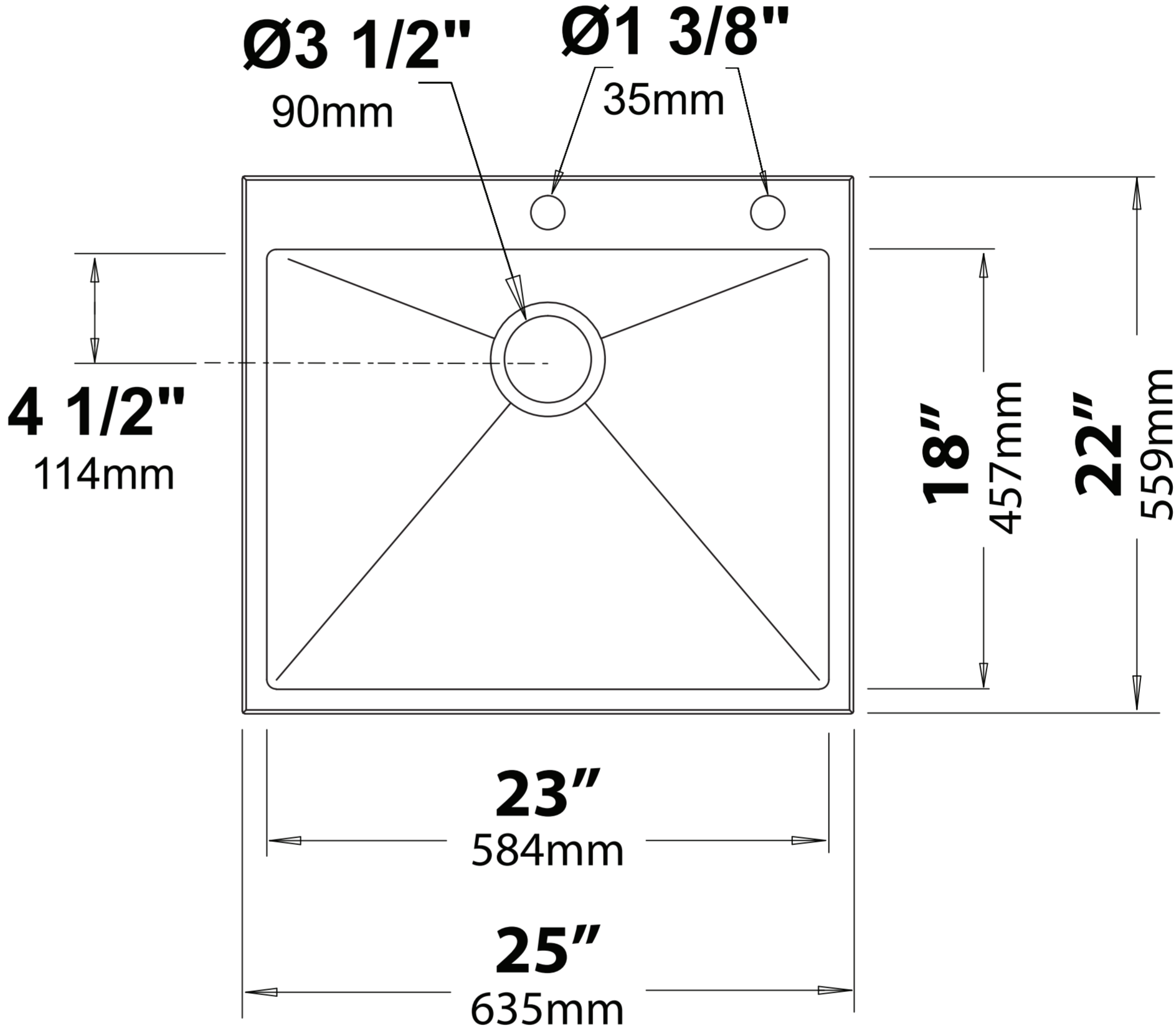




**Model No.  
KHT301-25**

**Undermount Cut-out**

**Pro Hotline: 516.801.8955  
Customer Service: 800.755.0703**



**NOTE: Cutout template is provided as a guide ONLY and must be checked against actual sink to verify correct fit.**

- Please cut along inner solid line for negative reveal  $1/8''$
- Please tear perforated edge for zero / flushed reveal
- Please use outer edge for positive reveal  $3/8''$