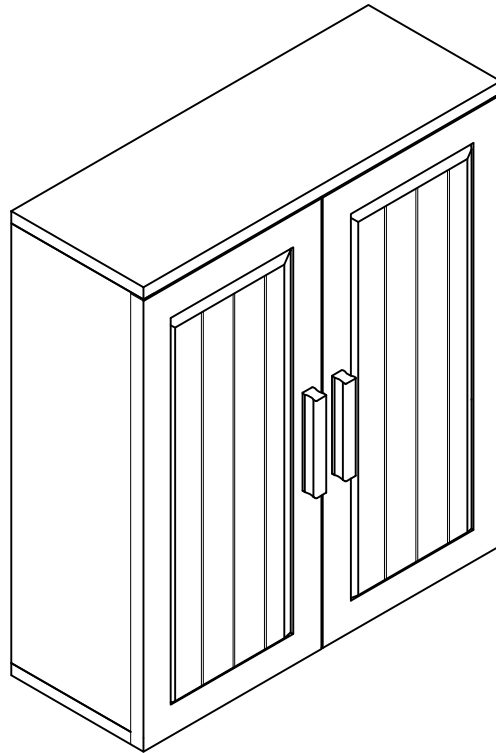


# ASSEMBLY INSTRUCTIONS

## 2Door WC



Please provide the following information when contacting for parts or questions: the name of the company you purchased from, the UPS/FedEx tracking number.

This product comes with a 1 year warranty. Products purchased second hand/used are not covered under the warranty.

### ASSEMBLY INSTRUCTIONS-IMPORTANT

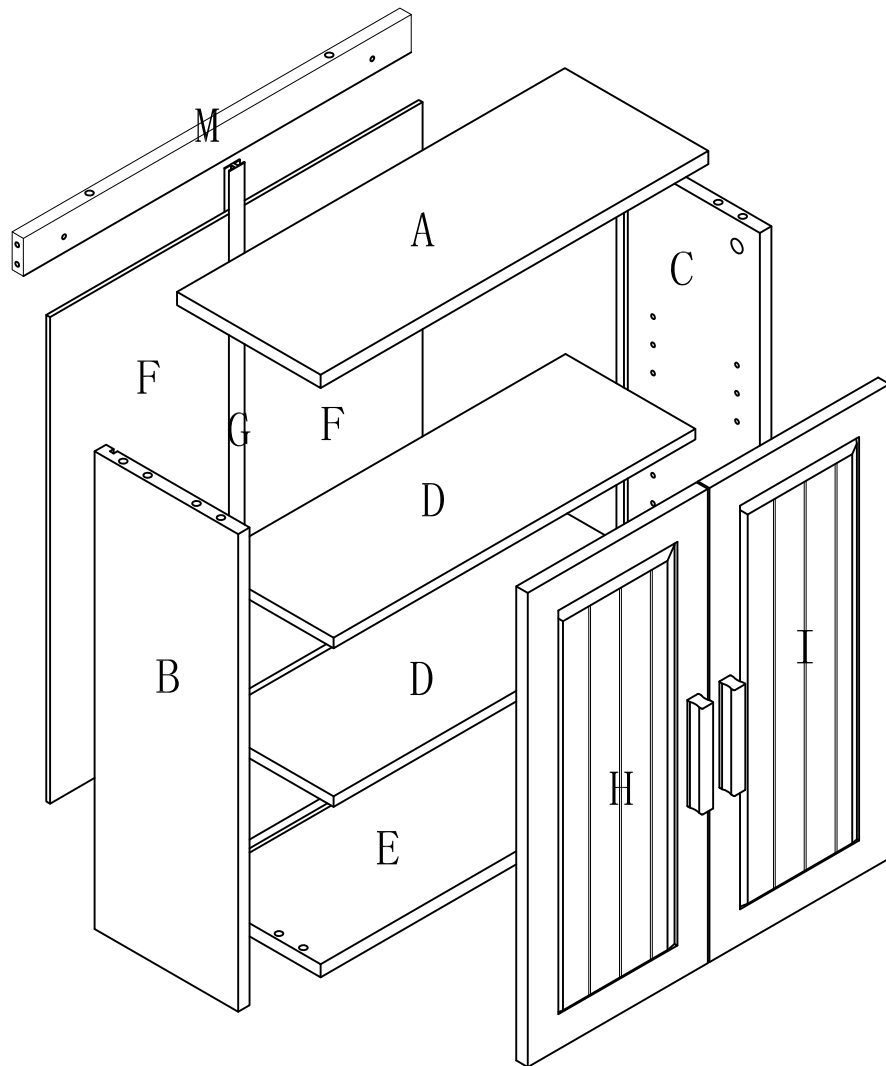
Carefully unpack & identify each component before attempting to assemble. Refer to parts list. Please take care when assembling the unit and always set the parts on a clean, soft surface. If you require any assistance with assembly, parts, please call the company you place order with or please email to:[service@eleganthf.net](mailto:service@eleganthf.net)

### INSTRUCCIONES PARA ARMAR-IMPORANT:




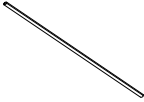


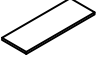



Desempaque cuidadosamente e identifique cada componente antes de tartar de empezar su ensambladura. Verifique la lista de partes. Por favor tenga cuidado cuando arme la unidad y siempre coloque las piezas sobre una superficie plana, suave y limpia. Si necesita ayuda con el armado, envíe un correo electzórico a [service@eleganthf.net](mailto:service@eleganthf.net)

### DIRECTIVES DE MONTAGE-IMPORTANT:


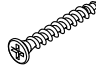

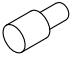
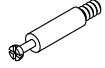
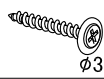
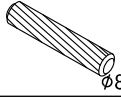
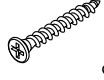
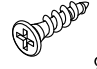

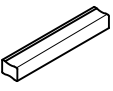
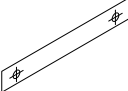
Avant de commencer l' assemblage, déballez délicatement toutes les pièces et repérez-les sur la liste des pièces. Procédez avec soins durant l' assemblage et posez toujours les pièces sur une surface proper, douce et lisse. sie vouo plait e-mail á [service@eleganthf.net](mailto:service@eleganthf.net)



# COMPONENTS

PART	FIGURE	DESCRIPTION	QTY	PART	FIGURE	DESCRIPTION	QTY
A		TOP PANEL	1PC	F		BACK RANEL	2PCS
B		LEFT SIDE PANEL	1PC	G		PLASTIC BAR	1PC
C		RIGHT SIDE PANEL	1PC	H		LEFT DOOR	1PC
D		ADJUSTABLE SHELF	2PCS	I		RIGHT DOOR	1PC
E		BOTTOM PANEL	1PC	M		UPPER BACK RAIL	1PC

# HARDWARE & TOOLS

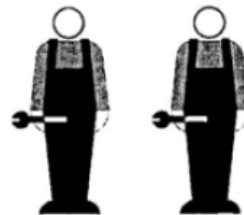
PART	FIGURE	DESCRIPTION	QTY	PART	FIGURE	DESCRIPTION	QTY
1	 ø15*12	CAM LOCK	8PCS	7	 ø4*25	SCREW	4PCS
2		CAM COVER	8PCS	8		SHELF PIN	8PCS
3		CAM BOLT	8PCS	10	 ø3*12 D=7	SCREW	14PCS
4	 ø8*30	WOODEN DOWEL	14PCS	11	 ø4*35	SCREW	2PCS
5	 ø3*12	SCREW	8PCS	12		ANCHOR	2PCS
6		WOODEN HANDLE	2PCS			TEMPLATE PAPER	

## TOOL NEEDED:



**PHILIPS SCREWDRIVER REQUIRED  
- NOT INCLUDED**

## SUGGESTION:



**TWO PEOPLE FOR ASSEMBLING**



## WARNINGS:

1. DO NOT LET ANY SHARP OBJECTS TOUCH OR RUB THE SURFACE OF THE PRODUCT.
2. WHEN ASSEMBLING, DO NOT LET CHILDREN PLAY AROUND THE WORKING AREA.
3. PLEASE CONFIRM ALL PARTS ARE CORRECT BEFORE STARTING THE ASSEMBLY PROCESS.
4. DO NOT TIGHTEN ALL BOLTS AND SCREWS COMPLETELY UNTIL THE ENTIRE UNIT HAS BEEN ASSEMBLED AND SET UP.

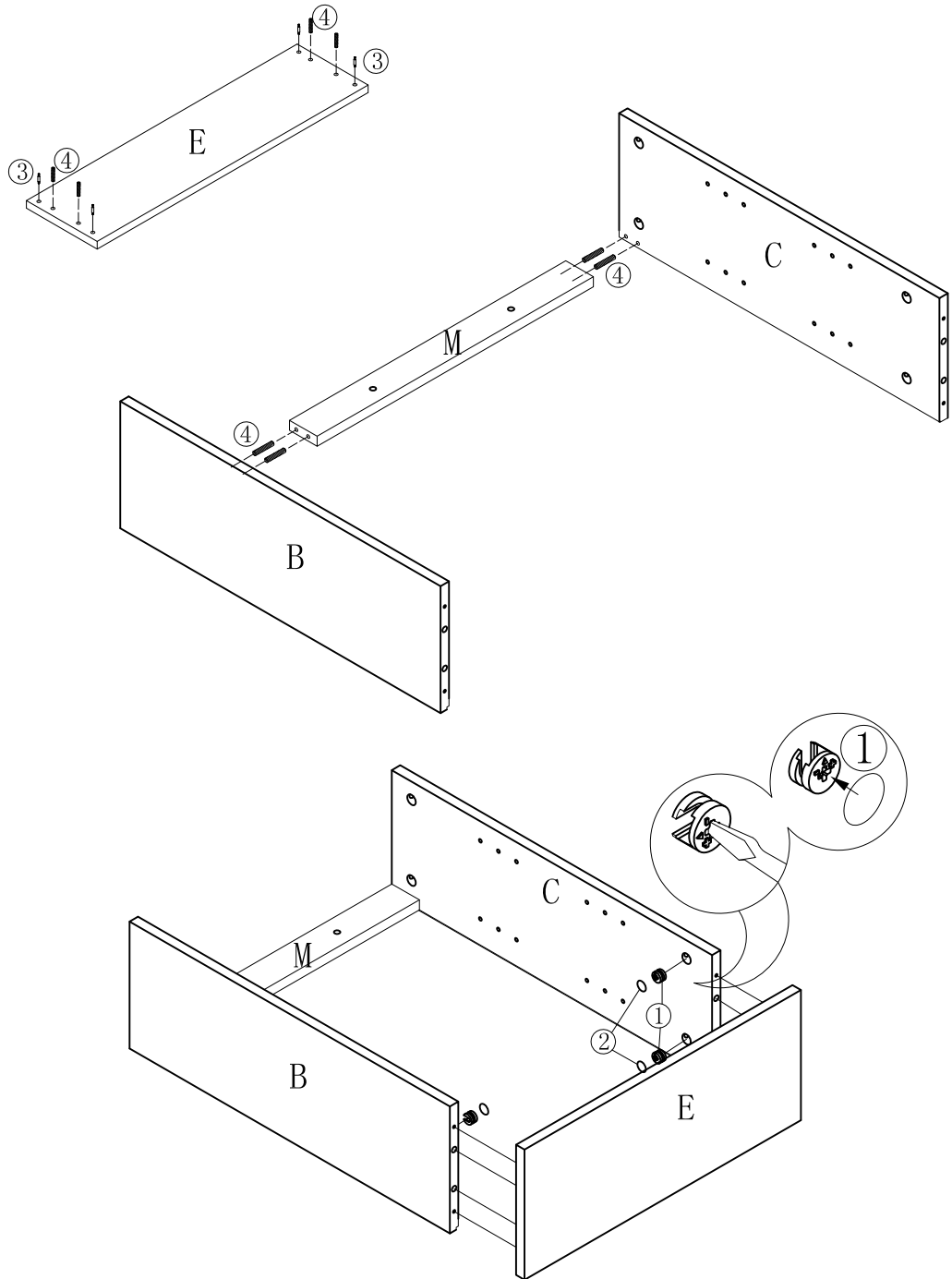
# 1

1  
4 PCS  $\varnothing 15 \times 12$

2  
4 PCS

3  
4 PCS

4  
8 PCS



## STEP 1:

1. Screw cambolts (3) and insert dowels (4) to panel E.
2. Attach rail M to panels B & C with dowels (4).
3. Attach panel E to panels B & C and secure with camlocks (1).

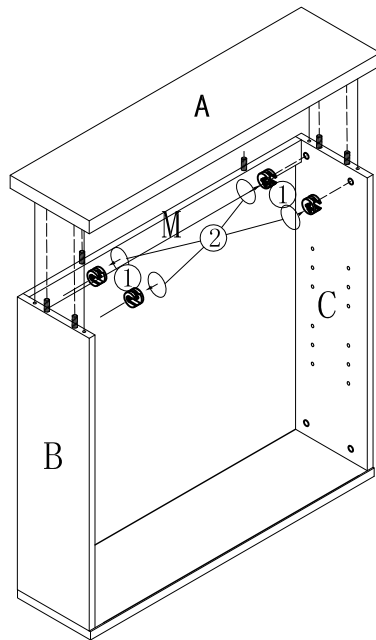
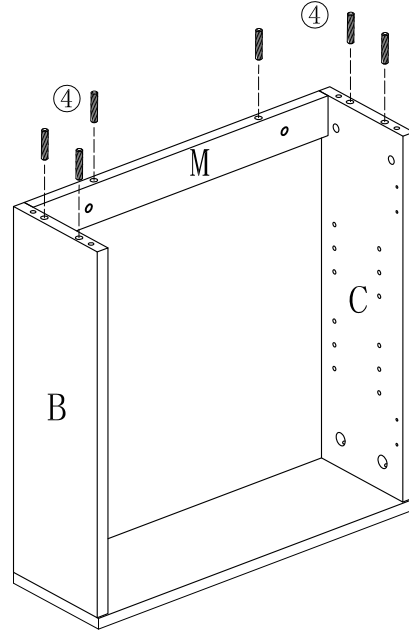
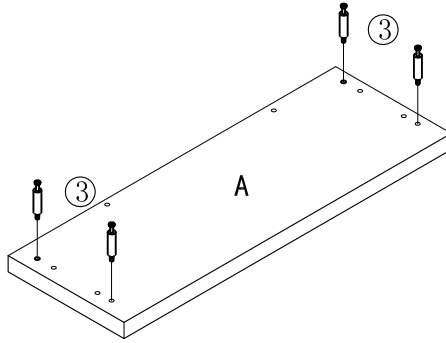
# 2

1  
4 PCS  $\varnothing 15 \times 12$

2  
4 PCS

3  
4 PCS

4  
6 PCS



## STEP 2:

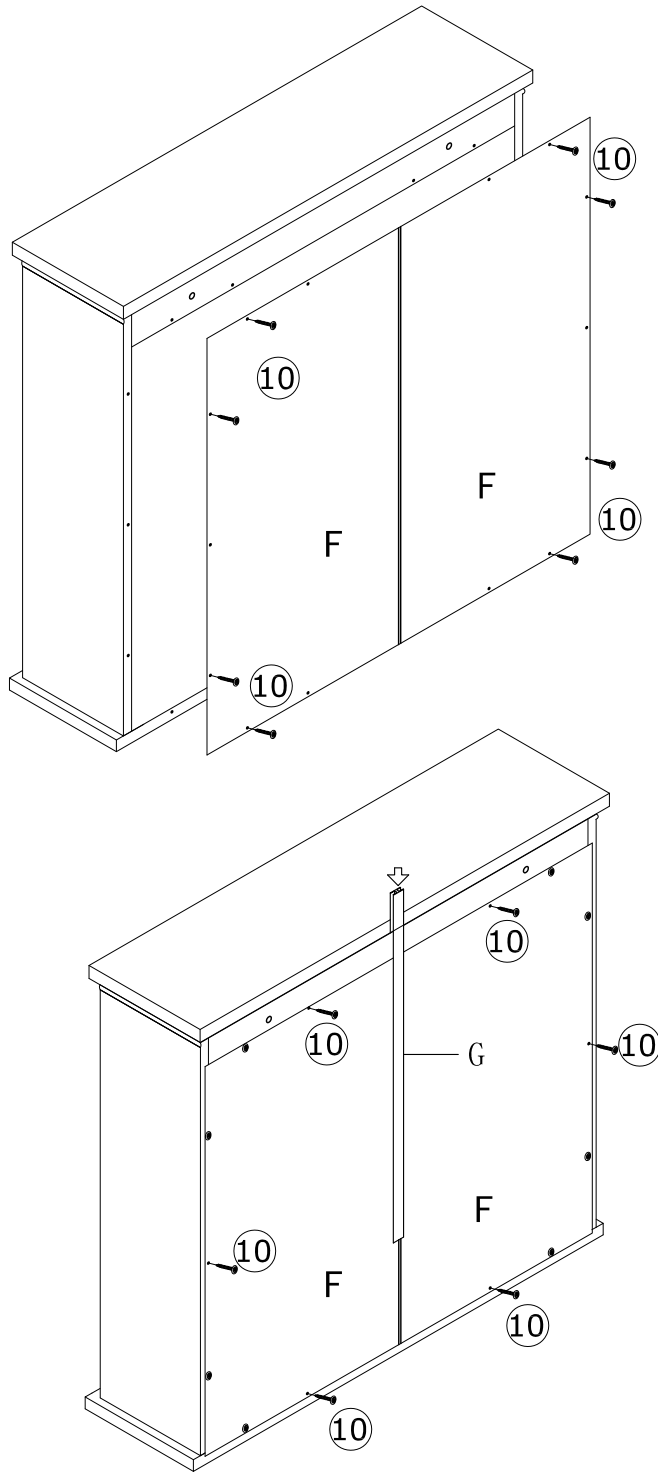
1. Screw cambolts (3) to panel A.
2. Insert dowels (4) to the tops of panels B & C and rail M.
3. Attach panel A to panels B & C and rail J and secure with camlocks (1).

# 3

10



14 PCS  $\phi 3 \times 12$  D=7



### STEP 3:

1. Attach panels F to the back of the cabinet & secure the four corners with screws (10).
2. Insert plastic bar G between the two panel Fs and finish securing the panels with screw (10).

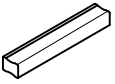
# 4

5



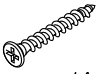
8 PCS  $\phi 3 \times 12$

6

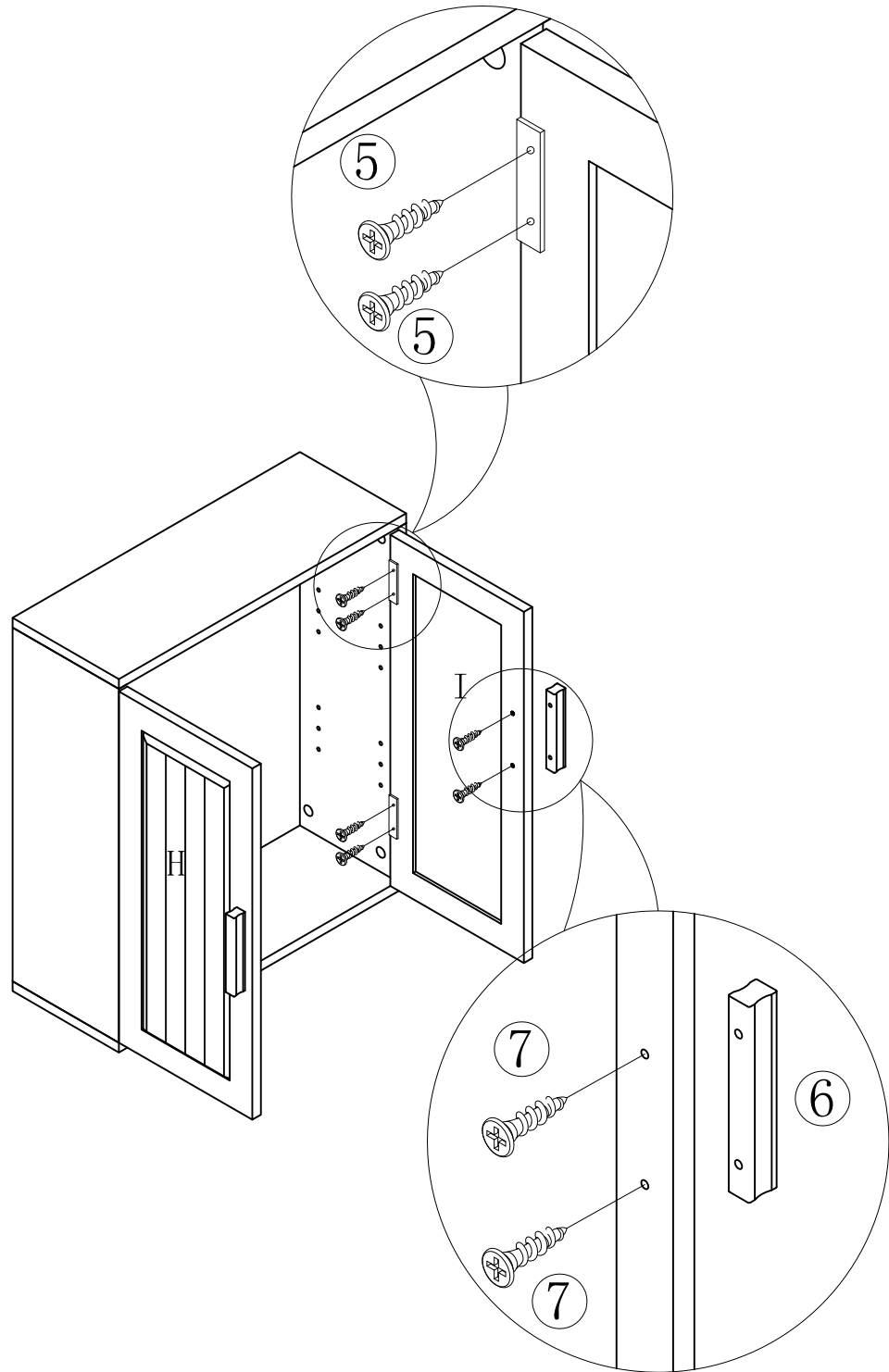


2 PCS

7



4 PCS  $\phi 4 \times 25$



## STEP 4:

1. Attach doors H & I to panels B & C with screws (5).
2. Attach knob (6) to doors H & I with screws (7).

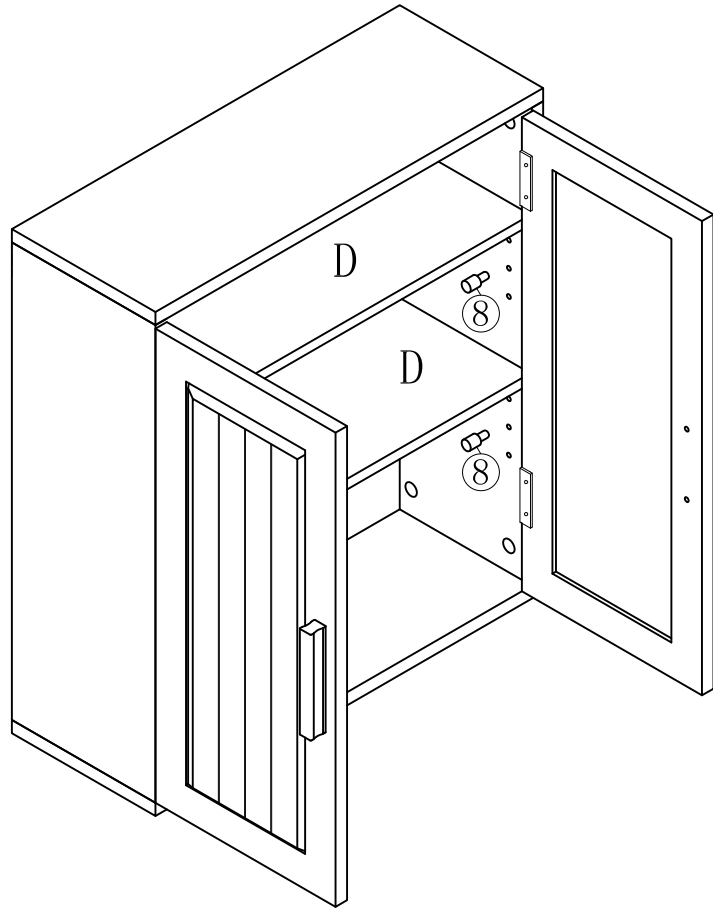


**5**

**8**



8 PCS



**STEP 5:**

**1. Insert shelf pins (8) in panels B & C and rest the adjustable shelf D on the shelf pins.**

# 6

11



2 PCS  $\phi 4 \times 35$

12



2 PCS

