

Features

- High-quality solid-brass construction for durability and reliability
- Unlacquered Brass (ULB) available in North America and the United Kingdom only

Installation

- Includes hex wrench for installation

Recommended Products/Accessories

P24601-CR Sink Faucet, Noble Spout, Cross Handles
P34606-00 Hook
P24871-00 Traditional Showerhead with Arm
P34608-00 Toilet Paper Holder



Codes/Standards





ASME A112.18.1/CSA B125.1

KALLISTA® Five-Year Limited Warranty

See website for detailed warranty information.

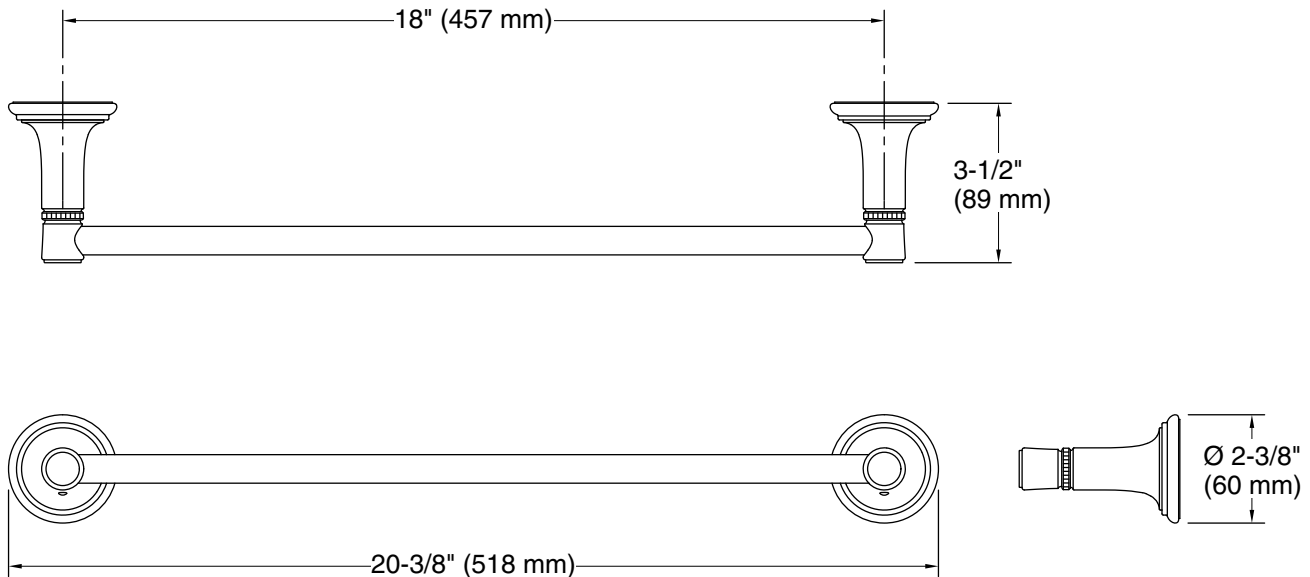
Available Colors/Finishes

Color tiles intended for reference only.

Color	Code	Description
	AD	Nickel Silver
	CP	Polished Chrome
	LB	Bronze
	ULB	Unlacquered Brass

KALLISTA

Bellis® by KALLISTA
18" Towel Bar
P34601-00



Technical Information

All product dimensions are nominal.

Material: Brass

Notes

Install this product according to the installation instructions.

CAUTION: Risk of personal injury. Do not install these products in any area where they are likely to be used inadvertently as a grab bar or support bar. These products are not designed or intended for use as a grab bar or support bar.