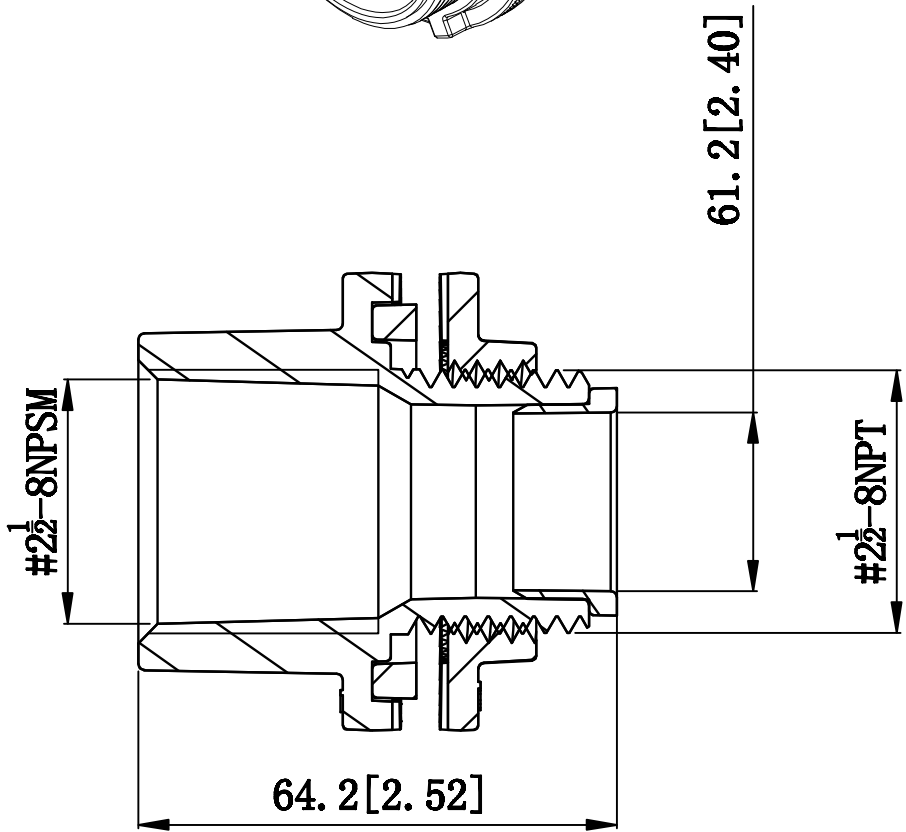
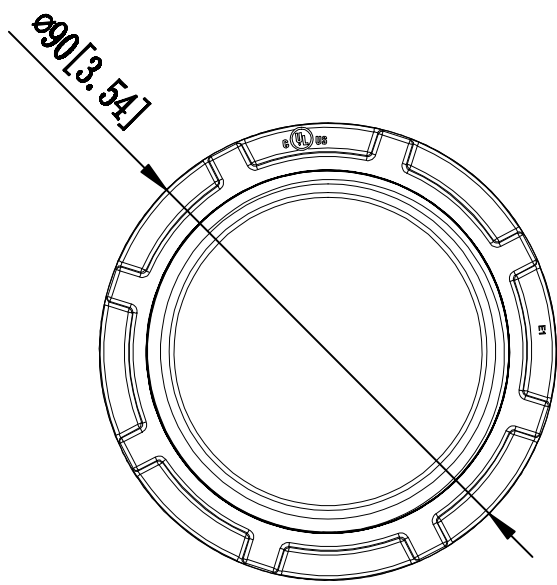
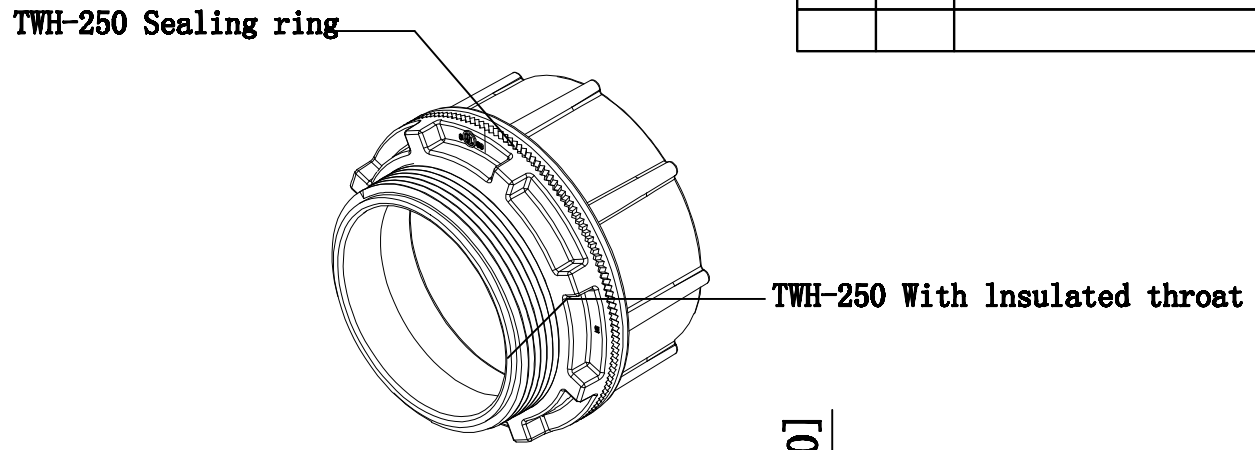


1 2 3 4 5 6 7

| SIDES | BOTTOM |
|-------------------------------------|--------|
| | |
| | |
| | |
| 1 Pcs TWH-250 Sealing ring | |
| 1 Pcs TWH-250 With Insulated throat | |

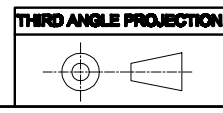
| REVISIONS | | | |
|-----------|-----|-----------|------|
| SYM. | BY. | REVISIONS | DATE |
| A. | | | |



NOTES:
 1.All dimensions in millimeters and [inches];
 2.Free of sharp edge and burrs.max burr 0.5[0.0196].

| UNLESS OTHERWISE SPECIFIED DIMENSIONS ARE IN INCHES TOLERANCES ARE: | NAME | DATE |
|---|------|------|
| X.X: $\pm 0.04 [\pm 0.1]$ | | |
| X.XX: $\pm 0.01 [\pm 0.06]$ | | |
| X.XXX: $\pm 0.001 [\pm 0.006]$ | | |
| MATERIAL ZAMAK | | |
| FINISH | | |

| | | |
|--------------------------|------------------|------------|
| GARVIN INDUSTRIES | | |
| TITLE | | |
| SIZE A4 | DWG NO. WH250 | REV |
| SCALE: 1:1 | PRINT DATE | REFERENCES |
| SHEET 1 OF 1 | | |



DO NOT SCALE DRAWINGS
 INTERPRET PER ASME Y14.5M-1994

THIS DOCUMENT IS THE CONFIDENTIAL PROPERTY OF GARVIN INDUSTRIES AND IS LOANED SUBJECT TO RETURN UPON DEMAND. TITLE TO THIS DOCUMENT IS NEVER SOLD OR TRANSFERRED FOR ANY REASON. THIS DOCUMENT IS TO BE USED ONLY PURSUANT TO WRITTEN LICENSE OR WRITTEN PERMISSION OF GARVIN INDUSTRIES. ALL RIGHTS TO DESIGN AND INVENTIONS ARE RESERVED BY GARVIN INDUSTRIES. POSSESSION OF THIS DOCUMENT IS ACCEPTED SUBJECT TO THE FOREGOING.

F
D
C
B
A

F
D
C
B
A