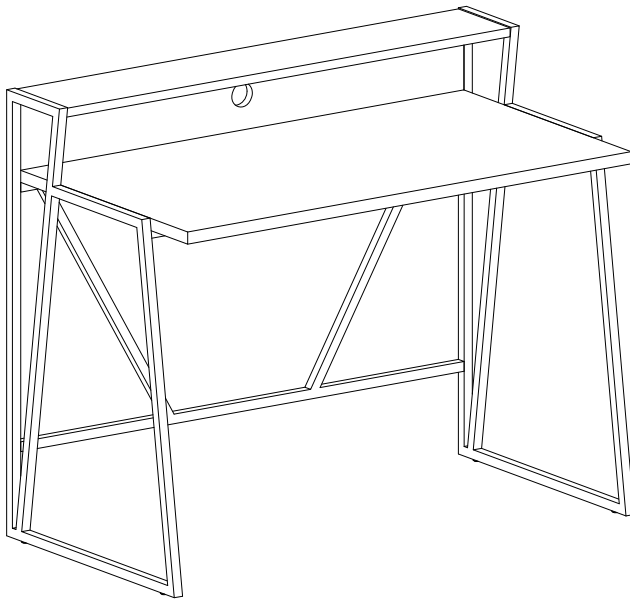
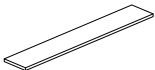
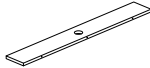




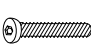







Note:

A packet with complete set of hardware can be found by pulling the red ribbon that's easily visible upon opening the box.

Assembly Instructions, #70010 Fletcher Desk

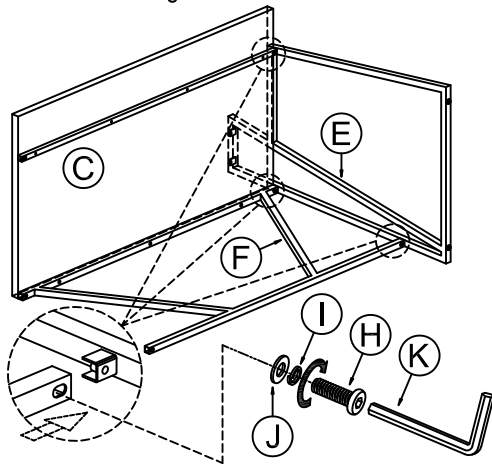


A: Shelf		1
B: Back Panel		1
C: Desk top		1
D: Left Side Frame		1
E: Right Side Frame		1
F: Back Side Frame		1
G: Long Bolts		3
H: Short Bolts		10
I: Lock Washers		13
J: Flat Washers		13
K: Allen Wrench		1
L: Wooden Dowels		3

Step 1

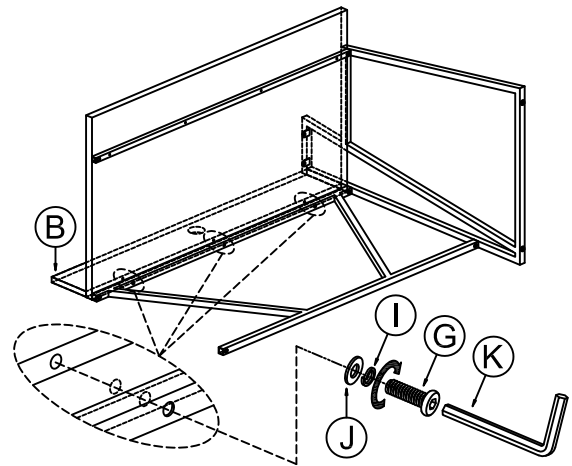
1.1 Insert right side frame's (E) metal tube onto back frame (F), fasten with 2 short bolts, lock washers and flat washers.

1.2 Place the top (C) side up as per following sketch, insert the top metal tube onto right side frame, fasten with 1 short bolt, lock washer and flat washer. Tighten.



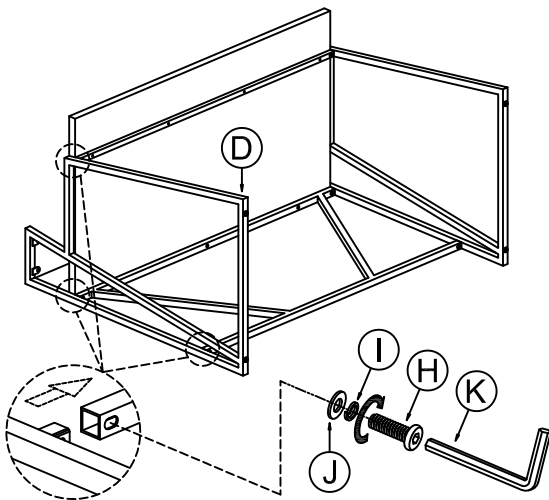
Step 2

Place the back panel (B) with wire cover facing up onto desk top, fasten with 3 long bolts, lock washers and flat washers.



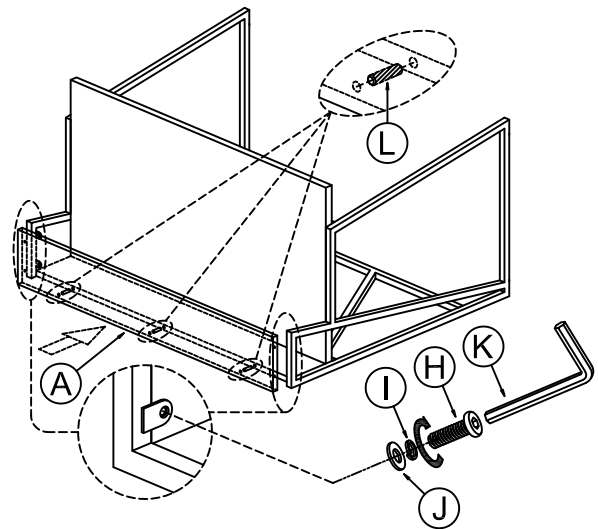
Step 3

Insert the left side frame onto tubes of top and back frame. Fasten with three short bolts, lock washers and flat washers. Tighten.



Step 4

Insert three wooden dowels into predrilled holes of back panel. Align shelf's (A) holes with wooden dowels and fasten with 4 short bolts through side frames' tabs into the bottom of shelf.



Step 5

Place the writing desk upright. Adjust the levelers on the bottom of side frames if needed.

Wire management hole on back of desk: pull the disk out, run wires, and snap disk back in place.

