



4" LED RETROFIT SMOOTH TRIM

DOWNLIGHT RETROFIT FOR STANDARD
4" RECESSED HOUSINGS

JRD4RD06LM_K90W4

Project: _____

Fixture Type: _____

Location: _____

Contact/Phone: _____



PRODUCT DESCRIPTION

Energy efficient LED retrofit module fits into standard 4" IC or non-IC recessed housings • Replaces 50W incandescent lamp, producing over 650 lumens • Dimmable with most standard incandescent, magnetic low voltage and electronic low voltage dimmers • LED retrofit module is designed to provide 36,000 hours of life • 5 year warranty

PRODUCT SPECIFICATIONS

LED Downlight Retrofit Trim Aluminum trim with white smooth and flange • All-in-one design where LED light engine mounts directly to trim for ease of installation into existing 4" recessed housings with medium base sockets • Provided with torsion springs.

LED Light Engine LEDs are mounted directly to aluminum housing providing superior thermal management to ensure long life • 3000K, 3500K, or 4000K LED color temperatures • 90 CRI minimum • Accommodates 120 volts AC at 60Hz • Dimmable with most standard incandescent, magnetic low voltage and electronic low voltage dimmers • For a list of compatible dimmers, see packaging.

Electrical Connections Trim features quick connect plug installed as standard for installation into IC1 LEDT24 and IC1R LEDT24 housings with mating connector • Trim ships with a medium base socket adapter whip for installation into 4" incandescent housings with medium base sockets.

Trim Aluminum smooth trim with white finish • Diffusing lens conceals the LEDs from direct view and provides uniform aperture luminance.

Life Rated for 36,000 hours at 70% lumen maintenance.

Labels ENERGY STAR® Certified • Certified to the high efficacy requirements of California T24 • ETL classified for use with most standard UL listed 4" recessed incandescent housings and Juno IC1 LEDT24 and IC1R LEDT24; see below for specific compatibility requirements • Damp location • Suitable for wet locations (indoor covered ceilings).

Testing All reports are based on published industry procedures; field performance may differ from laboratory performance.

Specifications subject to change without notice.

INSTALLATION

The LED retrofit smooth trim is provided with torsion springs as standard. Accessory kit available for use in housings that do not have torsion spring retaining brackets.

COMPATIBLE HOUSINGS

The JRD retrofit module is compatible with most 4" recessed housings measuring at least 4" high with an inside diameter between 4" and 4-1/2". Removal of the housing socket plate or socket mounting bracket may be required in order for the trim to fit properly.

Compatible housings include, but not limited to:

Juno housings: IC1 and TC1 Series

Juno quick-connect LED housings: [IC1 LEDT24](#) and [IC1R LEDT24](#)

VuLite® housings: V4IC and V4TC Series

Lithonia® housings: L3 Series

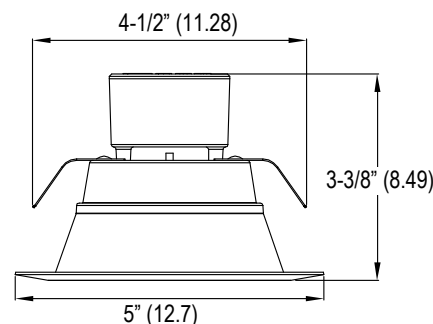
Halo® housings: H99 Series

Thomas® housings: PS4 Series

Capri® housings: P4 and R4 Series



DIMENSIONS



PERFORMANCE DATA

	30K	35K	40K
Input Voltage	120V	120V	120V
Input Power Typical	10.5W	10.3W	10.5W
Frequency	60Hz	60Hz	60Hz
EMI/RFI	FCC Title 47, Part 15 Class B (consumer)	FCC Title 47, Part 15 Class B (consumer)	FCC Title 47, Part 15 Class B (consumer)
Minimum starting temp	-20°C (-68°F)	-20°C (-68°F)	-20°C (-68°F)
CRI	90 min.	90 min.	90 min.
CCT	3000K	3500K	4000K

ACCESSORIES

LEDRETROWHIP

Replacement E26 screw base adapter for installation into incandescent housings.

ORDERING INFORMATION

Ordering Example: JRD4RD06LM30K90W4

Series	
JRD4RD06LM30K90W4	4" LED Round Retrofit, 650 Lumens, 3000K, 90 CRI, White
JRD4RD06LM35K90W4	4" LED Round Retrofit, 650 Lumens, 3500K, 90 CRI, White
JRD4RD06LM40K90W4	4" LED Round Retrofit, 650 Lumens, 4000K, 90 CRI, White

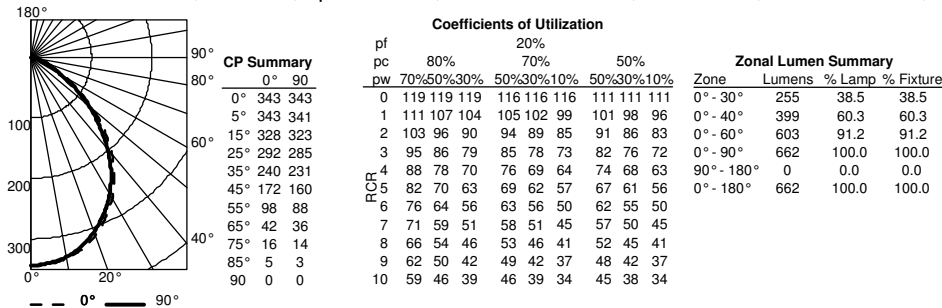
4" LED RETROFIT SMOOTH TRIM

DOWNLIGHT RETROFIT FOR STANDARD
4" RECESSED HOUSINGS
JRD4RD06LM_K90W4

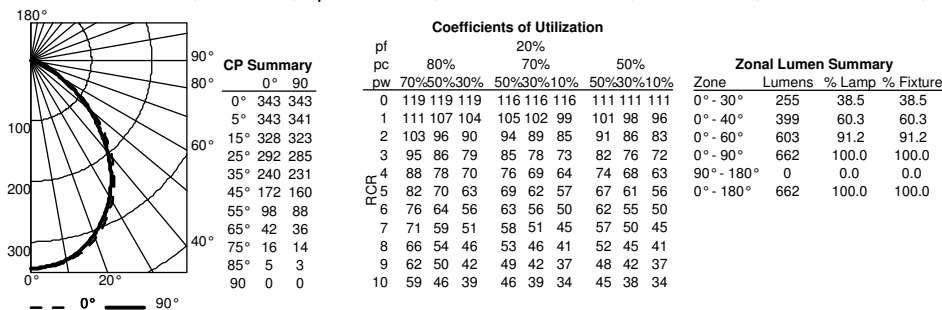
PHOTOMETRICS

Distribution Curve Distribution Data Coefficient of Utilization Illuminance Data at 30" Above Floor for a Single Luminaire

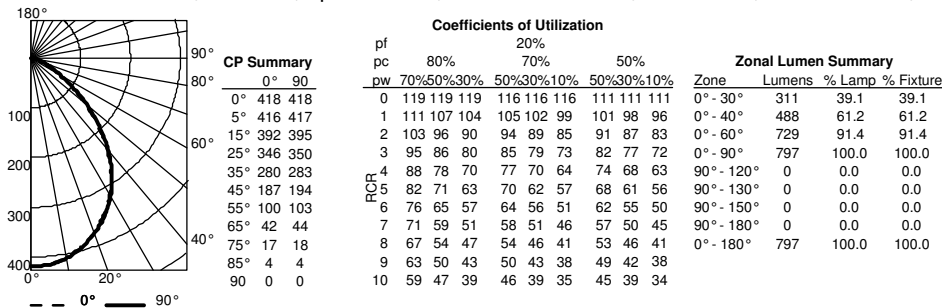
JRD4RD06LM30K90W4, 3000K LEDs, input watts: 10.3, delivered lumens: 661.6, LM/W = 64.23, test no. ISF 34719P1, tested in accordance to IESNA LM-79.



JRD4RD06LM35K90W4, 3500K LEDs, input watts: 10.3, delivered lumens: 661.6, LM/W = 64.23, test no. ISF 34719P2, tested in accordance to IESNA LM-79.



JRD4RD06LM40K90W4, 4000K LEDs, input watts: 10.5, delivered lumens: 797.3, LM/W = 75.93, test no. ISF 183824, tested in accordance to IESNA LM-79.



COMPATIBLE DIMMERS

PASS & SEYMOUR	LUTRON	LEVITON	SYNERGY/LEVITON
HCL453PTCCCV6	DVELV-300P	6633-PA	ISP 120 600
	SELV-300P	6615-P	ISD 600 I 120 / IPI06
	NTELV-300P		ISD 400 ELV 120 / IPE04