

SIMPLITM
H O M E

*WyndenHall*TM
HOME DECOR
brooklyn + maxTM

AMHERST / HALIFAX / WASHINGTON

LOW STORAGE CABINET

MODEL # AXCAMH-004





DO NOT RETURN

FOR REPLACEMENT PARTS OR OTHER INQUIRIES

PLEASE CONTACT US AT:

simpli-home.com/customer-support

PLEASE ENSURE TO HAVE THE MODEL #

FROM THE PACKAGING OR

INSTRUCTION BOOKLET

IMPORTANT : Please read this manual carefully before beginning assembly of this product. Keep this manual for future reference.

SAFETY INFORMATION

Identify all the parts and hardware. Do not discard of the packaging until you have checked that you have all of the parts and hardware required. Hardware package may have spare parts.

WARNING: This item contains small parts which can be swallowed by children and pets. Keep children and pets away during assembly. To avoid danger of suffocation, always keep plastic bags away from children and pets. We recommend that you assemble this unit on a carpeted floor to avoid scratches. We do not recommend the use of power tools for assembly as this could damage the unit. Only use manual tools.

May require 2 people for ease of assembly.

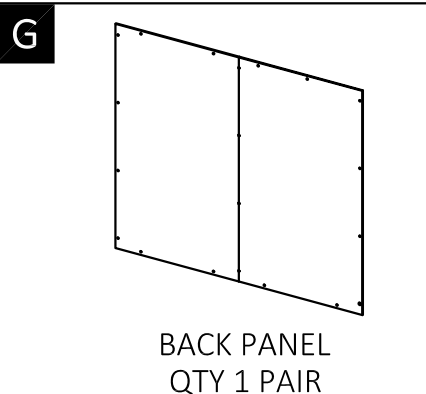
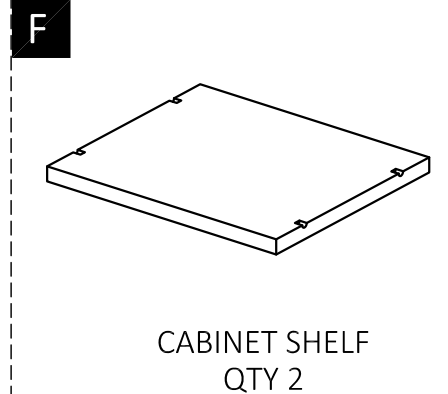
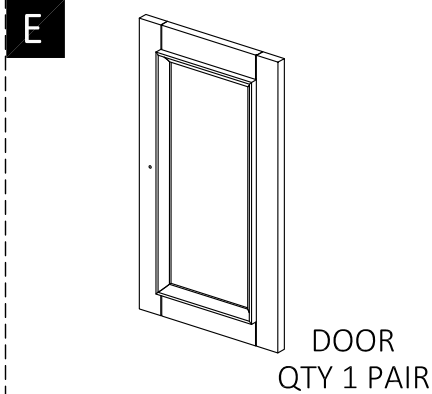
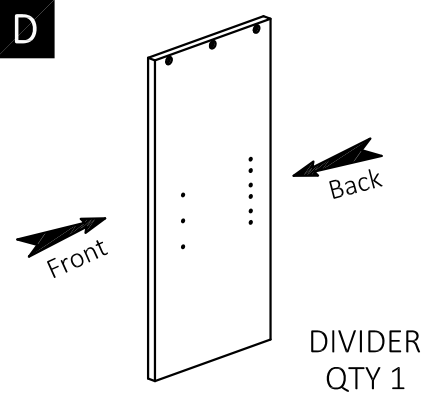
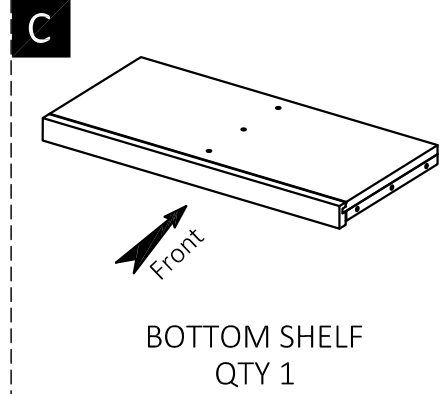
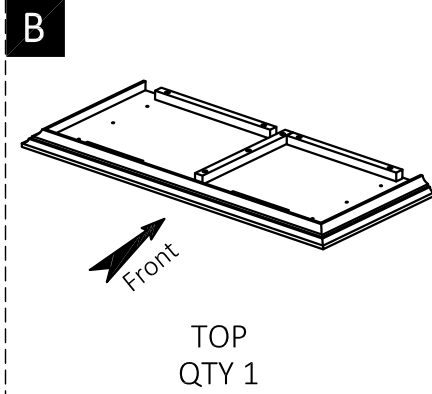
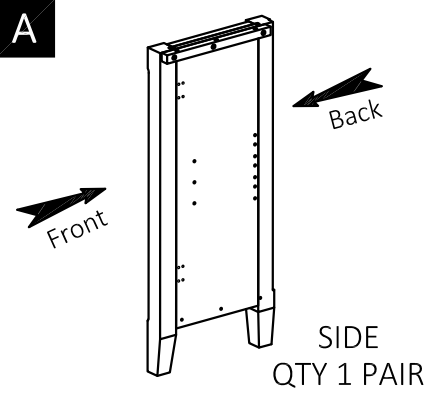
CARE and MAINTENANCE

To clean, use a soft or slightly damp cloth, then wipe with a clean, dry cloth. Dust with soft dry cloth.

Do not use ammonia-based cleaning products, as they will damage the finish. Do not leave liquids or damp cloths on this furniture.

To avoid dulling of the finish, do not place furniture in direct sunlight. Please inspect and tighten all screws or bolts on a regular basis to ensure proper performance and safety of your item.

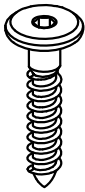
PART DESCRIPTION



NEED HELP? For help with assembly or if you are missing a part,
Please call customer service at 1-866-518-0120 ext. 262 (9 am to 5 pm EST)

HARDWARE DESCRIPTION

1



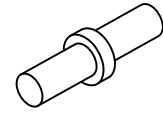
ALLEN KEY SCREW
M6 X 30mm
QTY 18

2



ALLEN KEY
QTY 1

3



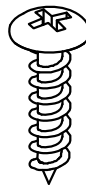
SHELF SUPPORT
QTY 12

4



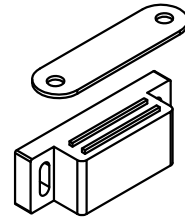
PHILLIPS SCREW
M3 X 15mm
QTY 8

5



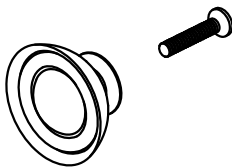
PHILLIPS SCREW
ROUND HEAD
M4 X 15mm
QTY 20

6



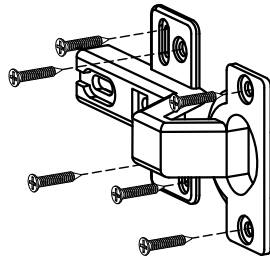
MAGNET AND PLATE
QTY 2 SETS

7



HANDLE
QTY 2 SETS

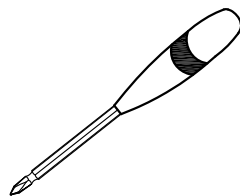
8



HINGE
M3.5 X 15mm
QTY 4 SETS

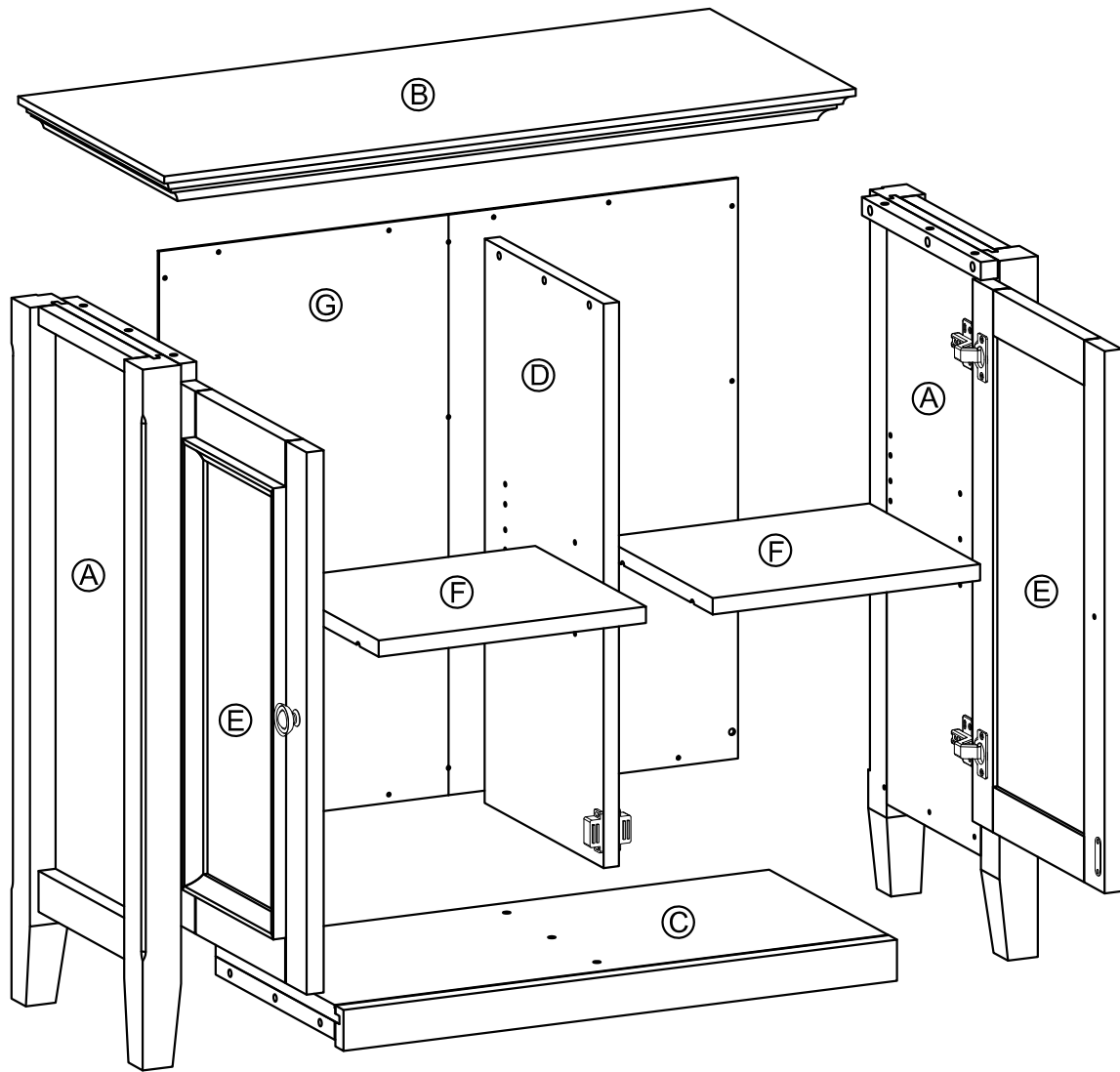
9

-
- a. M4 X 25mm - QTY 1
 - b. M4 X 15mm - QTY 1
 - c. M4 X 25mm - QTY 1
- TIPPING RESTRAINT
QTY 1 SET

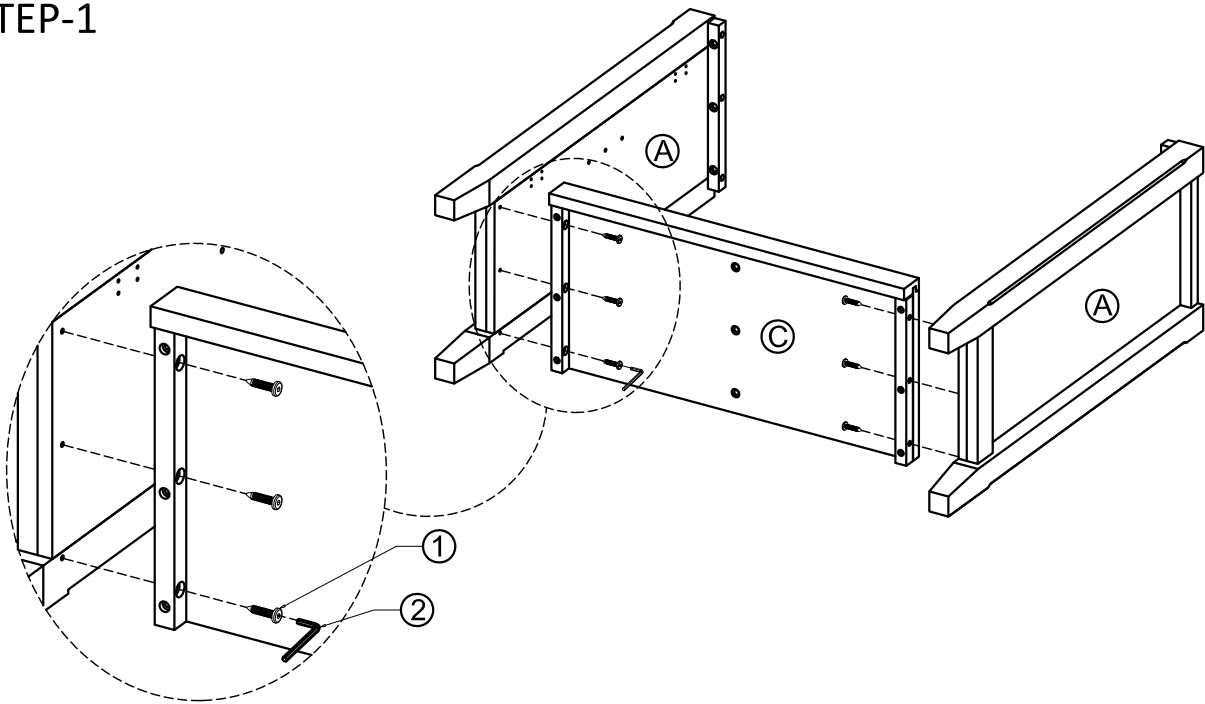


Required -
Phillips screwdriver
Not Included

NEED HELP? For help with assembly or if you are missing a part,
Please call customer service at 1-866-518-0120 ext. 262 (9 am to 5 pm EST)

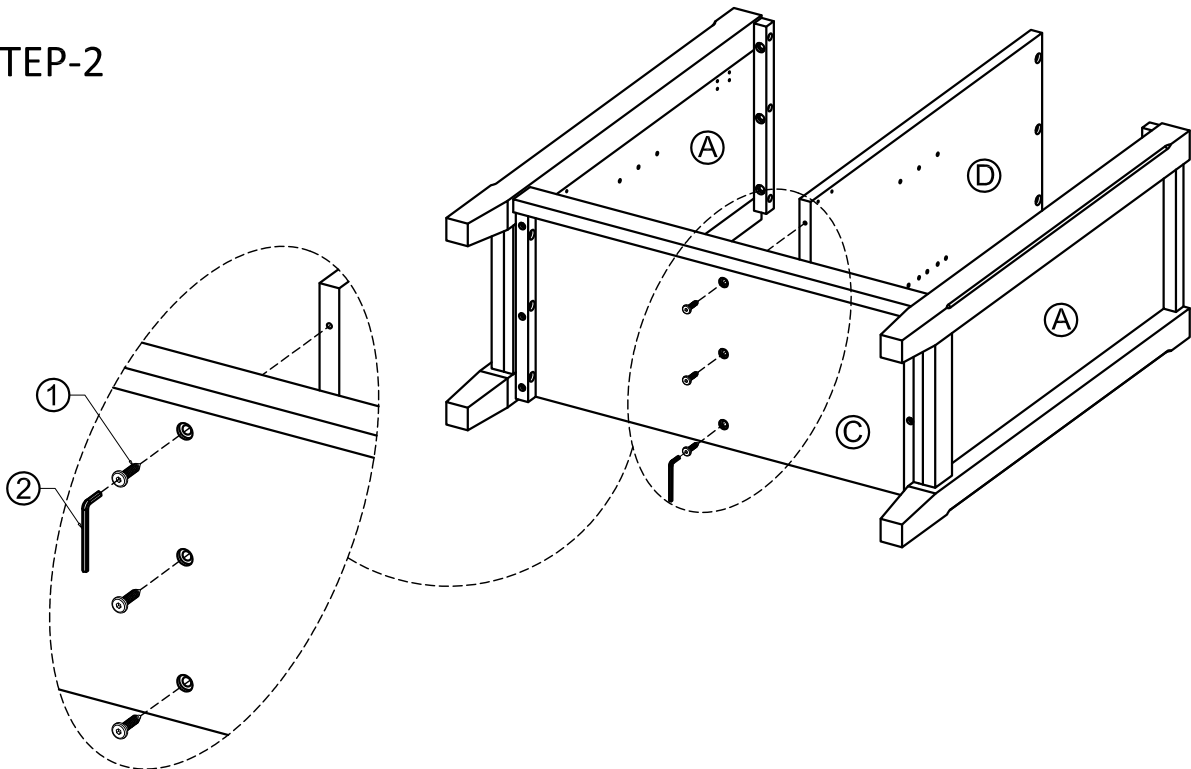


STEP-1



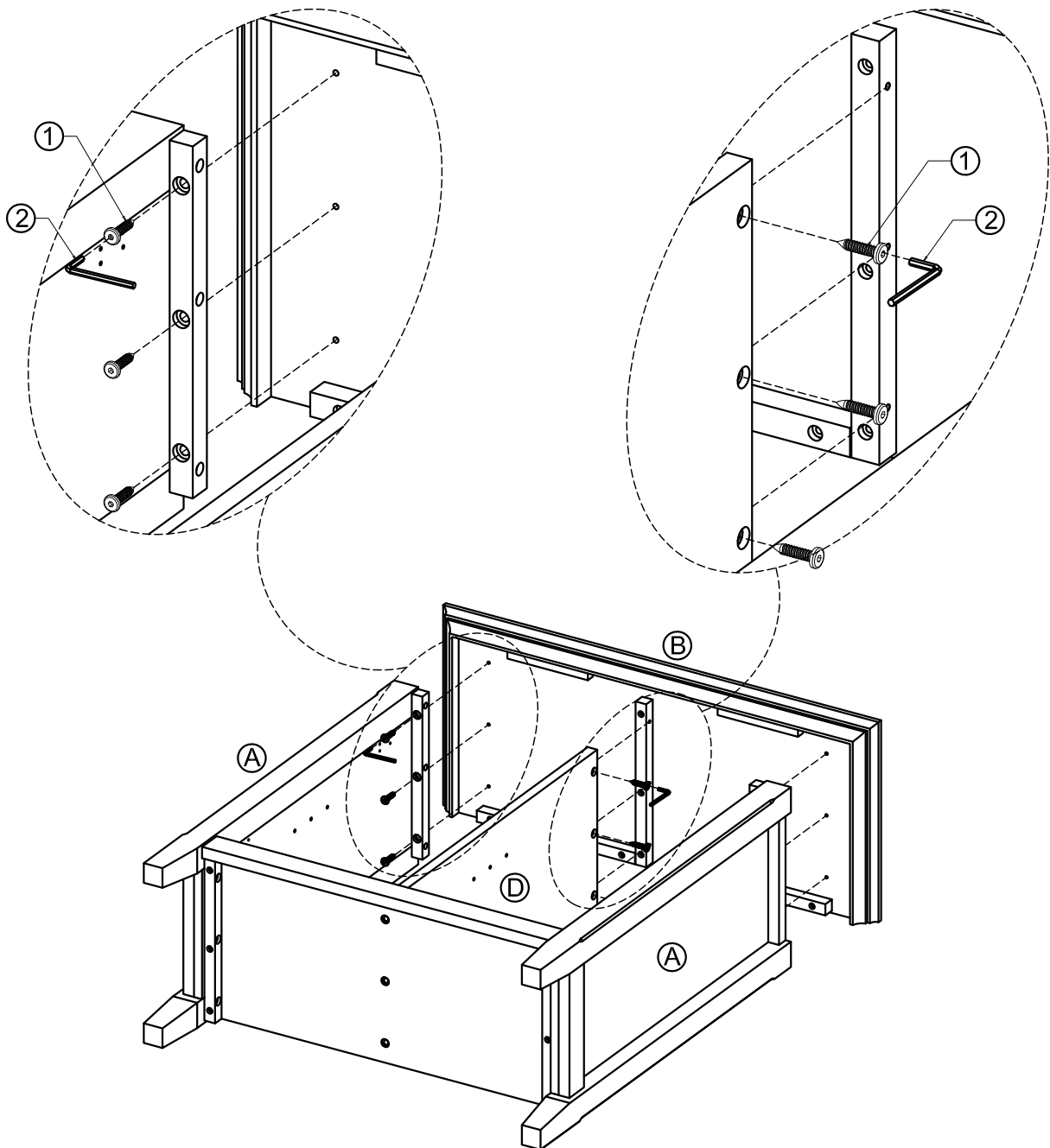
1. Attach Sides (A) to Bottom Shelf (C) using 6 Allen Key Screws (1) (3 screws on each Side) .
2. Use Allen Key (2) to tighten screws. Do not over-tighten.

STEP-2



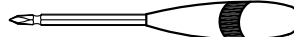
1. Attach Divider (D) to Bottom Shelf (C) using 3 Allen Key Screws (1).
2. Use Allen Key (2) to tighten screws. Do not over - tighten.

STEP-3

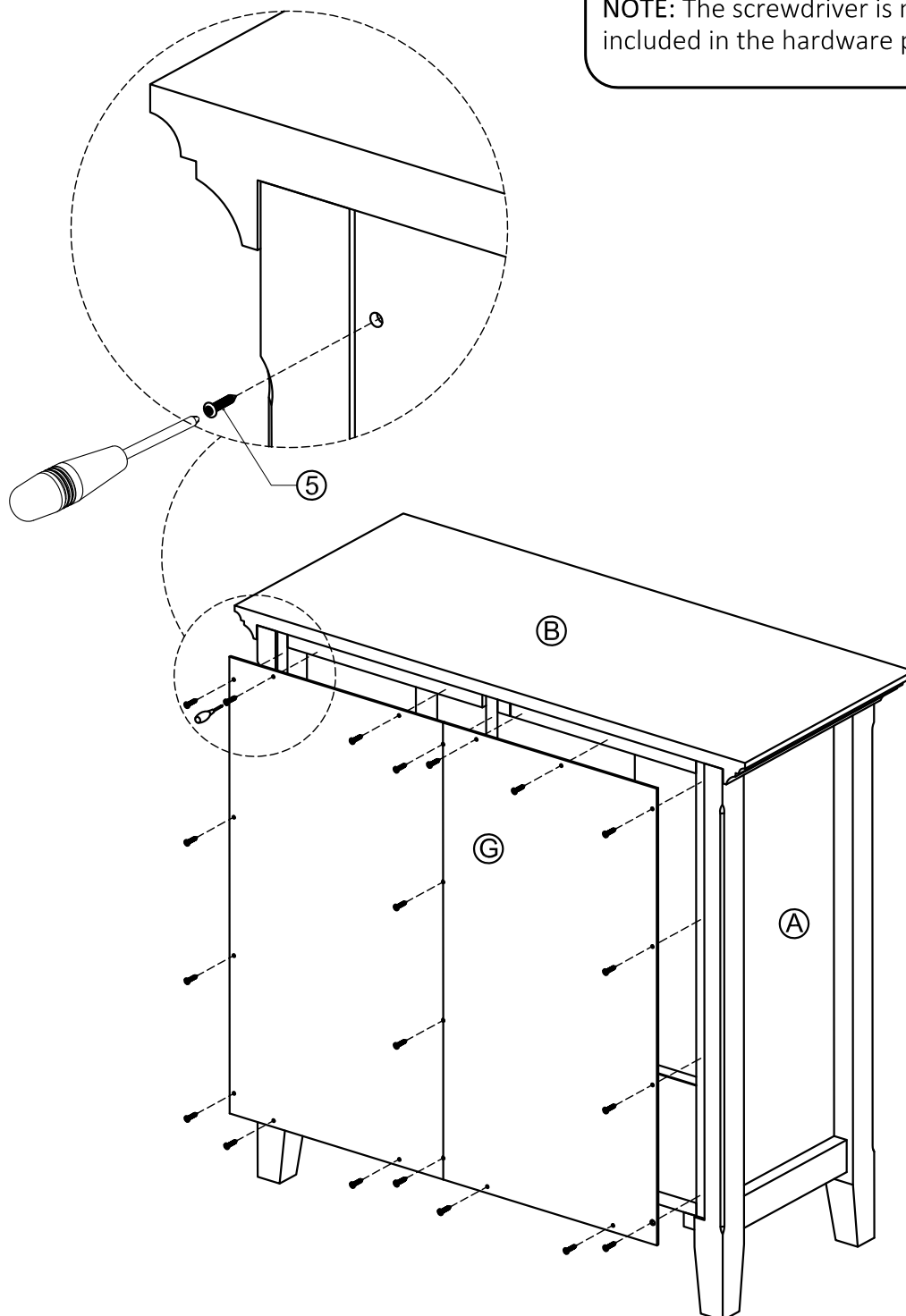


1. Attach Top (B) to Sides (A) and Divider (D) using 9 Allen Key Screws (1) (3 screws on each Side and Divider).
2. Use Allen Key (2) to tighten Screws. Do not over-tighten.

STEP-4

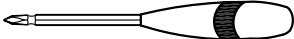


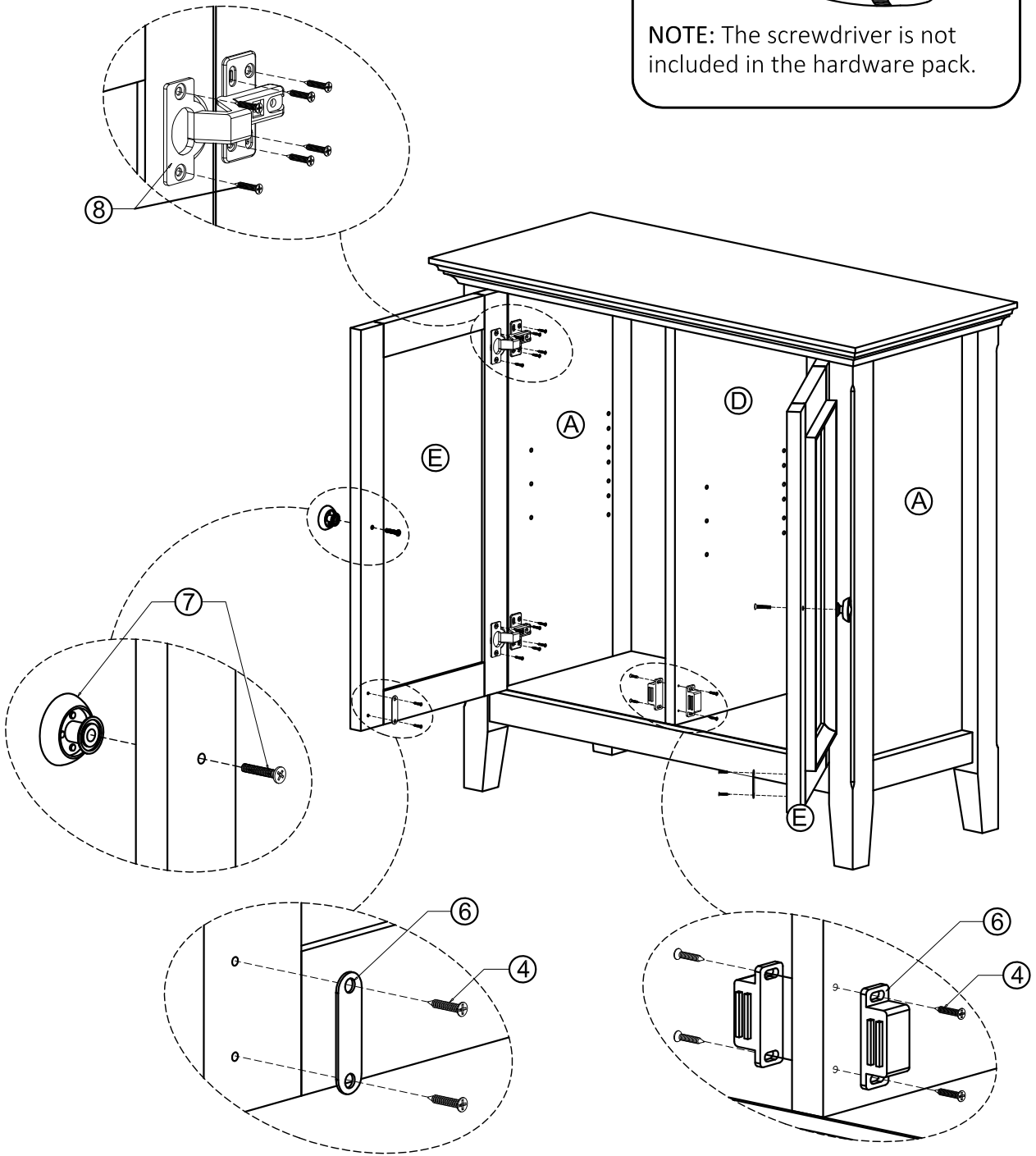
NOTE: The screwdriver is not included in the hardware pack.



1. Attach Back Panels (G) to back frame of cabinet using 20 Phillips Screws Round Head (5) through pre-drilled holes.
2. Use Phillips Screwdriver to tighten screws.

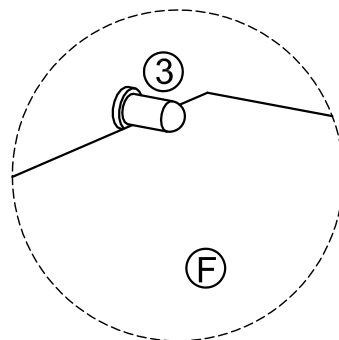
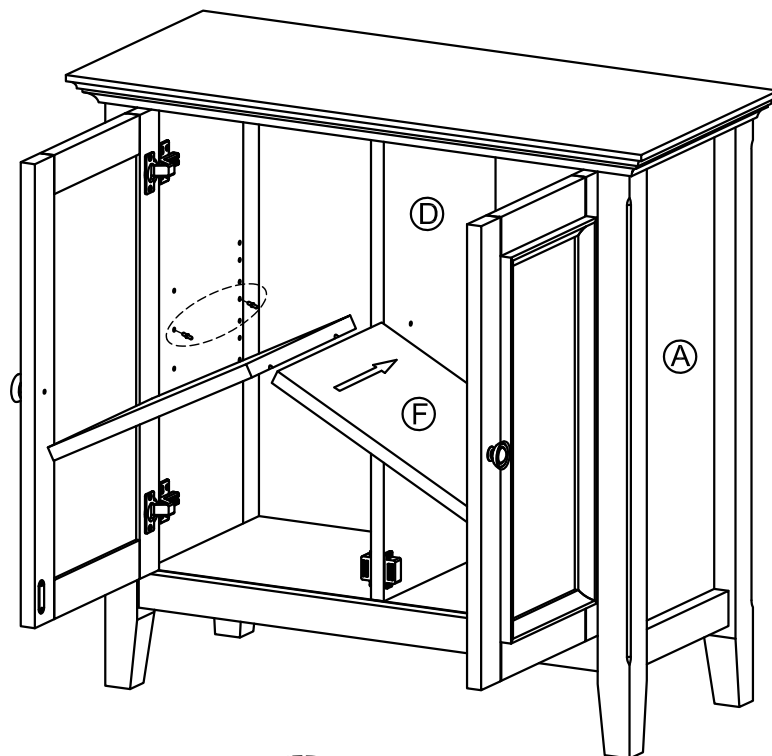
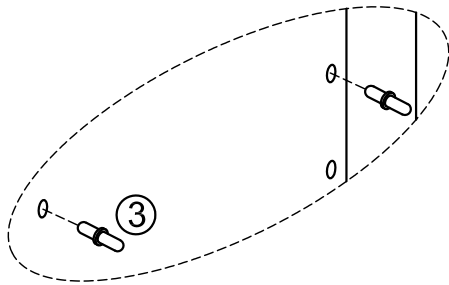
STEP-5


NOTE: The screwdriver is not included in the hardware pack.



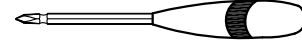
1. Attach Hinges (8) to Doors (E) and Sides (A) using Phillips Screws (8) into guide holes.
2. Attach Magnet Plates (6) to bottom corner of Doors (E) using Phillips Screws (4) into guide holes on Doors (E).
3. Attach Magnets (6) using Phillips Screws (4) into guide holes on Divider (D).
4. Use Phillips screwdriver to snugly tighten screw.
5. Use Phillips screwdriver to attach Handle (7) to Doors (E).

STEP-6

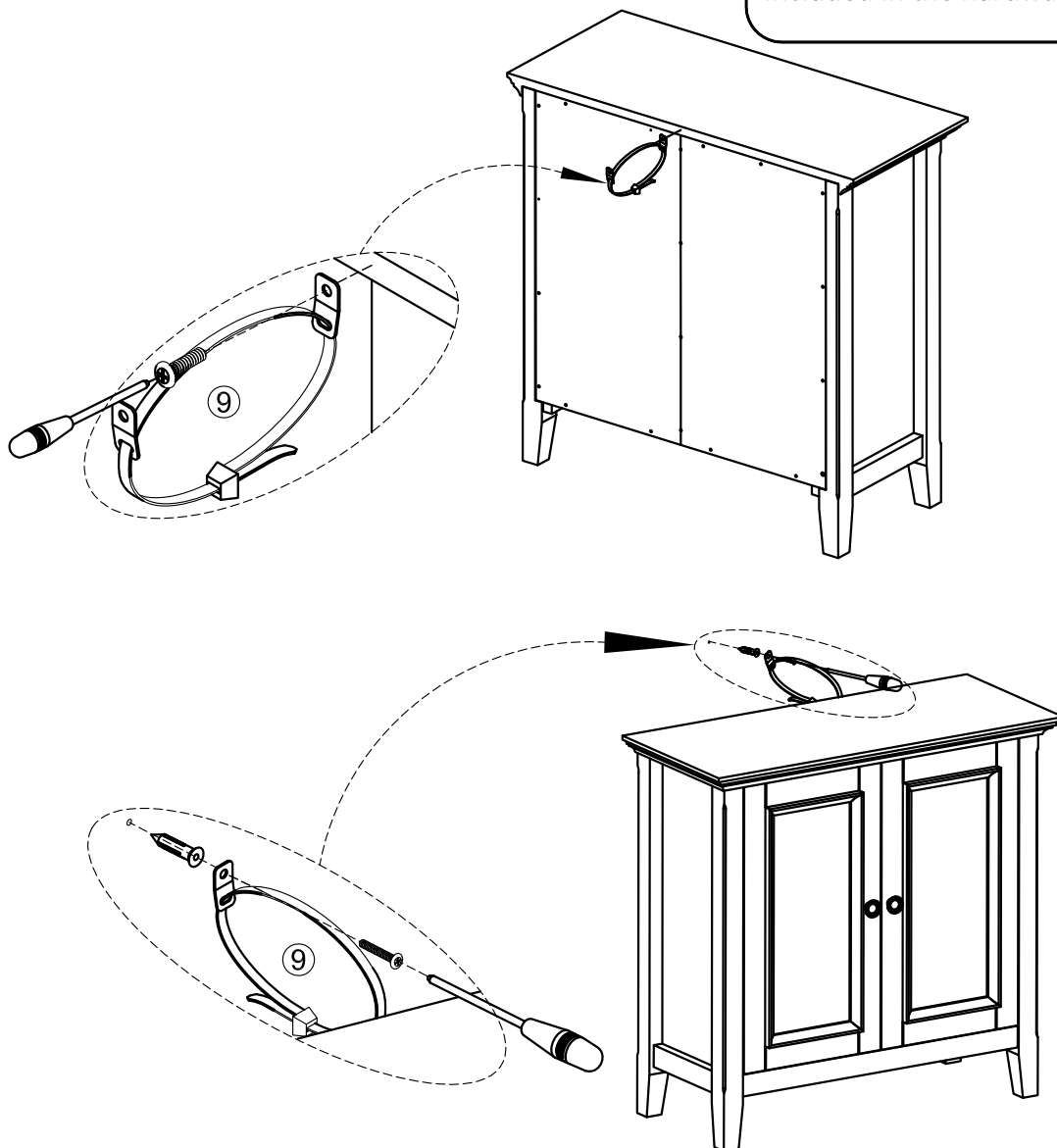


1. Use 4 Shelf Supports (3) for each Cabinet Shelf (F) in desired location.
2. 2 Shelf Supports (3) may be used on back top of each Cabinet Shelf (F) as a tipping restraint.

NOTE: Injuries and damage can occur from furniture tip-over. It is important to use the safety bracket included. If the tipping restraint kit is not in the box, please contact our customer service department in order to obtain another kit before using the furniture.

STEP-7

NOTE: The screwdriver is not included in the hardware pack.



1. To attach Tipping Restraint (9), follow instructions on Tipping Restraint package.

When you determined the location for your unit, install the Furniture Tipping restraint. Carefully follow the instructions contained on the package.



WARRANTY

Thank you for purchasing a **Simpli Home – Wyndenhall – Brooklyn + Max** product. These products have been made to demanding, high-quality standards and are guaranteed for domestic use against manufacturing faults for a period of 12 months from the date of purchase. This warranty does not affect your statutory rights.

In case of any malfunction of your product (failure, missing parts, etc.) please contact us at our toll free service line at 1-866-518-0120 ext. 262 from 9 am to 5 pm, Monday to Friday, Eastern Standard Time or by email at simpli-home.com/customer-support.

We reserve the right to repair or replace the defective product, at its discretion.

This product is guaranteed for 12 months if used for normal purposes. Any warranty is invalid if the product has been overloaded or subject to neglect, improper use or an attempted repair by other than an authorized agent. Heavy-duty or daily professional/commercial usage are not guaranteed.

Due to continuous product improvement, we reserve the right to change the product specifications without prior notice.

PLEASE NOTE: This item is hand-crafted and hand-finished with utmost care. As such, variations and imperfections should be expected and should be welcomed as the natural beauty of the wood.



Question, problems, missing parts?

Before returning please email Customer Support at
simpli-home.com/customer-support

or call

Customer Service at 1-866-518-0120 ext. 262
Monday to Friday between 9 am – 5 pm EST

For more information visit us on our website
www.simpli-home.com

Like us on facebook
www.facebook.com/simplihomefurnishings

SIMPLITM
H O M E

WyndenHallTM
HOME DECOR
brooklyn + maxTM

**ENTER
TO WIN**

**Upload an image of our furniture in your
home with a short review to our
facebook page and have a chance to**

**Win your choice of any one of
Simpli Home furniture pieces
Free!!!**

www.facebook.com/simplihomefurnishings

(draws monthly – shipping included)

(vanities not included)

