

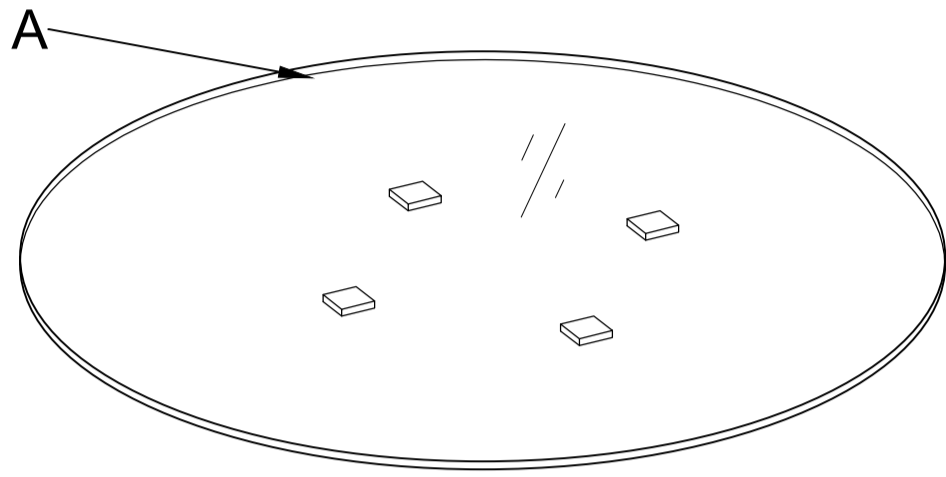
AMALFI ROUND TABLE(GLASS TOP) ASSEMBLY INSTRUCTIONS



PARTS PACKING CONFIGURATIONS

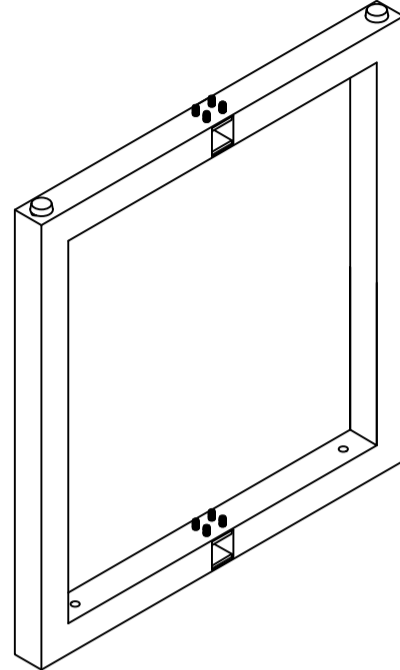
BOX # 1

A. TABLE TOP 1PC

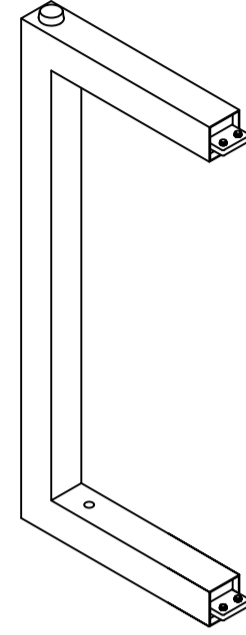


BOX # 2

B. MAIN LEG 1PC



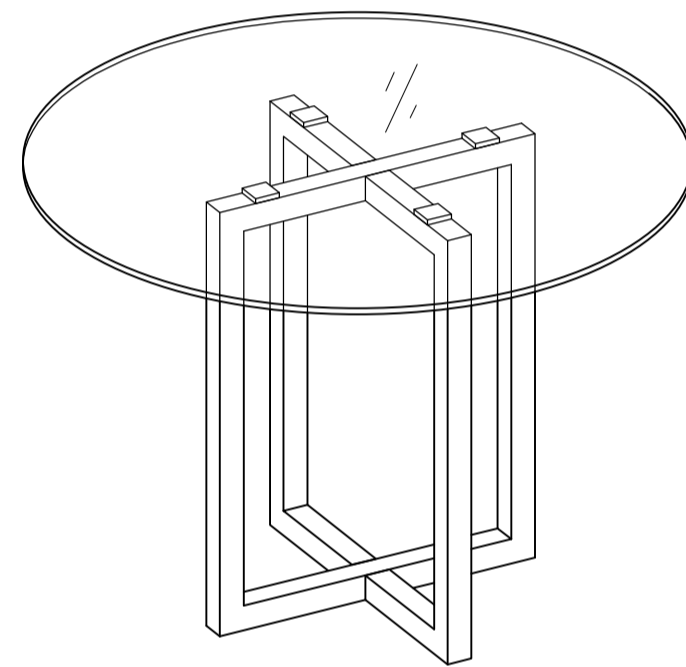
C. SECONDARY LEG 2PCS



HARDWARE KIT PACKED IN BOX #1

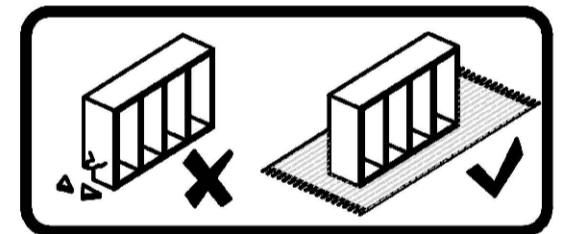
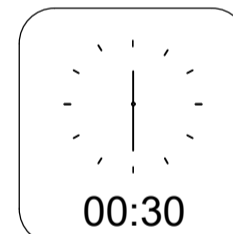
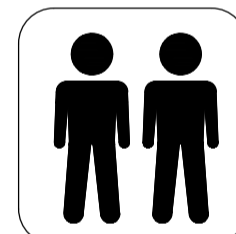
NO.	DESCRIPTION	IMAGE	QTY
1	ALLEN BOLT (M8x60mm)		4 PCS
2	SPRING WASHER (M8)		4 PCS
3	FLAT WASHER (M8)		4 PCS
4	FELT PAD		4 PCS
5	ALLEN KEY (M5)		1 PC

FULLY ASSEMBLED

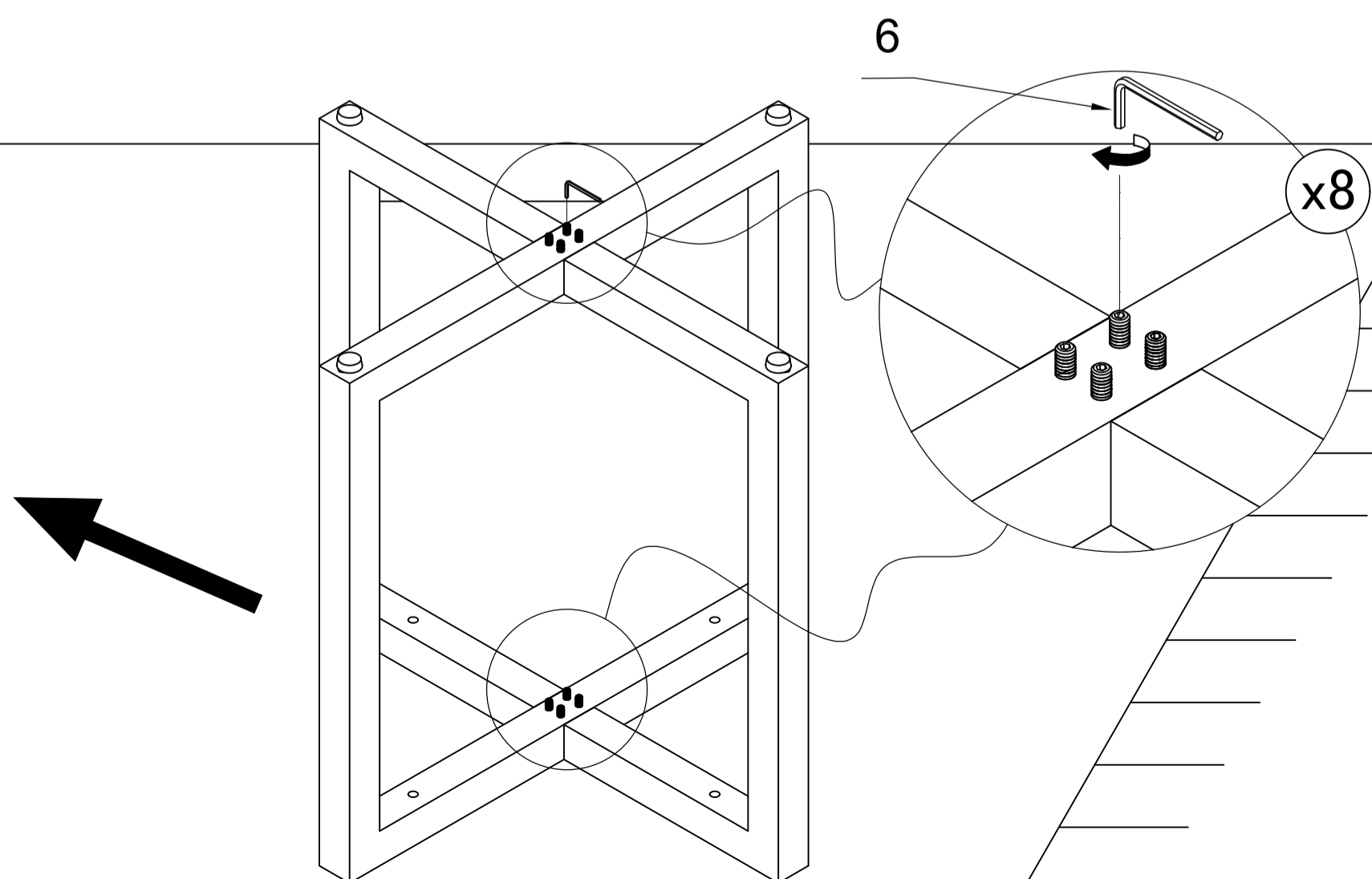
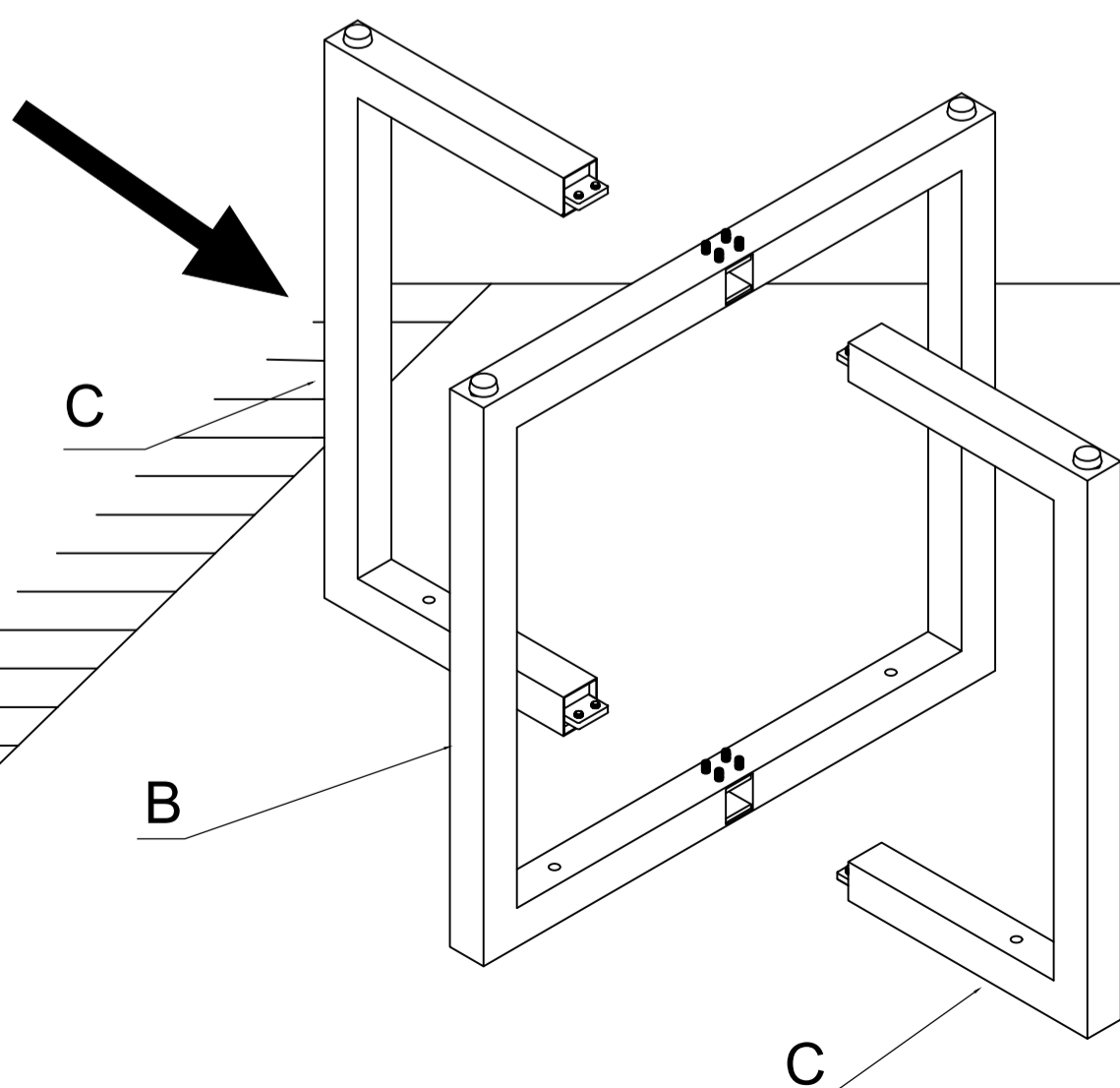
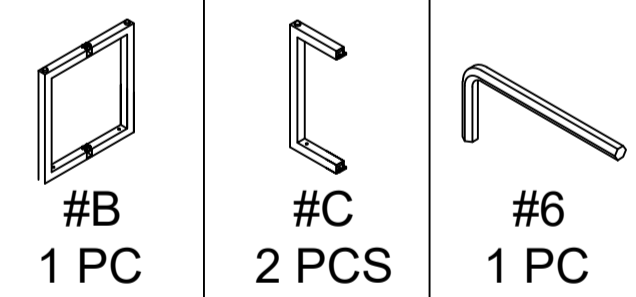


HARDWARE KIT PACKED IN BOX #2

6	ALLEN KEY (M4)		1 PC
---	----------------	--	------



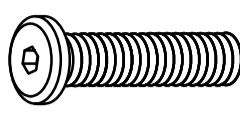
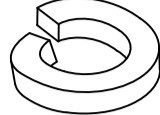
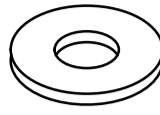
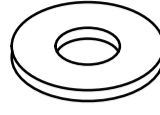
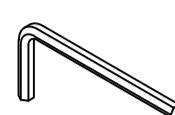
STEP 1:

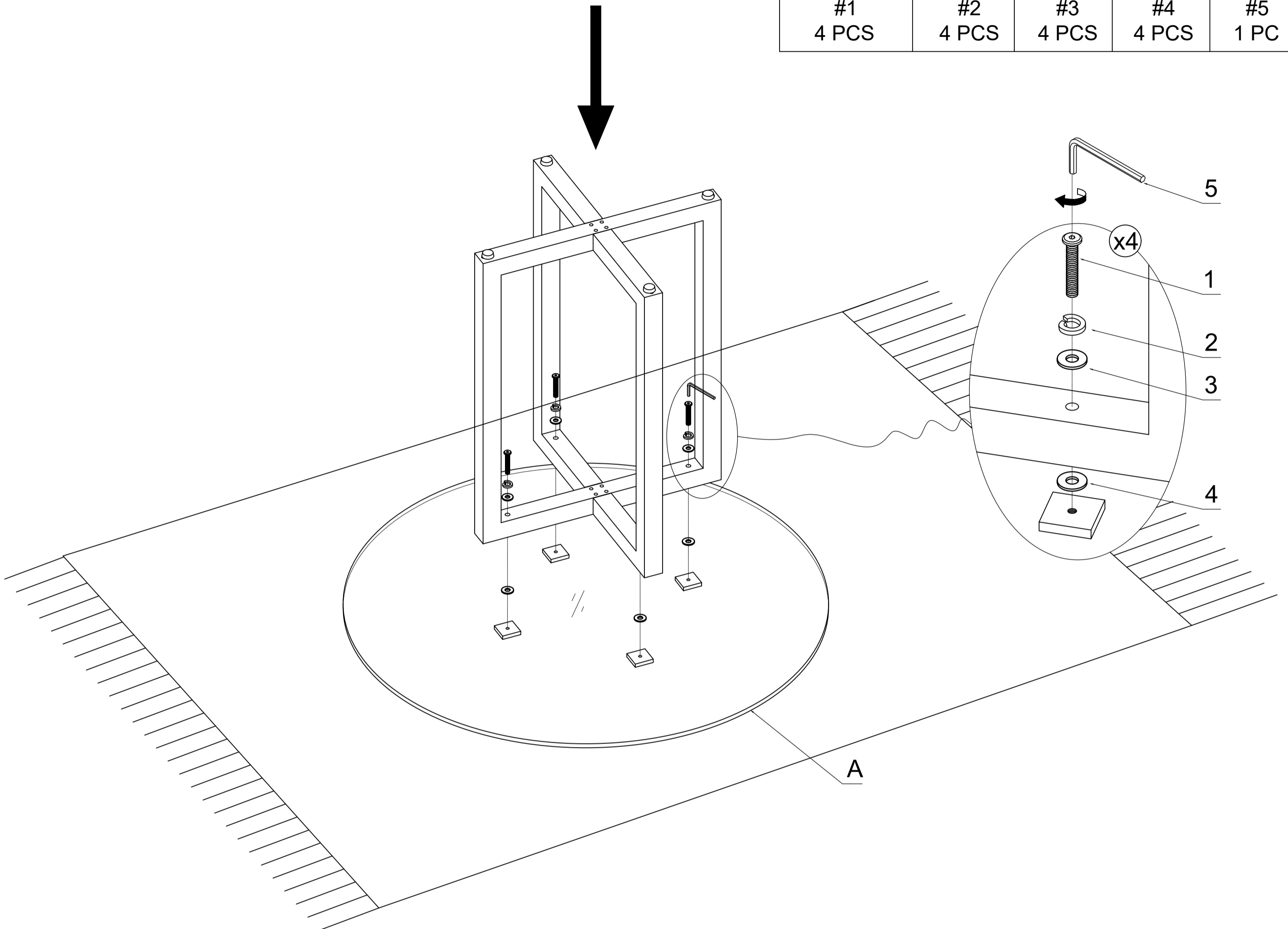


AMALFI ROUND TABLE (GLASS TOP) ASSEMBLY INSTRUCTIONS

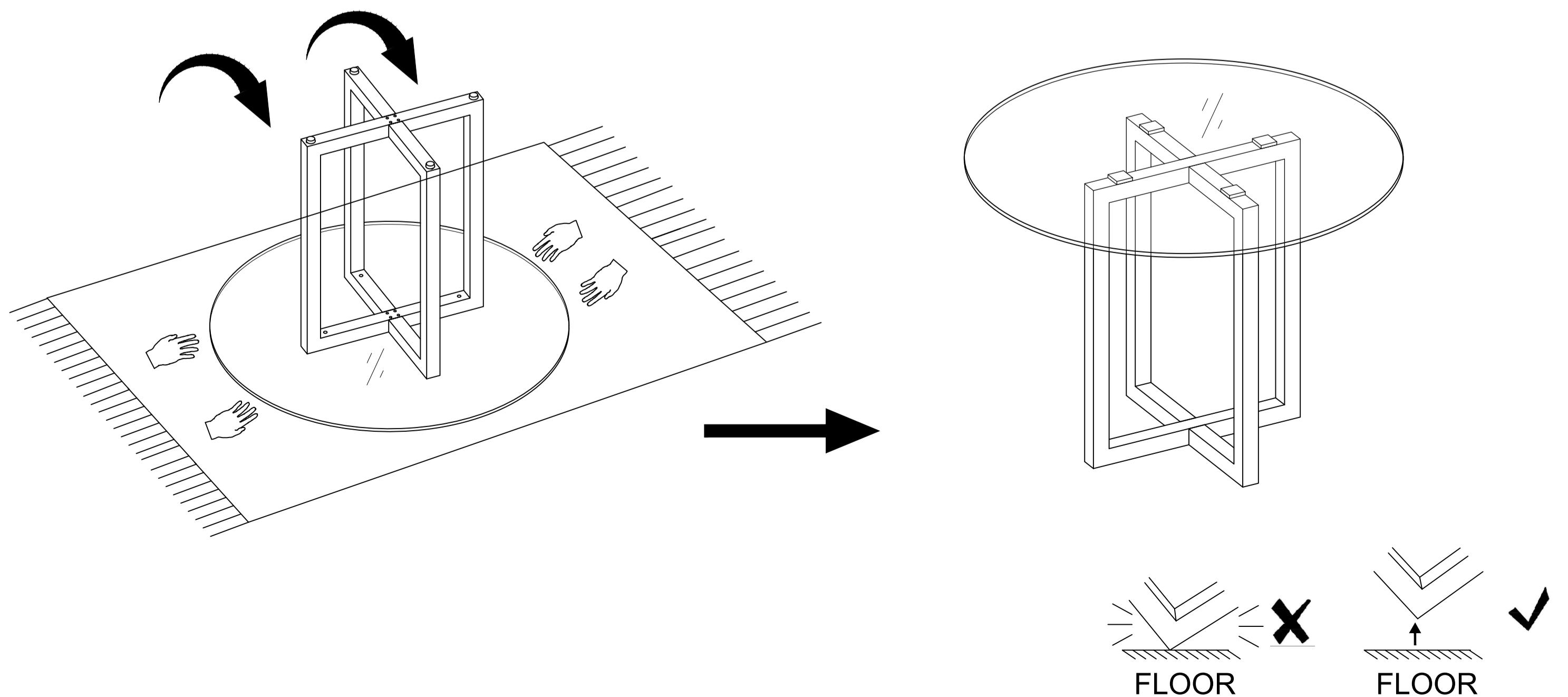


STEP 2:

				
#1 4 PCS	#2 4 PCS	#3 4 PCS	#4 4 PCS	#5 1 PC



STEP 3:



AMALFI ROUND TABLE (GLASS TOP) ASSEMBLY INSTRUCTIONS



ASSEMBLY COMPLETE

