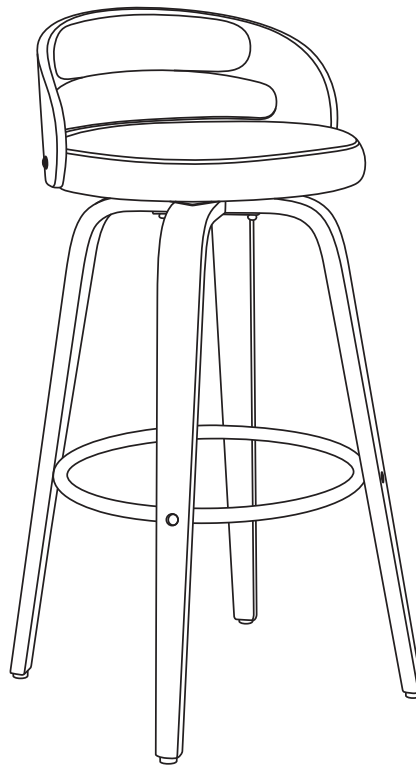
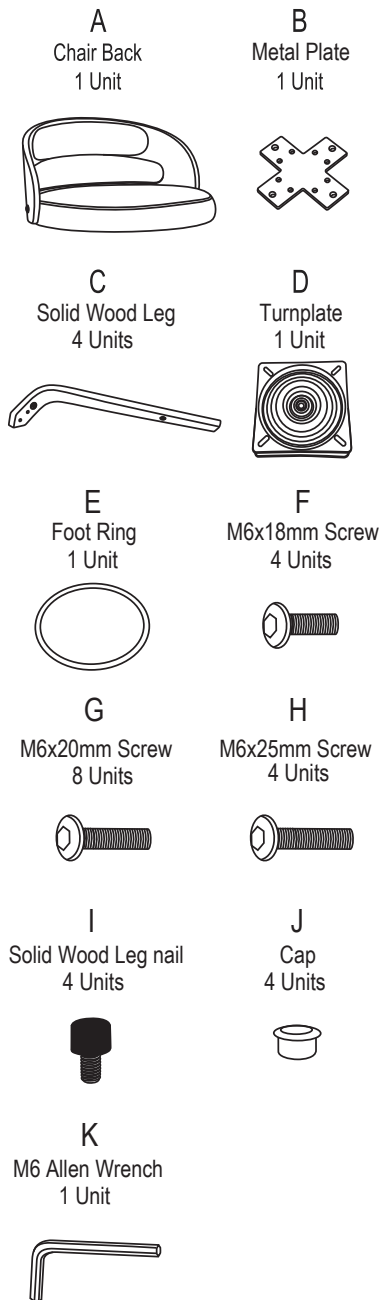


Model 161-WV30C/WF30C Wood and Swivel Bar Stool

Parts Listing



Assembly Instructions



Tools Needed: Allen Wrench - Provided

Please read all instructions before assembly.

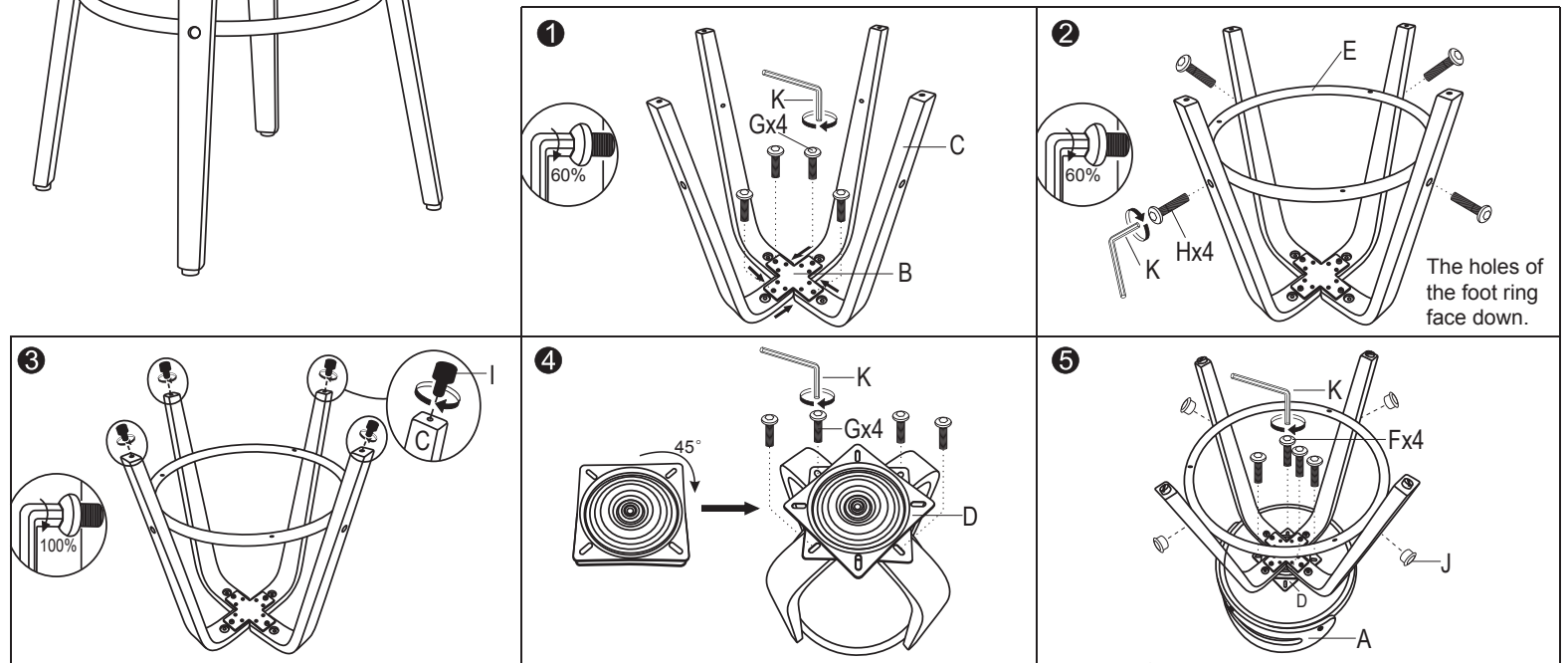
Step 1: Attach metal plate(B) to four Solid Wood Legs(C) , using four M6x20mm Screw(G) first as shown.Tighten with M6 Allen Wrench (K). Do not fully tighten screws.

Step 2: Attach Foot Ring(E) to four Solid Wood Legs(C) , using four M6x25mm Screws(H) as shown.Tighten with M6 Allen Wrench (K).Do not fully tighten screws.

Step 3: Install the nail(I) at the bottom of the Solid Wood Legs(C) .Tighten the screws fully.

Step 4: Attach Turnplate(D) to four Solid Wood Legs (C) , using four M6x20mm Screws(G) as shown.Tighten with M6 Allen Wrench (K).

Step 5: Attach Turnplate(D) to Chair Back(A),using four M6*18mm Screws (F) as shown. Tighten with M6 Allen Wrench (K).And then put the four Caps(J) on the Solid Wood Legs(C) as shown.



WEIGHT CAPACITY: 275 lbs.

Assembly Notes:

During assembly, hand tighten screw only when all screws are in place, you may then tighten all screws completely.

CAUTION:

1. Do not use this chair as a step ladder.
2. Check for loose screws and tighten them every 6 months.

161 Tradition Trail Holly Springs, NC, 27540
800-520-7471 (voice) 919-362-4765 (fax)
919- 303-6389 (voice) www.ofmnc.com
support@ofmnc.com



Essentials
BY OFM

CONTROL INSTRUCTIONS
INSTRUCCIONES DEL CONTROL
INSTRUCTIONS DE RÉGLAGE

161-WV30C/WF30C

