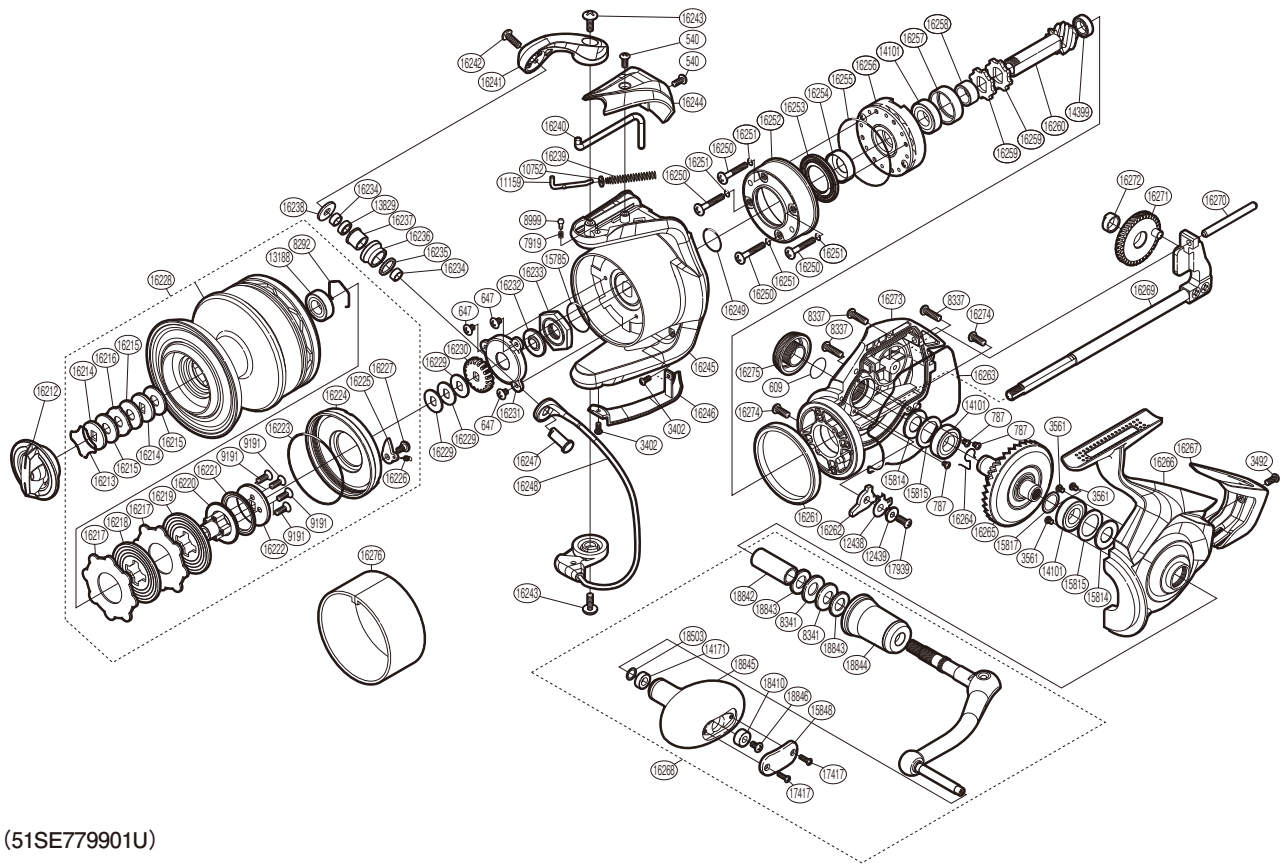


SHIMANO

Saragosa

SRG-20000SW



(51SE779901U)

#	Part No.	Description	#	Part No.	Description	#	Part No.	Description
540	103GS	Screw	16219	10BY5	Spool Drag Disk	16253	10MH2	Roller Clutch Water Proof
609	108WK	O Ring	16220	10LU0	Bearing Bushing	16254	10K7T	Rotor Ring
647	10QG5	Screw	16221	10JPL	Bearing Water Proof	16255	108WX	O Ring
787	103L6	Screw	16222	10J07	Spool Support	16256	10QPG	Roller Clutch Assembly
3402	103ND	Screw	16223	108WY	O Ring	16257	10JAA	Bearing Housing
3492	103DC	Screw	16224	10NF9	Drag Cover	16258	10BBV	Pinion Gear Collar
3561	10MT4	Screw	16225	102H4	Drag Click	16259	107ZQ	Anti-Reverse Ratchet
7919	1077Q	Click Spring	16226	10BQ9	Drag Click Spring	16260	10C1X	Pinion Gear
8292	10LWM	Bearing Retainer	16227	10A6T	Screw	16261	104G9	Friction Ring
8337	10MBH	Screw	16228	10HSF	Spool Assembly	16262	10J3T	Assist Anti-reverse Pawl
8341	109LA	Washer	16229	10700	Spool Support Washer	16263	10CDC	Body Seal
8999	10HEA	Click Pin	16230	103N0	Spool Support	16264	1067B	Anti-Reverse Pawl Spring
9191	10ML9	Screw	16231	10K34	Nut Lock Plate	16265	10EKE	Drive Gear
10752	10TYE	Spring Guide A Support	16232	107F9	Bearing Water Proof	16266	104D0	Side Cover
11159	105LV	Bail Spring Guide A	16233	10813	Rotor Nut	16267	10NKV	Rear Protector
12438	102VH	Anti-Reverse Pawl Cover	16234	10CZT	Line Roller Collar	16268	10N7E	Handle Assembly
12439	10J3U	Anti-Reverse Pawl Collar	16235	1072L	Line Roller Spacer	16269	10NF7	Main Shaft Assembly
13188	10BGD	Ball Bearing	16236	10KY1	Line Roller	16270	1035J	Oscillating Guide
13829	104JZ	Ball Bearing	16237	107RP	Line Roller Bushing	16271	10G9R	Oscillating Gear
14101	104PW	Ball Bearing	16238	107X5	Line Roller Washer	16272	103QT	Oscillating Gear Bushing
14171	104UJ	Handle Knob Bushing	16239	105R2	Bail Spring	16273	10B91	Body
14399	105BK	Ball Bearing	16240	106KQ	Bail Trip Lever	16274	10M6Y	Screw
15785	10CG0	O Ring	16241	10KLL	Bail Arm	16275	10N4C	Handle Screw Cap
15814	10CD2	Bearing Water Proof	16242	10PMW	Screw	17417	10L1T	Screw
15815	10BGG	Washer	16243	103UN	Screw	17939	10LLE	Screw
15817	105U4	Washer	16244	10882	Bail Spring Cover	18410	10EU0	Handle Knob Bushing A
15848	108T1	Handle Knob I.D. Plate	16245	10PYB	Rotor	18503	101BD	Washer
16212	102EE	Drag Knob	16246	10MNF	Bail Hold Support Guard	18842	10PQC	Handle Shaft Cover B
16213	10B8Q	Drag Washers Retainer	16247	10Q3H	Line Roller Support	18843	10C6B	Washer
16214	10BCA	Key Washer	16248	1073H	Bail Assembly	18844	10C1S	Handle Shaft Cover
16215	10348	Drag Washer	16249	108WV	O Ring	18845	10T7K	Handle Knob Assembly
16216	102Z9	Eared Washer	16250	10A6U	Screw	18846	10T7L	Screw
16217	10C1C	Drag Washer	16251	108WW	O Ring			
16218	10BSA	Spool Drag Disk	16252	10MHB	Roller Clutch Water Proof Cover	16276	109V0	Line Band (accessory)

Please note that the number of adjusting washers may not be the same as shown in the exploded views.
(Adjustment will vary with each individual product.)

(241030)_004