

Outer line size: 811*532mm

Kräus®

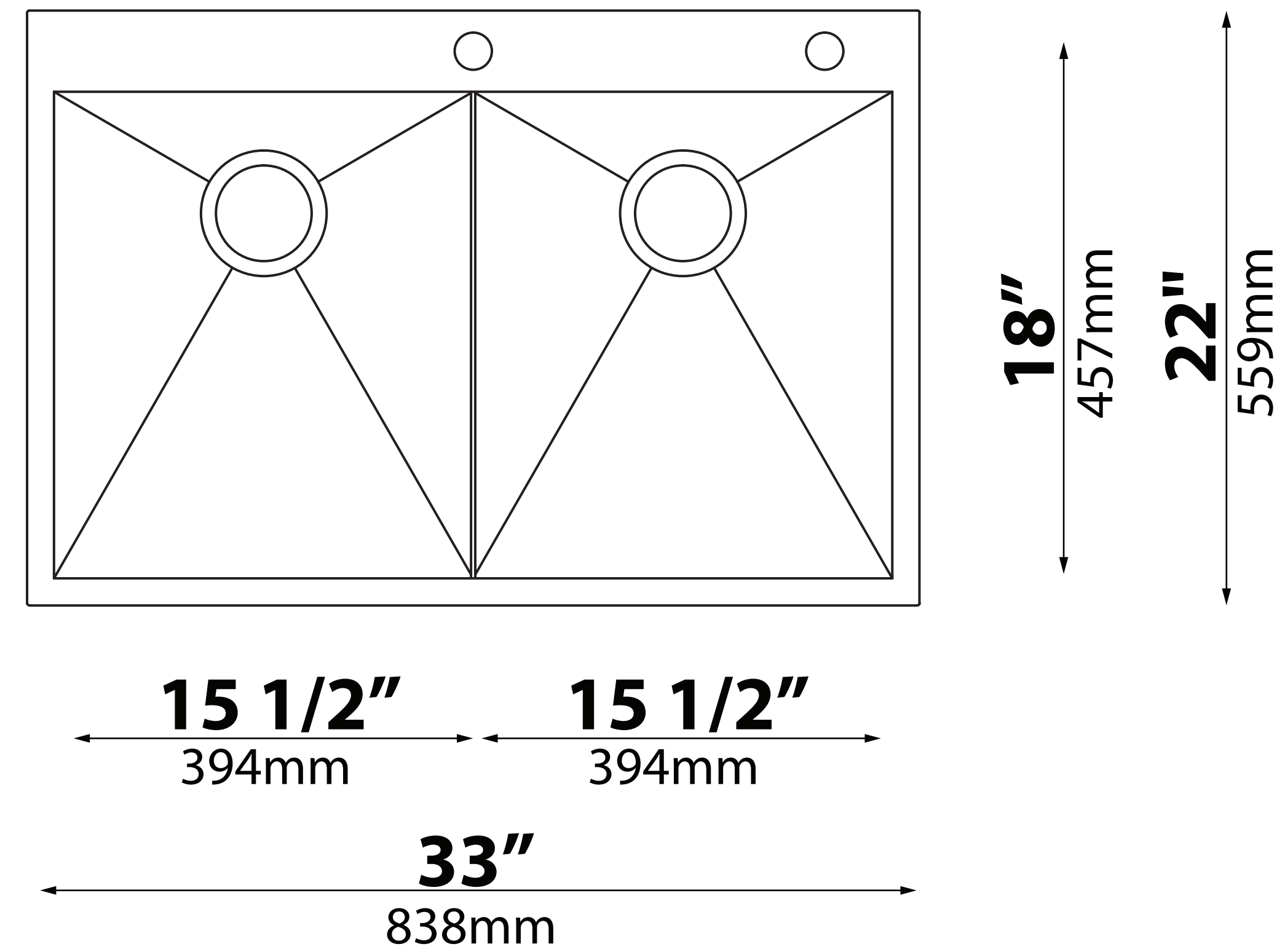
www.kraususa.com

Model No.
KP1TD33S-2

Topmount Cut-out

Pro Hotline: 516.801.8955

Customer Service: 800.775.0703



NOTE: Cutout template is provided as a guide **ONLY** and must be checked against actual sink to verify correct fit.