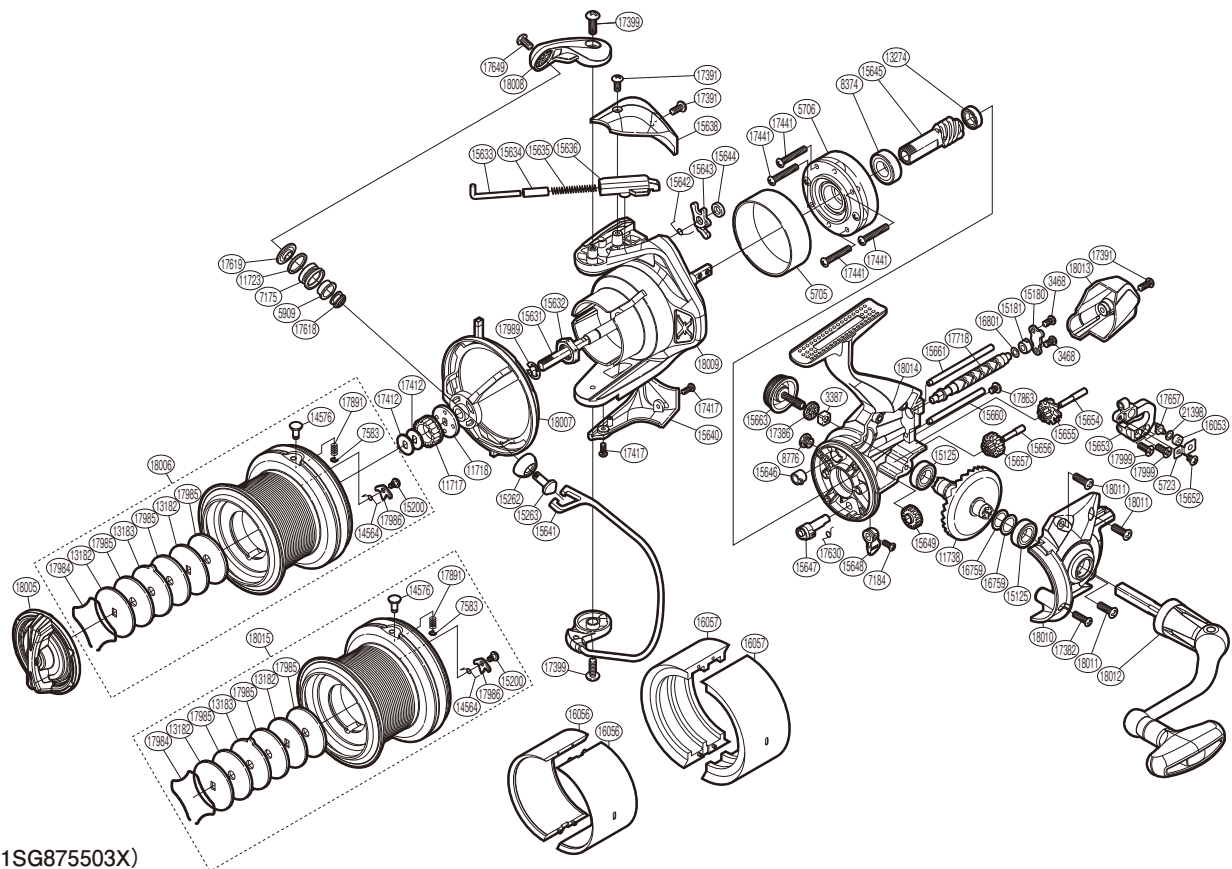


# SHIMANO

## ULTEGRA XSD

## ULT-5500XSD



(51SG875503X)

#	Part No.	Description	#	Part No.	Description	#	Part No.	Description
3387	10C6G	Handle Screw Lock	15636	107A7	Bail Spring Guide B	17618	10CZU	Line Roller Collar
3468	10LSN	Screw	15638	1087M	Bail Spring Cover	17619	10PJW	Line Roller Washer
5705	106HS	Roller Clutch Ring	15640	10MK0	Bail Hold Support Guard	17630	10DCS	Anti-reverse Cam Spring
5706	10QL4	Roller Clutch Assembly	15641	106YU	Bail Assembly	17649	10K91	Screw
5723	10H7L	Oscillating Pawl Cover	15642	106PL	Lever Spring	17657	10DMN	Oscillating Pawl
5909	10PFJ	Line Roller Bushing	15643	106KC	Bail Trip Lever	17718	10DMQ	Worm Shaft
7175	10JLX	Line Roller	15644	10763	Washer	17863	10LCS	Screw
7184	10LCH	Screw	15645	10BV6	Pinion Gear	17891	10B02	Line Clip Spring
7583	105NC	E Lock	15646	106M1	Worm Bushing (Front)	17984	10MZ2	Drag Washers Retainer
8374	107FL	Ball Bearing	15647	1053L	Anti-reverse Cam	17985	10PE9	Drag Washer
8776	104KM	Oil Cap	15648	10ANY	Anti-reverse Lever	17986	101SE	Drag Click
11717	10Q03	Spool Support A	15649	10HBF	Idle Gear	17989	10KHH	E Lock
11718	10GH4	Spool Support B	15652	103LG	Screw	17999	10LA7	Screw
11723	10G76	Line Roller Spacer	15653	10G61	Oscillating Slider	18005	101FR	Drag Knob
11738	104A3	Drive Gear	15654	10CKJ	Idle Gear B Shaft	18006	101FW	Spool Assembly
13182	10N29	Key Washer	15655	10CNB	Idle Gear B	18007	1041H	Line Safety Guard Assembly
13183	102XE	Eared Washer	15656	10H4D	Idle Gear C Shaft	18008	101GX	Bail Arm
13274	104PP	Ball Bearing	15657	10H4A	Idle Gear C	18009	101GP	Rotor
14564	10JM3	Drag Click Spring	15660	10356	Oscillating Guide A	18010	1022W	Side Cover
14576	10ATV	Line Clip	15661	104M6	Oscillating Guide B	18011	10MBB	Screw
15125	107FB	Ball Bearing	15663	10N3U	Handle Screw Cap	18012	101RL	Handle Assembly
15180	10AT4	Worm Shaft Retainer	16053	10JXM	Oscillating Slider Bushing	18013	101SJ	Rear Protector
15181	106M3	Worm Bushing (Rear)	16759	10HHU	Washer	18014	1027C	Body
15200	10A6G	Screw	16801	10K9C	Washer	21398	10RKQ	Washer
15262	10G8L	Line Roller Support Cover	17382	10L6J	Screw			
15263	10Q3A	Line Roller Support	17386	10J6B	Handle Screw Cap Spacer	18015	1027P	Spare Spool Assembly
15631	10L4Q	Main Shaft	17391	10LFK	Screw			
15632	1080W	Rotor Nut	17399	10LLJ	Screw	16056	10EWG	Spool Economizer A (4500) (accessory)
15633	105YV	Bail Spring Guide A	17412	10PH7	Spool Washer	16057	109WG	Spool Economizer B (3500) (accessory)
15634	10HDK	Bail Spring Guide A Support	17417	10L1T	Screw			
15635	105LJ	Bail Spring	17441	10LJ3	Screw			

Please note that the number of adjusting washers may not be the same as shown in the exploded views. (Adjustment will vary with each individual product.)

(240624)\_006