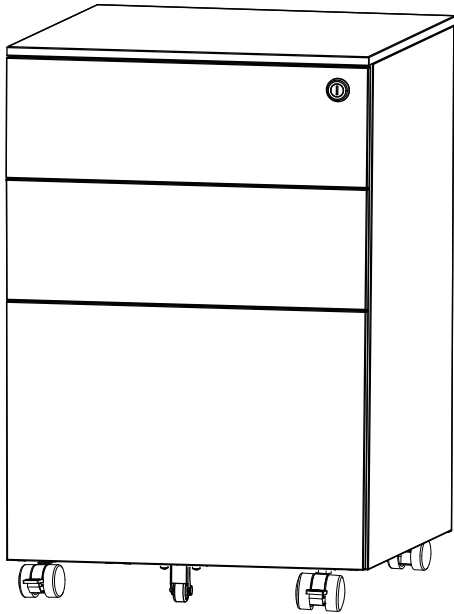
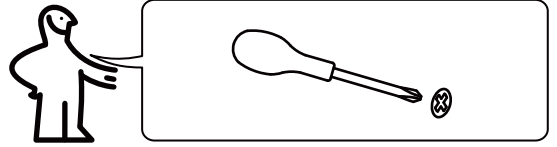


# MODEL:BSXMMPSQ

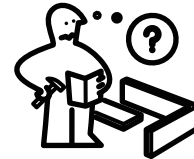
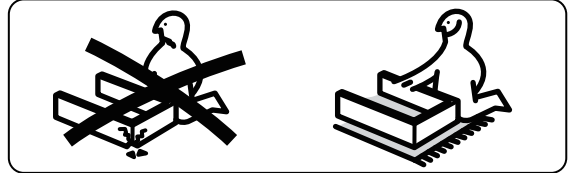
Mobile Metal Box/Box/File Drawer Pedestal



### Tools Required For Assembly

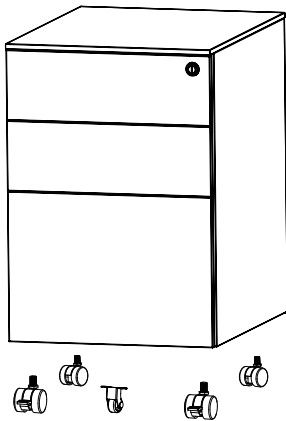


### Assemble Item On a Clean Flat Surface

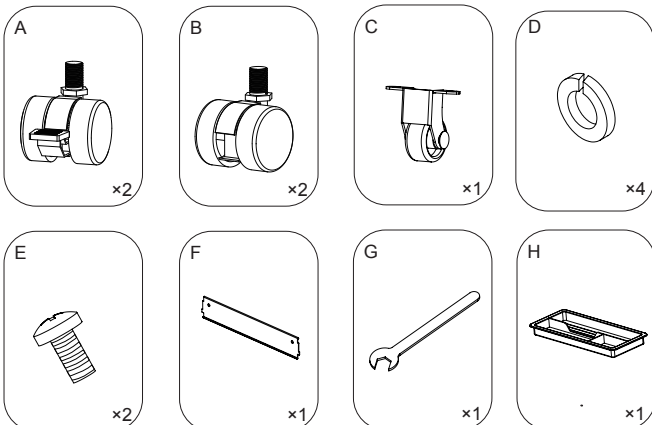


- Please check you have all hardware before assembling.
- Please ensure you have the name of the item and hardware part required and quantity.
- Enjoy your new purchase!

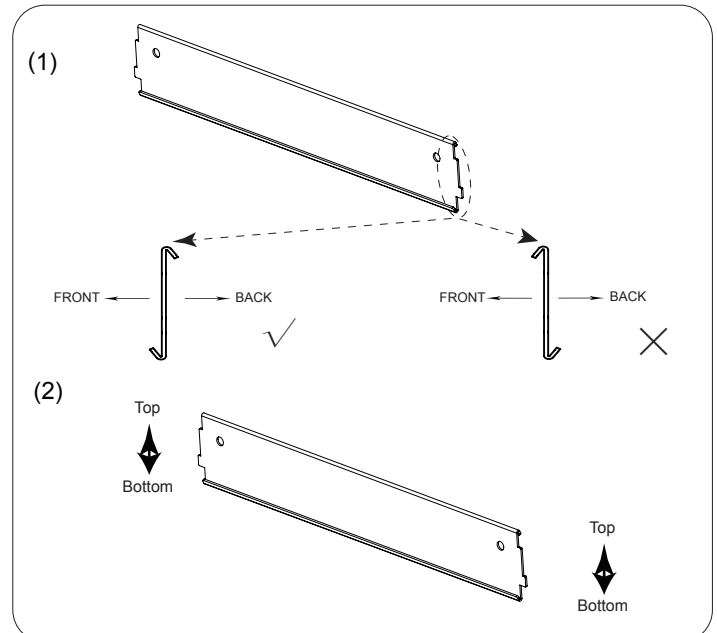
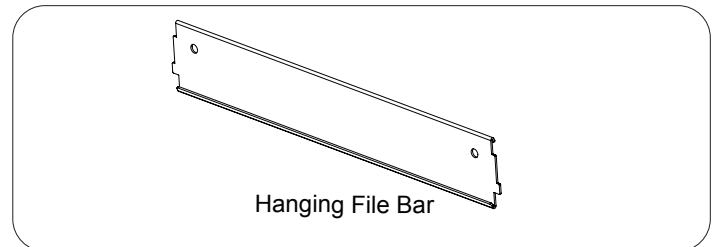
### EXPLODED DRAWING:

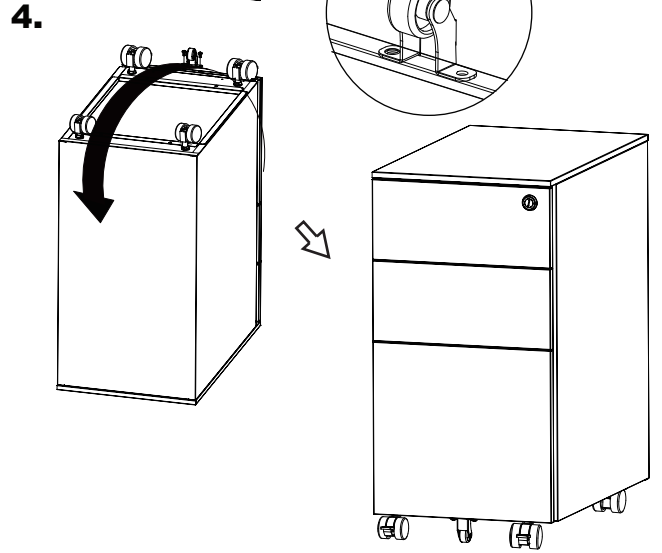
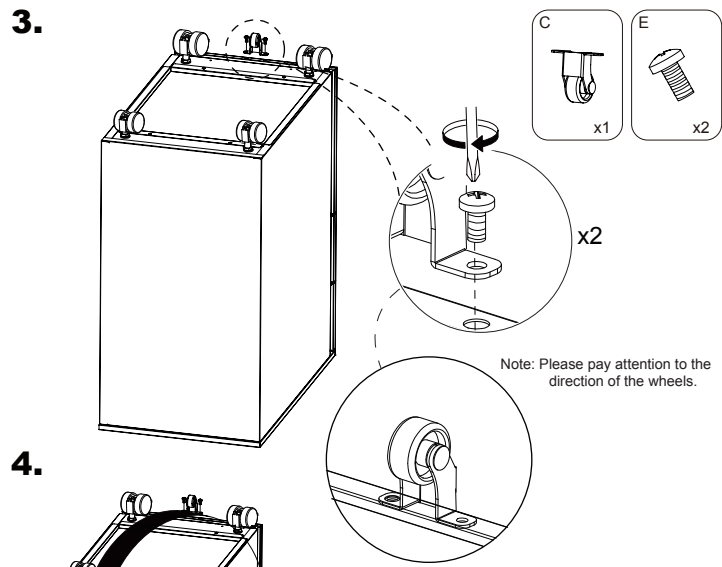
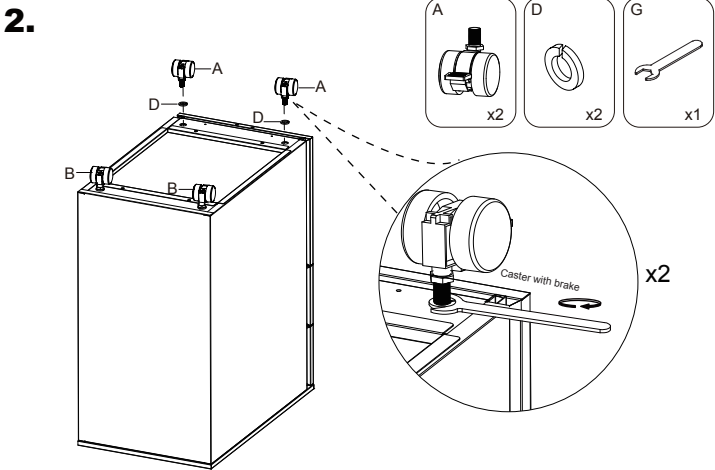
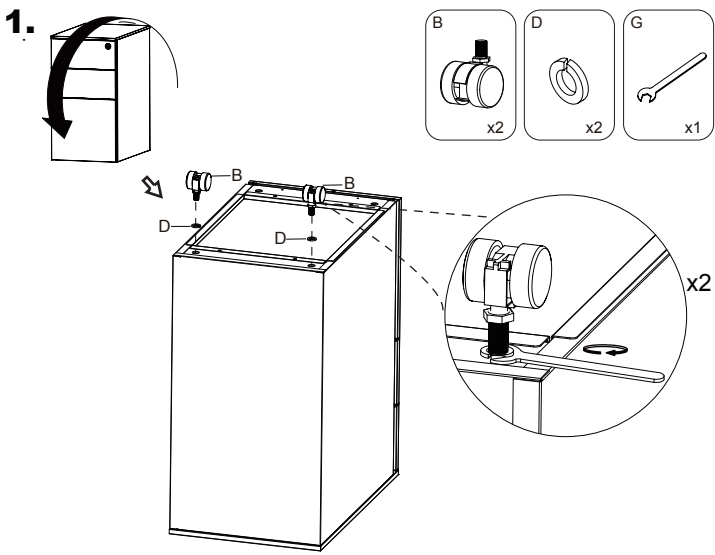


### PARTS:

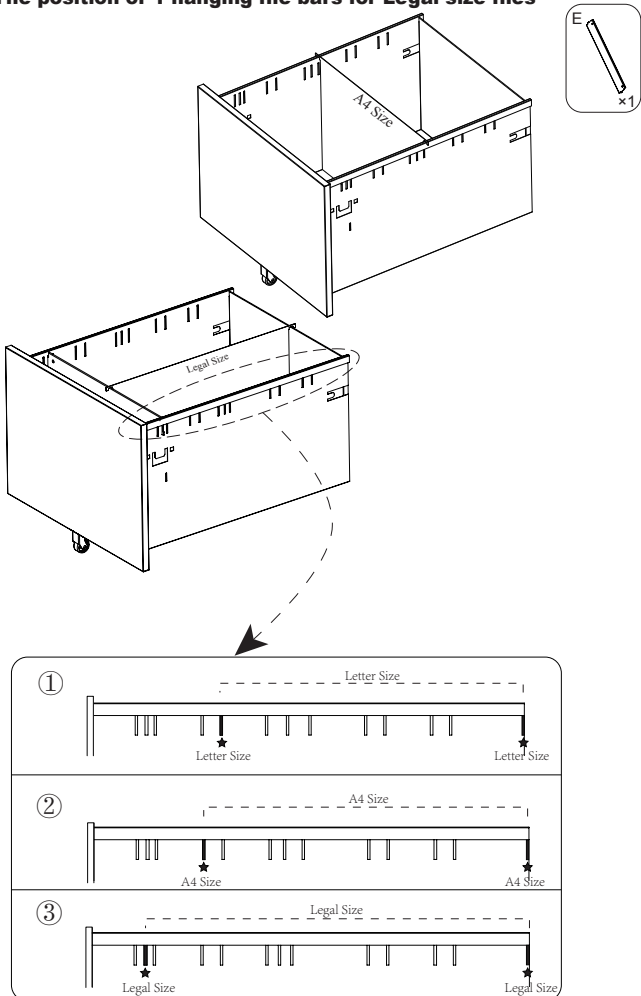


### REMARK:



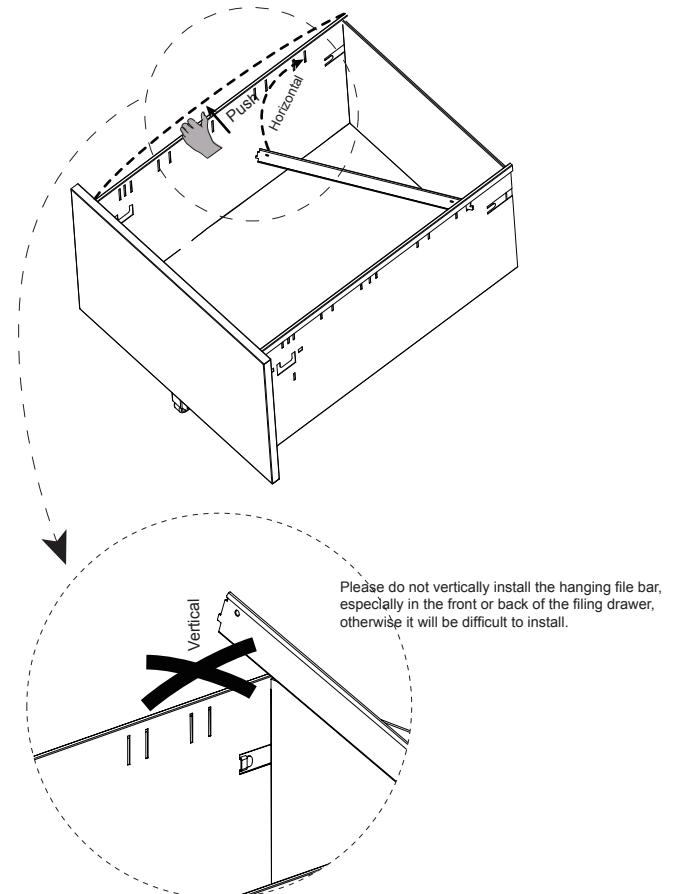


**5. The position of 1 hanging file bars for Legal size files**

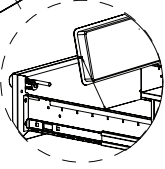
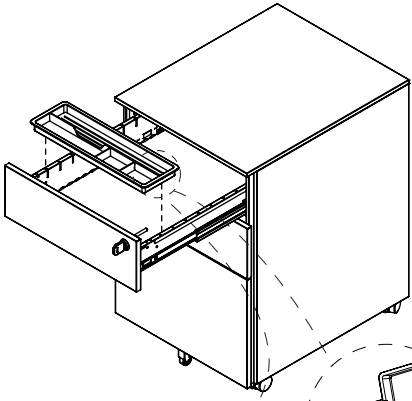
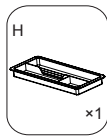


**REMARK:**

Install or adjust the hanging file bar, please follow the below method



## 6. Stationary box for first and second drawer



Note: same way for second drawer

