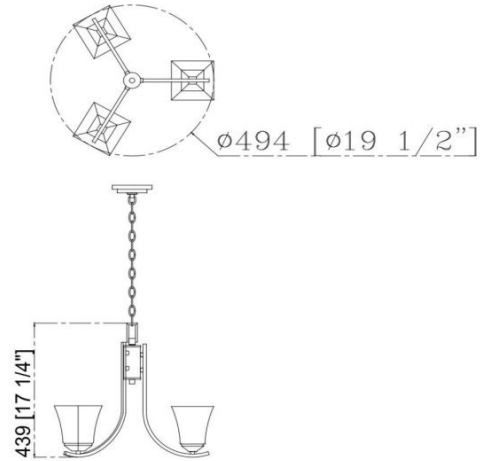


Torino 3-Light Chandelier
Satin Nickel



SPECIFICATIONS

MOUNTING:	Chandelier	LED BRIGHTNESS (LUMENS):	N/A
SLOPED CEILING ADAPTABLE:	N/A	LED COLOR CORRELATED TEMPERATURE (CCT):	N/A
LAMP TYPE 1:	3 lamps 60W Incandescent	LED COLOR RENDERING INDEX (CRI):	N/A
BULB INCLUDED:	N/A	LED EFFICACY:	N/A
WATTS PER BULB:	60W	LED AVERAGE RATED LIFE:	N/A
TOTAL WATTAGE:	180W	ENERGY EFFICIENT:	No
DIMMABLE:	Yes	LIGHTING AMPS:	N/A
MATERIAL CONSTRUCTION:	Steel	VOLTAGE:	120V
ASSEMBLED DIMENSIONS:	19.75" H x 17.25" L x 17.25" D		
WEIGHT:	7.37 lbs.		
BACKPLATE DIMENSIONS:	N/A		
CANOPY/PLATE DIMENSIONS:	N/A		
GLASS/SHADE DIMENSIONS:	N/A		
GLASS/SHADE MATERIAL:	Glass		
GLASS/SHADE TYPE:	N/A		
GLASS/SHADE COLOR:	N/A		

WARRANTY:	10-Year limited warranty
UL/ETL CERTIFICATION:	UL
WET/DRY/DAMP LISTING:	N/A
ADA COMPLIANT:	No
ENERGY STAR CERTIFIED:	No



TYPE:
JOB:
ORDER CODE:
APPROVALS: