

AXOR Montreux
Thermostatic Trim HighFlow with Cross Handle
Finishes : **polished nickel** Part no. : **16816831**



Description

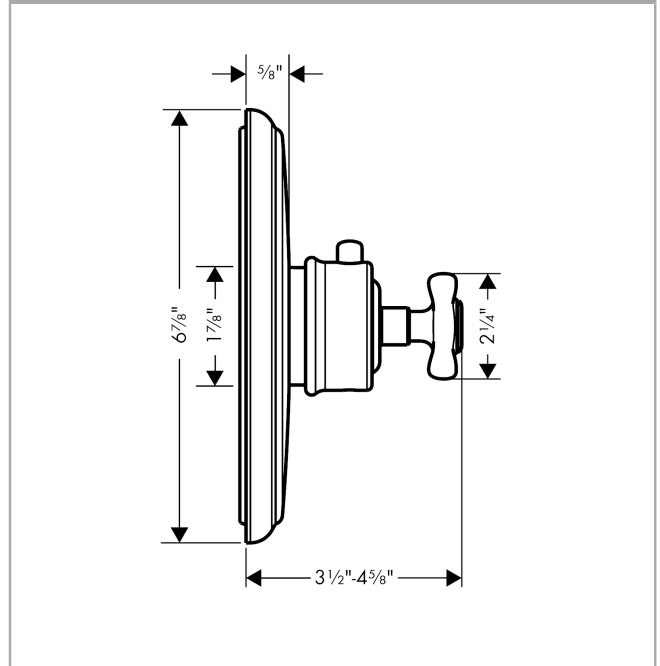
Features

- Flow: 13.0 GPM (49.2 L/Min)
- Thermostatic cartridge
- Anti-scald 100° safety stop

Product image



Scale drawing

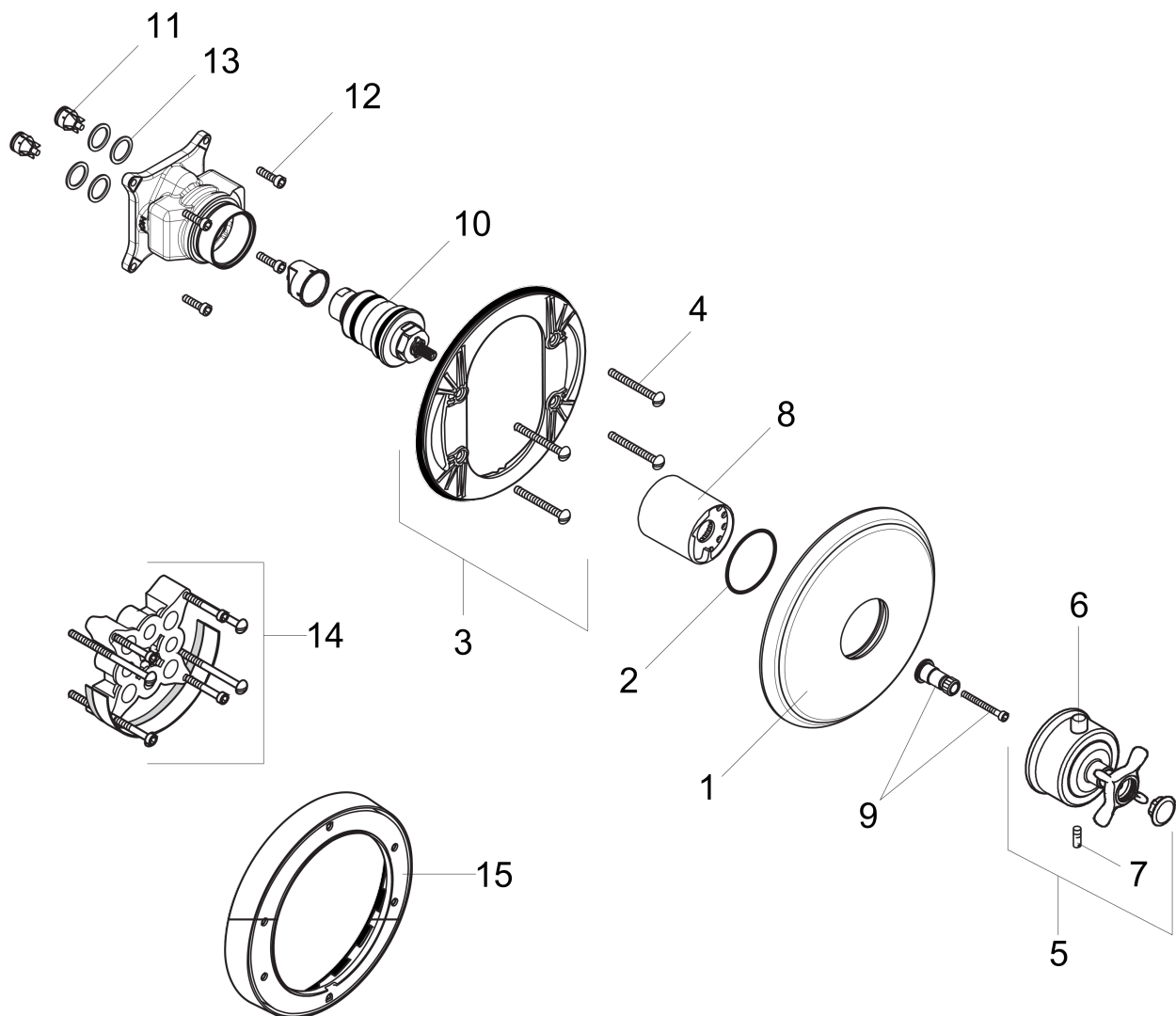


AXOR Montreux
Thermostatic Trim HighFlow with Cross Handle
Finishes : **polished nickel** Part no. : **16816831**



Exploded drawing

Year of production: >06/09



AXOR Montreux
Thermostatic Trim HighFlow with Cross Handle
 Finishes : **polished nickel** Part no. : **16816831**



Spare parts list

Year of production: >06/09

Pos.	Description	Part no.	PC	PU
1	escutcheon	98648830	0	1
2	O-ring 48x5	98174000	0	1
3	sub plate	96447000	0	1
4	set of fixing screws	96454000	0	1
5	handle for thermostat	16594831	0	1
6	pushbutton	97792830	0	1
7	hollow set screw M5x16	97666000	0	1
8	sleeve	97439830	0	1
9	adapter for handle	96435000	0	1
10	thermostat cartridge	96633000	0	1
11	set of non return valves DW 15	97350000	0	1
12	set of screws	96525000	0	1
13	O-ring 16x2	98133000	0	1
14	extension 25 mm	13595000	0	1
15	extension 22 mm (Ø 170 mm)	13596830	0	1
a	base body	01850181	0	1