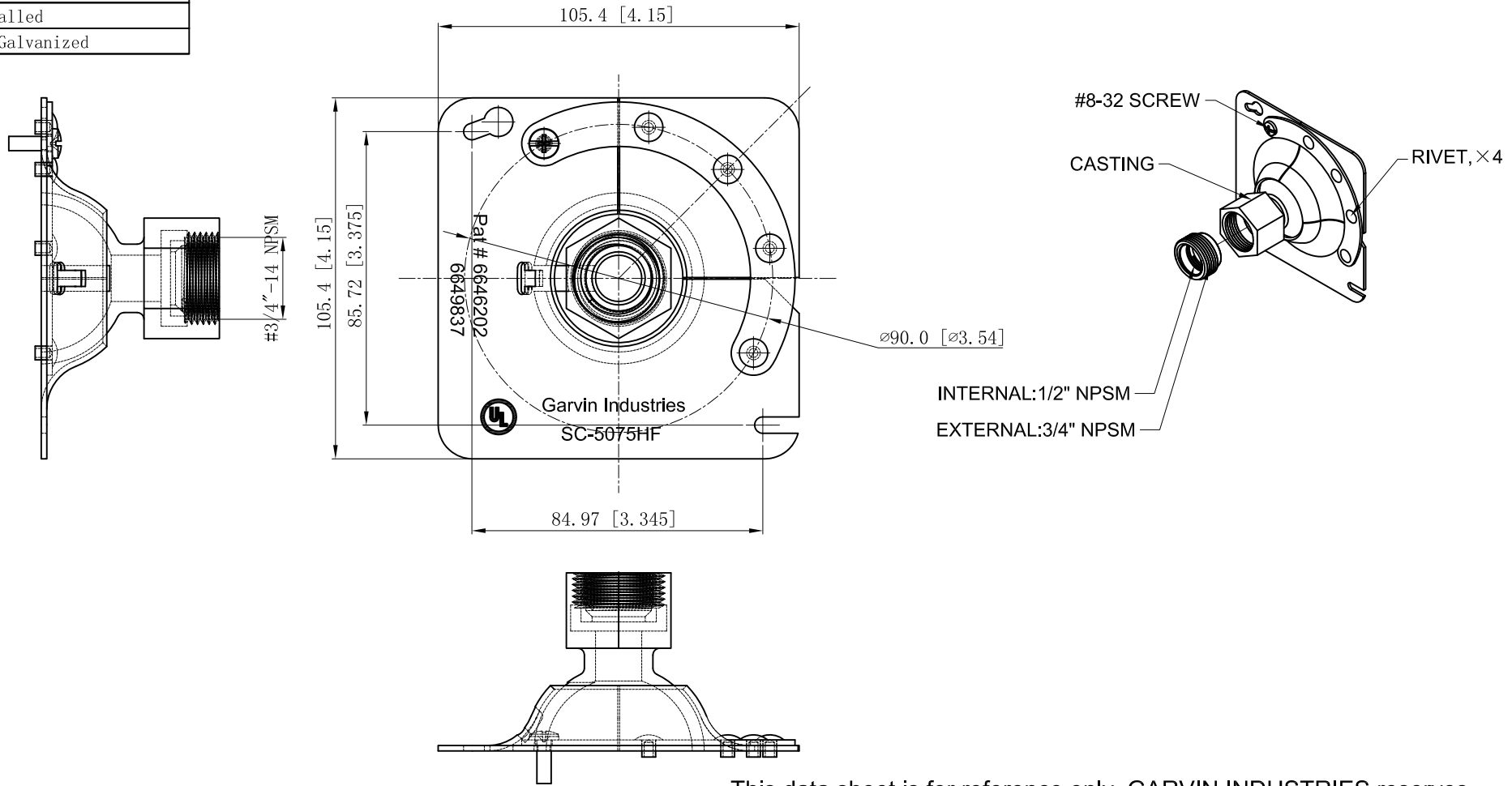


SIDES	BOTTOM
1 PCS 8-32×1/2 Screws Installed	
Material:Steel-0.0625"-G60 Galvanized	



This data sheet is for reference only .GARVIN INDUSTRIES reserves the right to make changes to the design without prior notice.

DESCRIPTION
TRADE REFERENCE TERMS

STANDARD PACKING	<h1 style="text-align: center;">GARVIN INDUSTRIES</h1>		
25 PCS			
TITLE	"KWIK-HANG" SWIVEL FIXTURE HANGERS		
SIZE	DWG NO.	REV	
A4	SC-5075HF	D	
DATA SHEET			
www.garvinindustries.com			