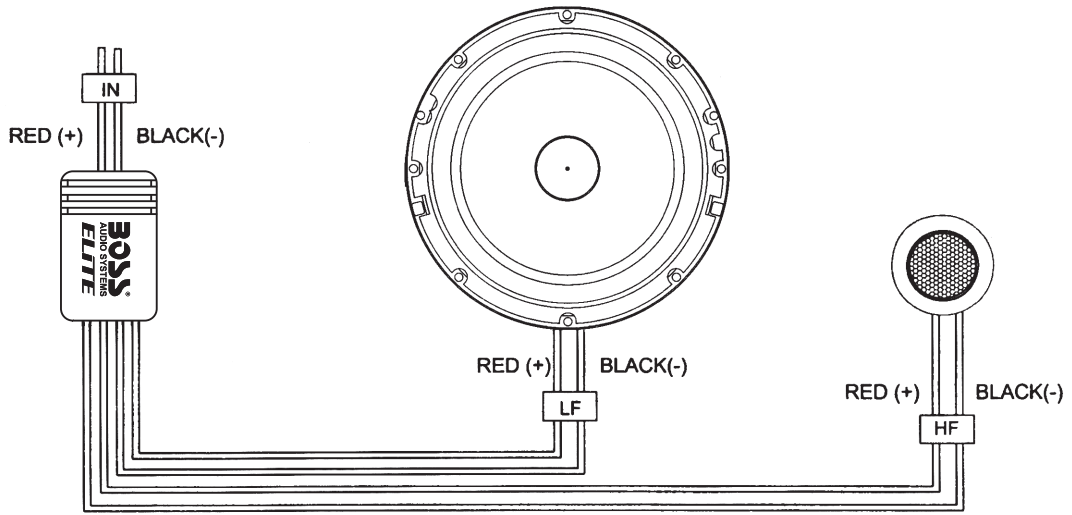


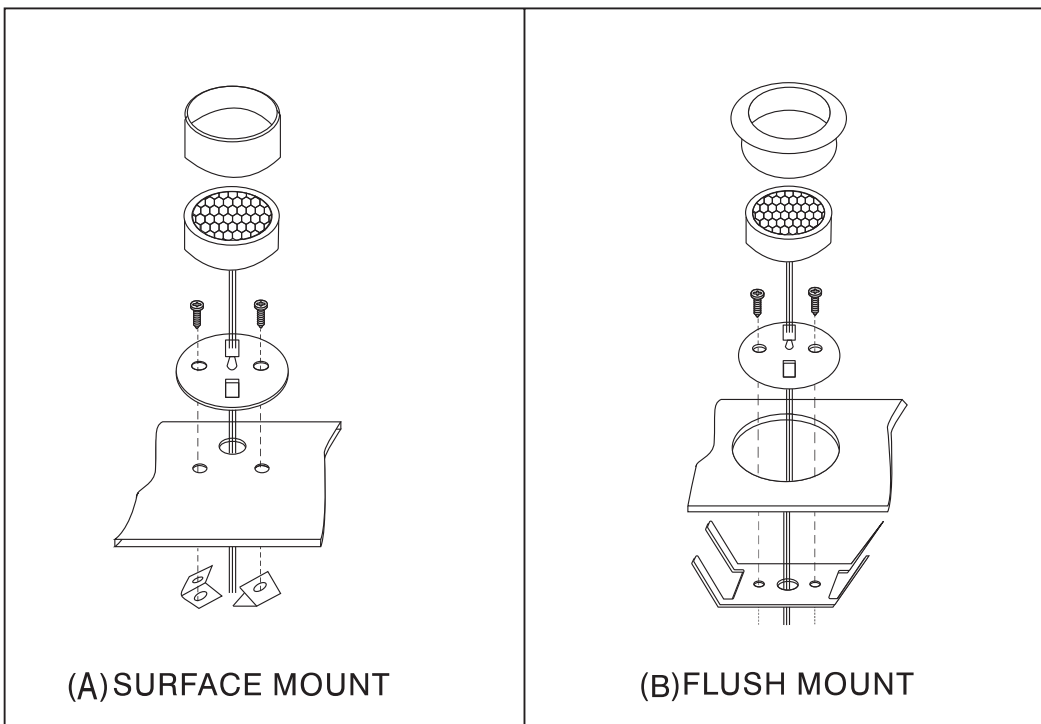
BOSS[®] AUDIO SYSTEMS *ELITE*

WIRING INSTRUCTION FOR BCK65



INSTALLATION INSTRUCTIONS

The tweeter can be mounted in 2 different methods.



TEMPLATE

FOR BCK65 6.5" SPEAKER

