

# Assembly Guide

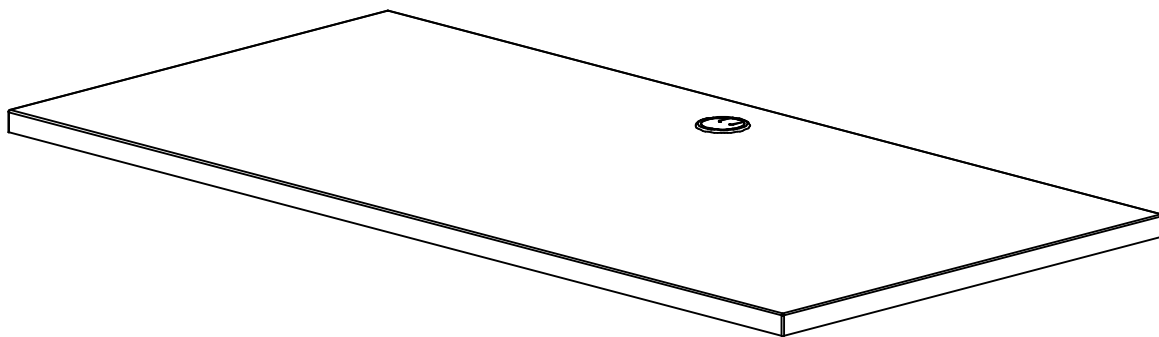


If you're having any difficulty during assembly of this product, don't hesitate to call us at **1-800-950-4782.**

Our customer service experts are trained to provide step-by-step instruction and can easily replace any missing or damaged parts.

**Representatives are available Monday-Friday from 8:30 a.m. to 7:30 p.m. (ET)**

## 48W x 24D Table Desk Work Surface



Lot Code #

Part Number A183492D

Keep manual for future reference.

## For best results, keep these tips in mind:

- ① We know you want to finish this assembly as quickly as possible, but trust us: you'll have a better experience if you take it one step at a time.
- ② Give yourself some room to work near where you want the fully assembled product.
- ③ If your floor isn't carpeted, assemble this product on the empty carton to avoid scratching.
- ④ Do you have a friend who owes you a favor? Some steps may go a little easier with a second set of hands.

### DOs

- ✔ Use a #2 Phillips head screwdriver (or other handheld tools as indicated)
- ✔ Wear safety glasses at all times during assembly
- ✔ Carefully follow the instructions in this guide and complete all steps in order
- ✔ Give us a call if you're having trouble with a particularly tricky step

### DON'Ts

- ✘ We know power tools are quick and easy, but you shouldn't use them when assembling this product (unless otherwise specified)
- ✘ Never move your furniture with items inside or resting on the surface
- ✘ Do not attempt to use this product before all steps have been completed



## Watch assembly videos right on your phone or computer!



Some steps include QR codes that link to helpful videos. Watch out for the icon below! Simply open up your smartphone camera to scan the code.

*(Users of older smartphones may need to install a QR Reader.)*

**SCAN HERE**



**FOR VIDEOS**

Or visit <https://www.bushbusinessfurniture.com/CustomerService/HowtoAssemble.aspx>

# IMPORTANT SAFETY INFORMATION



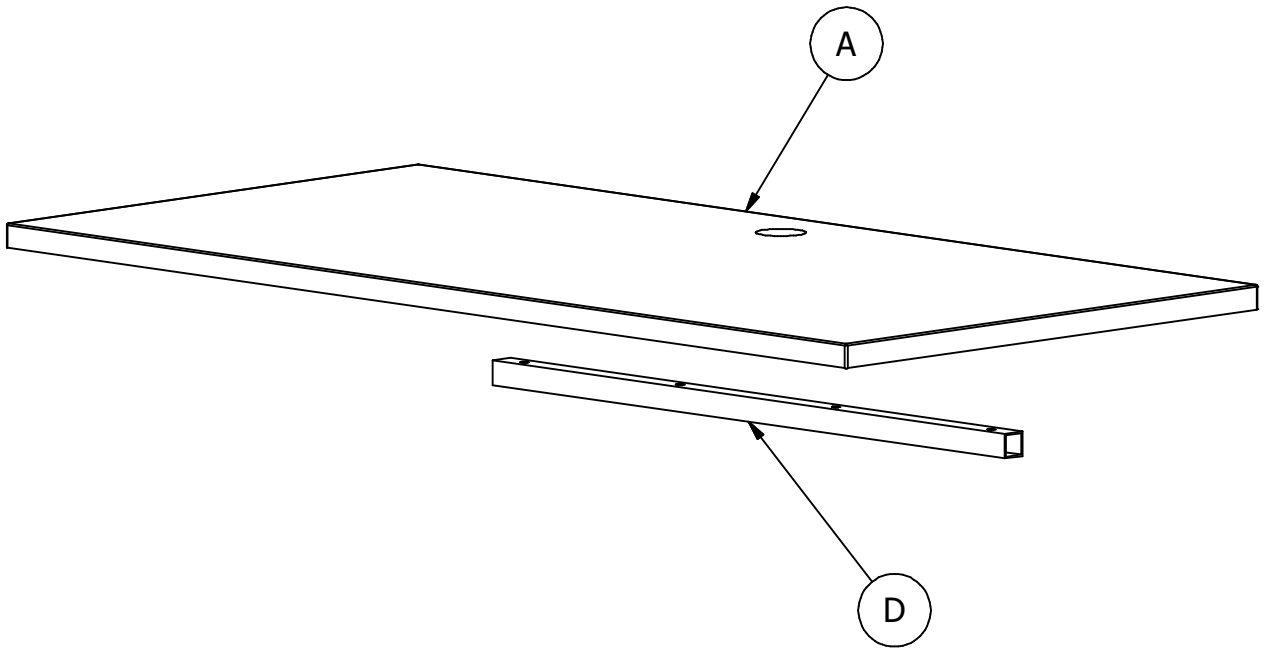
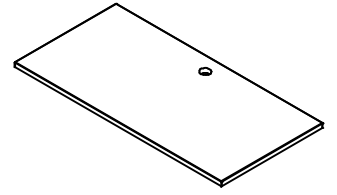
## PLEASE READ WARNINGS

Improper use can cause safety hazards, or damage to your furniture and household items.

Warning	Do	Don't	Why it's important
<b>Serious injury may occur.</b>	<ul style="list-style-type: none"><li>Assemble following all instructions using all indicated parts and hardware provided.</li></ul>	<ul style="list-style-type: none"><li>Do not move unit when loaded.</li><li>Do not load with a television or other heavy equipment.</li><li>Do not exceed the maximum load limits stated in the instructions.</li></ul>	Improper assembly, use or loading can lead to product instability, tip-over or collapse.

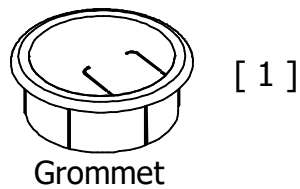
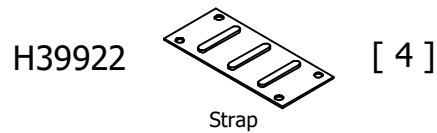
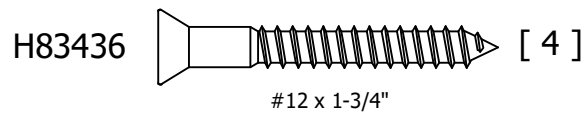
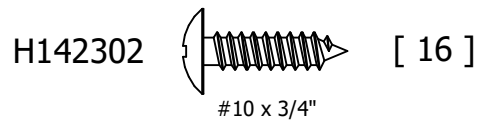
Advertencia	Hacer	No	Por qué es importante
<b>Se pueden producir lesiones graves.</b>	<ul style="list-style-type: none"><li>Ensamble siguiendo todas las instrucciones utilizando todas las piezas y ferretería indicados provistos.</li></ul>	<ul style="list-style-type: none"><li>No mueva la unidad cuando esté cargada.</li><li>No cargue con un televisor u otro equipo pesado.</li><li>No exceda los límites máximos de carga establecidos en las instrucciones.</li></ul>	El ensamblaje, uso o carga inadecuados pueden provocar inestabilidad del producto, vuelco o colapso.

Avertissement	Faire	Ne le fais pas	Pourquoi c'est important
<b>Des blessures graves peuvent survenir.</b>	<ul style="list-style-type: none"><li>Assemblez en suivant toutes les instructions en utilisant toutes les pièces et le matériel indiqués fournis.</li></ul>	<ul style="list-style-type: none"><li>Ne déplacez pas l'unité lorsqu'elle est chargée.</li><li>Ne chargez pas avec un téléviseur ou un autre équipement lourd.</li><li>Ne dépassez pas les limites de charge maximale indiquées dans les instructions.</li></ul>	Un assemblage, une utilisation ou un chargement incorrects peuvent entraîner une instabilité du produit, un renversement ou un effondrement.



Have an assembly question or need a replacement part? Just call  
**1-800-950-4782**, we are here to help.

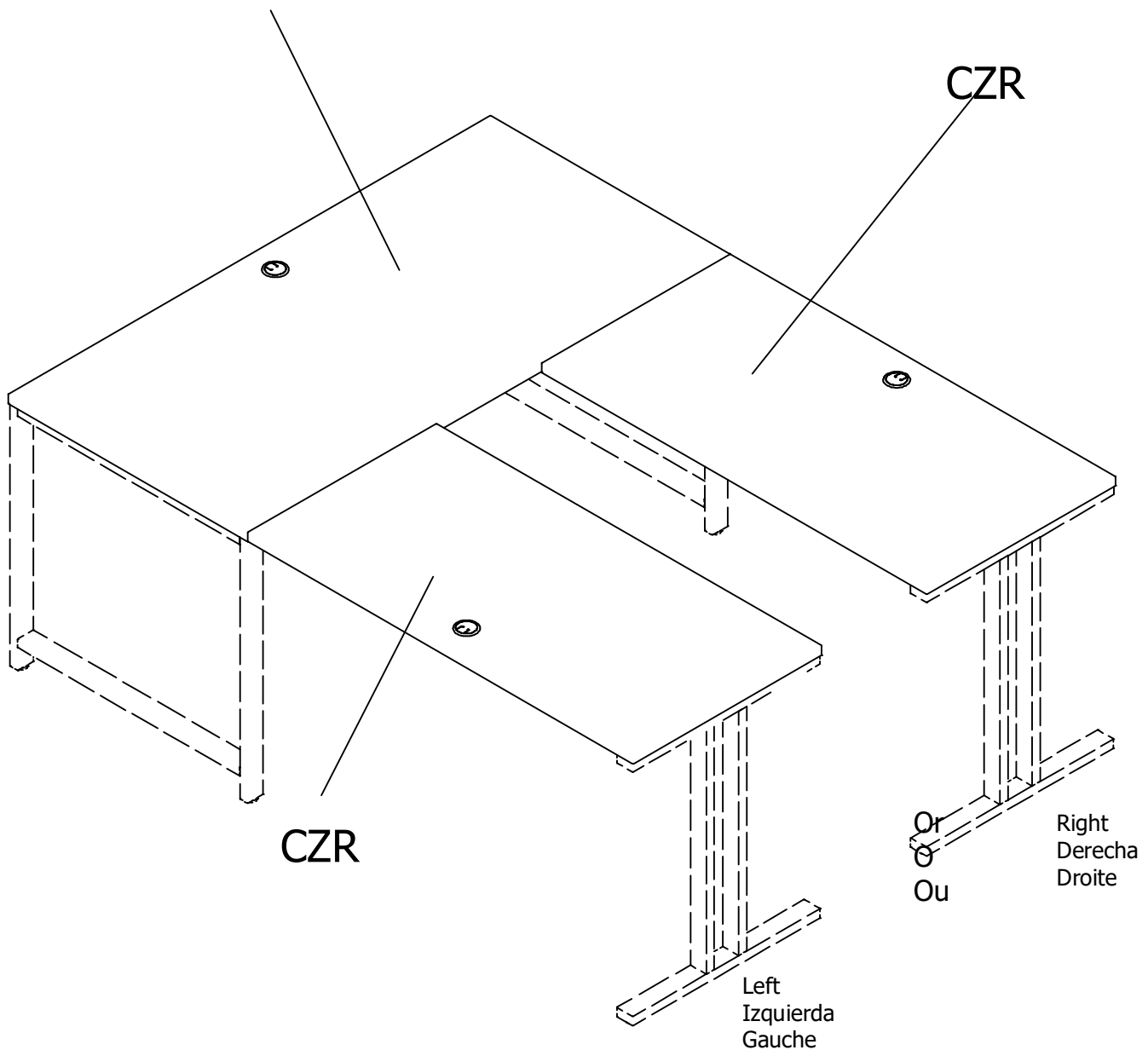
Hardware not to scale.



Left or Right mounting option  
Opción de montaje izquierda o derecha  
Option de montage gauche ou droite

If used as a bridge do Left and Right mounting option.  
Si se usa como puente, haga la opción de montaje a izquierda y derecha.  
Si utilisé comme pont, possibilité de montage à gauche et à droite.

CBR, CCR, CDR, CER, CFR, CHR, CJR  
CKR, CLR, CMR, CNR, CVR, CUR, CXR, CWR



Have an assembly question or need a replacement part? Just call  
**1-800-950-4782**, we are here to help.

# STEP 2

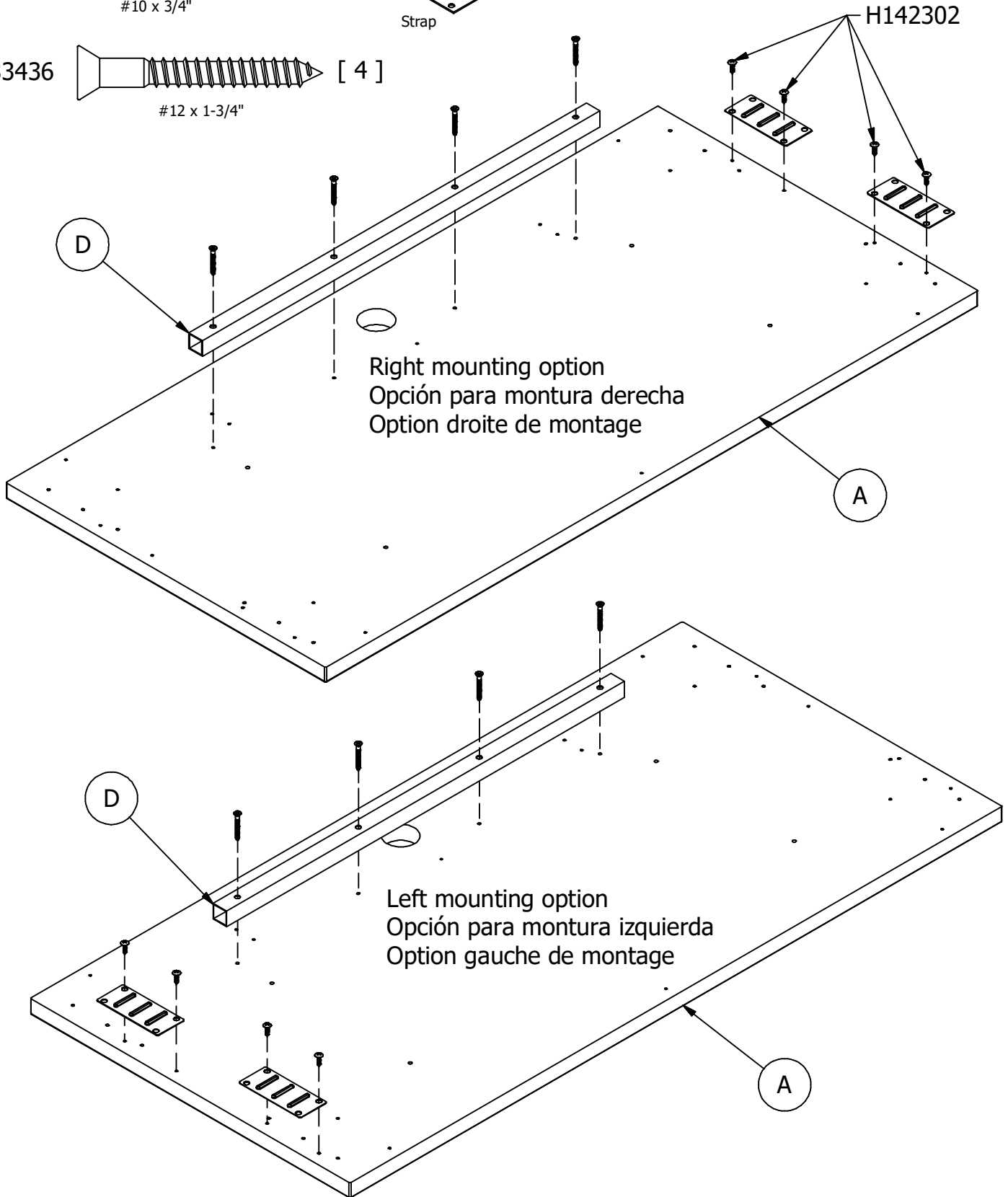
# Assemble Top Shelf

A183492D

H142302 [ 4 ]  
#10 x 3/4"

Strap [ 2 ]

H83436 [ 4 ]  
#12 x 1-3/4"



Right mounting option  
Opción para montura derecha  
Option droite de montage

Left mounting option  
Opción para montura izquierda  
Option gauche de montage

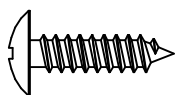
Have an assembly question or need a replacement part? Just call  
**1-800-950-4782**, we are here to help.

# STEP 3

# Install Top Shelf

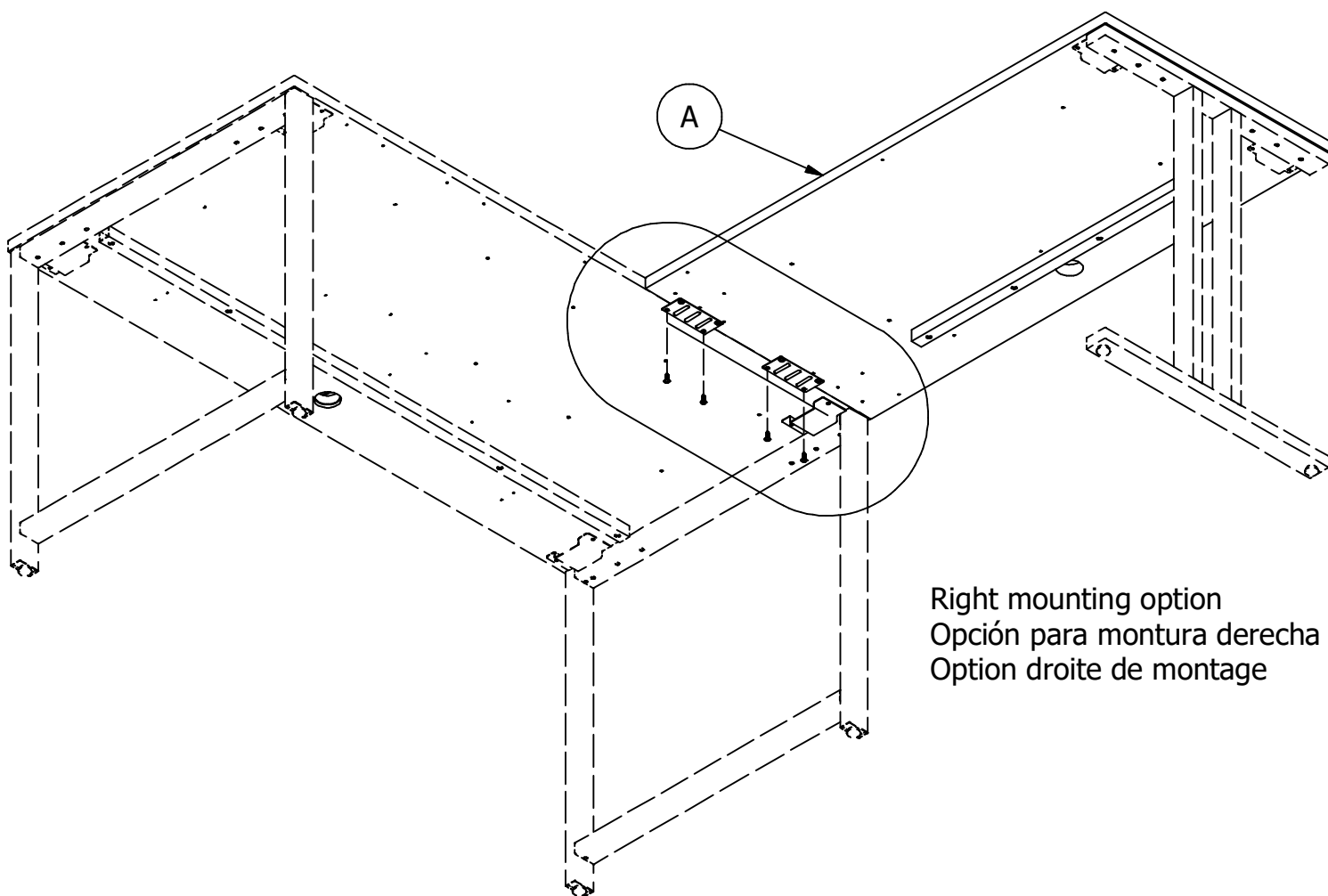
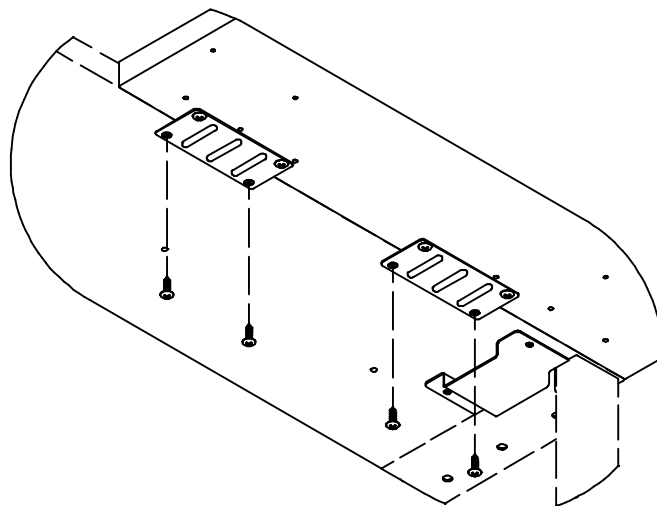
A183492D

H142302



#10 x 3/4"

[ 4 ]



Right mounting option  
Opción para montura derecha  
Option droite de montage

For leg kit attachment, please use the assembly instructions supplied with the leg kit.  
Para la instalación del juego de patas, use las instrucciones de ensamblaje provistas con el juego de patas.  
Pour l'attachement de kit de jambe, employez svp les instructions de montage fourni avec le kit de jambe.

Have an assembly question or need a replacement part? Just call  
**1-800-950-4782**, we are here to help.

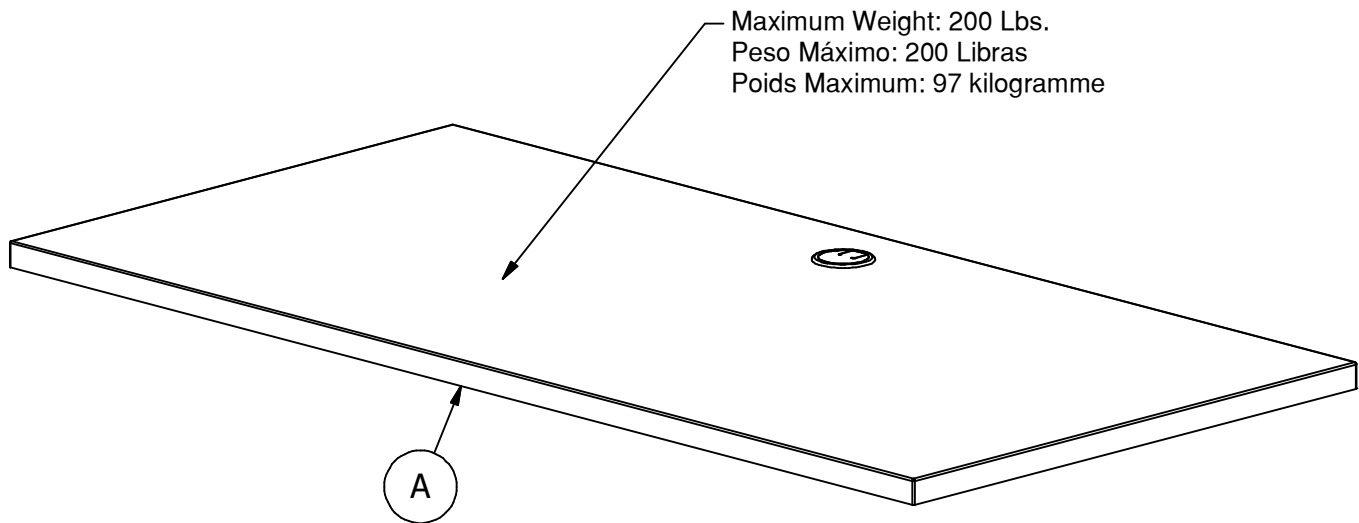


Scan QR Code to  
Watch Video on:



How to Clean  
the Surface

Gently clean surfaces  
with a damp  
sponge eraser.



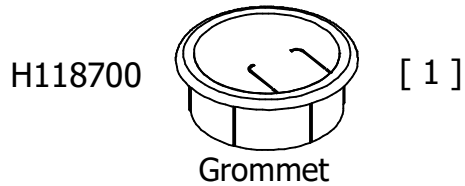
Maximum Weight: 200 Lbs.  
Peso Máximo: 200 Libras  
Poids Maximum: 97 kilogramme

Congratulations! You are all done. If  
you have any questions or concerns,  
please call.

Have an assembly question or need a replacement part? Just call  
**1-800-950-4782**, we are here to help.

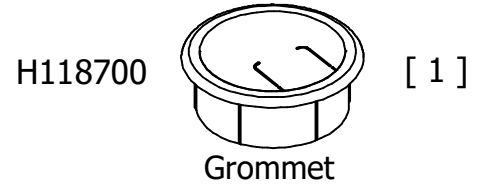
22TD4824MR

A [ 1 ] W192721  
D [ 1 ] H181315



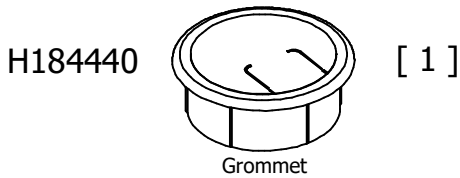
22TD4824AC

A [ 1 ] W192719  
D [ 1 ] H181315



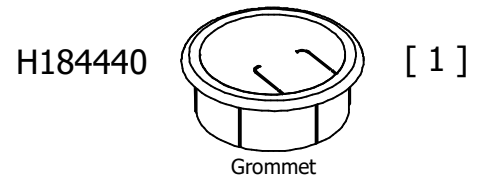
22TD4824SG

A [ 1 ] W192722  
D [ 1 ] H181315



22TD4824WH

A [ 1 ] W192723  
D [ 1 ] H181315



22TD4824PG

A [ 1 ] W195463  
D [ 1 ] H181315

