

# ELURA

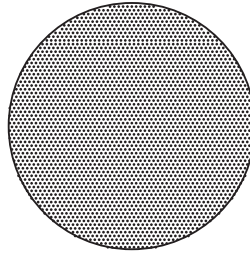
model R6.5STZ.2

red label series

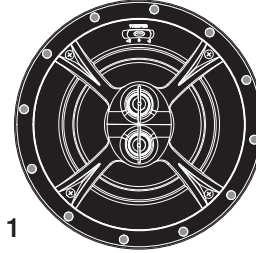
2-way In-Ceiling Dual Voice Coil Single Point Stereo/Surround Ceiling Speaker System

Congratulations on choosing an Elura In-Ceiling Loudspeaker. Like all Elura products, great care has been taken in their design. Their combination of advanced engineering and state-of-the-art materials will provide you with years of listening pleasure, while blending smoothly into your home's decor. Before you get started, it is a good idea to identify all the parts and hardware (See Fig. 1).

Magnetic grille with white inner scrim cloth



Speaker with magnetic baffle and self-contained mounting clamps



Cutout template

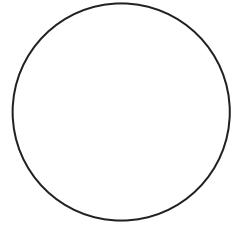


FIG. 1

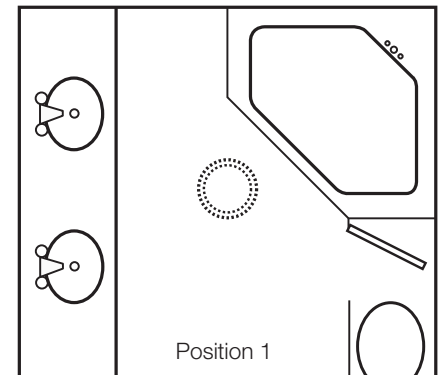
## Placing Your Ceiling Speaker for Dual Channel Stereo Operation

Placement can make all the difference in how your speakers sound, and how easy they will be to install. Carefully consider where your speaker should be positioned. For optimum dual channel stereo performance, the speaker should be mounted as close as possible to the center of the main listening area as shown in FIG. 2 position 1.

## For Rear Center Surround or Single Channel Surround Operation

For surround rear center, mount the speaker as shown in FIG. 2 position 2. (Note: Connect the two rear channel outputs from your receiver to the two sets of input terminals on the speaker, as shown in FIG. 6.) Avoid mounting the speaker in stud cavities containing electrical wiring, heating ducts, water pipes, etc. Make sure the wall or ceiling materials are sturdy enough to support the weight of the speaker.

FIG. 2



For two channel (stereo sound)

## Tweeter Level Adjustments (FIG. 3)

The tweeter level control allows you to tailor the speaker's frequency response to better match the room's acoustics. As an example, if a room has a hardwood floor, which makes it acoustically brighter sounding, you may want to adjust the tweeter level down to compensate. You can experiment to find the sound that's most pleasing to you in your particular listening environment.

## Speaker Installation In Existing Construction (See FIG. 4 on back)

Once you have selected the location for your speakers, you are ready to install them. You will need the following:

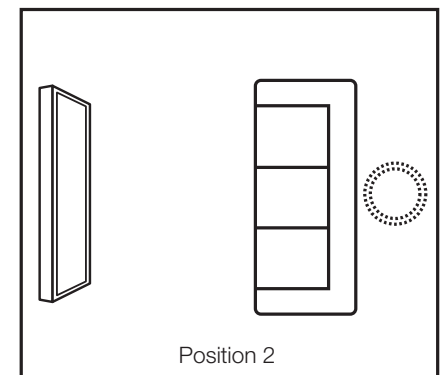
- Stud Finder
- Drill & Drill Bits
- Wire Cutter/Strippers
- Speaker Wire
- Pencil
- Phillips Screwdriver
- Utility Knife or Drywall Saw
- Masking Tape

**NOTE: (See Fig. 5 on the back) If you plan to use the optional back can enclosure, you need to attach it now (refer to back can manual for installation instructions).**

Elura recommends the use of 16-gauge wire minimum. For wire options consult your retailer or custom audio contractor.

1. Elura Speakers are designed to be installed in the ceiling or wall area between studs. Using a stud finder, make sure you are between two studs. Tape the supplied template to the wall and lightly trace around it with a pencil.
2. Cut the hole using your drywall saw. You may want to start with a small hole in the center of the outline. This will allow you to check for any obstructions that may exist behind the desired location. **CAUTION:** Be certain electrical wiring, water pipes or heating ducts do not interfere in the planned installation areas prior to drilling or cutting the wall.
3. Run speaker wires from your amplifier or speaker switching device to speaker location.
4. Carefully remove the grille and set it aside where it won't get bent.

Continued on reverse



For rear center (two channel) surround

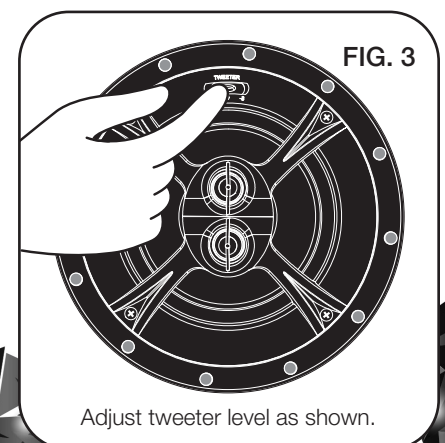


FIG. 3

Adjust tweeter level as shown.

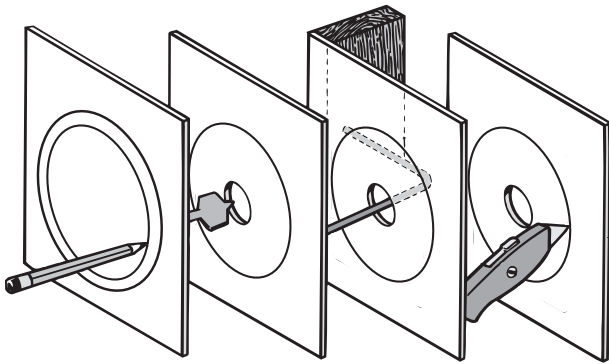


FIG. 4

*Continued from front*

If you like the standard white finish of your speakers, skip to step 5, but if you want your speakers to blend in with a colored wall or ceiling, now is the time to paint your speaker's perforated grille. Remove the inner grille scrim cloth before painting. (Grille painting hint: Use a paint roller that is nearly out of paint to first paint the inside of the grille, then the outside. This will avoid paint filling the grille perforations.)

5. Attach the wires to the input terminals on the rear of the speaker. Remember to maintain proper polarity with the amplifier by attaching the positive (+) lead to the red terminal and the negative (-) lead to the black terminal.

6. See FIG. 6. With the speaker wires attached to the speaker, slide the speaker up inside the cutout hole. Center the speaker in the cutout hole and turn the four locking screws clockwise until the speaker is drawn up snugly to the wall board from behind, clamping the speaker in place. Try to tighten each screw equally. Replace the speaker grille by gently placing it over the speaker until the magnets "grab" hold of the grille.

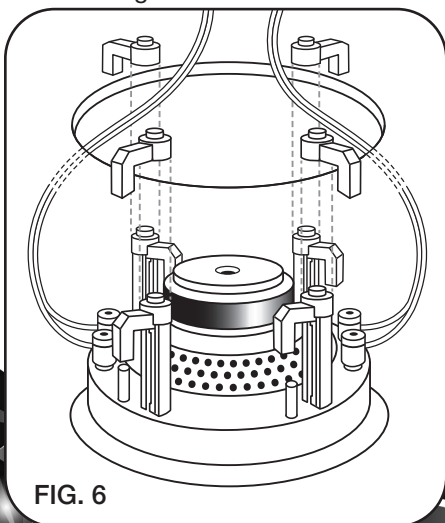


FIG. 6

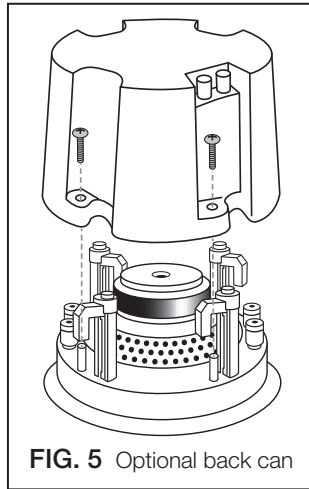


FIG. 5 Optional back can

## New Construction

1. Determine speaker locations and mark them on your plans for future reference.
2. If possible, run speaker wires after HVAC and electrical wiring is in place.
3. Secure speaker wires in place along the run with insulated staples only and be careful not to pierce the wire's insulation. Allow a bit of slack for expansion of building materials.
4. Needless to say, the actual speakers should not be installed until the wall board is in place. In the meantime, leave several feet of wire coiled up and secured at the back side of the mounting hole.
5. To complete the installation follow steps 2 through 5 above.

## Operational Check

After making all connections, it's a good idea to make sure everything is working properly. Turn on your surround or stereo system making sure the volume control is turned down and that the balance control is in the center position. Activate a music or movie source. Gently turn up the volume, you should hear sound coming from your new speakers. If no sound is heard from any or all speakers, switch off the system immediately and check for open or loose connections, wrong polarity or shorts, or improper source selection.

## Warranty

All Elura products come with a limited lifetime warranty. This warranty includes parts and labor repairs on all components found to be defective in material or workmanship under normal conditions of use. This warranty shall not apply to products which have been abused, modified or disassembled.

A speaker that fails under conditions other than those covered will be repaired at the current price of parts and labor in effect at the time of repair. Such repairs are warranted for 90 days from the day of reshipment to the BUYER. If the unit is delivered by mail, customers agree to insure the unit or assume the risk of loss or damage in transit.

Under no circumstances will a unit be accepted without a return authorization number. The warranty is in lieu of all other warranties expressed or implied, including without limitations, any other implied warranty or fitness or merchantability for any particular purpose, all of which are expressly disclaimed. Proof of sale may be required in order to claim warranty.

## Specifications

- Max. Power Handling: 5 - 100 Watts
- Sensitivity: 91dB @ 1 watt/1 meter
- Freq. Response: 50 Hz-20,000 Hz
- Driver Complement: 6 1/2" (165mm) dual voice coil compression molded talc-filled polycarbonate cone woofer with rubber surround  
Dual 3/4" (19mm) pivoting, fluid-cooled Tetron dome tweeter
- Nominal Impedance: 8 + 8 ohms
- Overall Dimensions: 9.25" (diameter) round x 4" D (235mm x 102mm)
- Required Ceiling Cutout: 8.25" (diameter) round (210mm)

www.elura.audio

MSTR