

ANZZI GLASS SHOWER DOOR INSTALL GUIDE

Models:

SD-AZ07-01, SD-AZ8073-01
SD-AZ09-01, SD-AZ8075-01
SD-AZ09-02, SD-AZ8075-02

Have questions? Call us at 305-614-4070 or
email at info@anzzi.com.

GETTING STARTED

Notice: This assembly requires two people due to the weight of the glass doors. Professional installers are highly recommended.

1. Carefully inspect all boxes and packages to make sure no damage occurred during shipping. If you find a unit has been damaged, is missing parts, or has finishing defects, immediately contact customer service.

Once all boxes and packages are inspected and opened, thoroughly read through this instruction manual. Take time to view the “Detailed Diagram of Shower Door Components” page and mark each piece as you ensure all necessary parts required for assembly are included in the package.

2. Note: Keep in mind that we are not responsible for code compliance standards for your project and we will not accept any returns. Plumbing and building codes differ from one location to another, so it is crucial to review your local building codes before installation to help answer any questions you have about installation compliance standards.

3. For installation in a newly constructed area, be sure to install all required drainage and plumbing before shower installation. Check local code requirements for plumbing installation as some areas require installation by a licensed and experienced plumber.

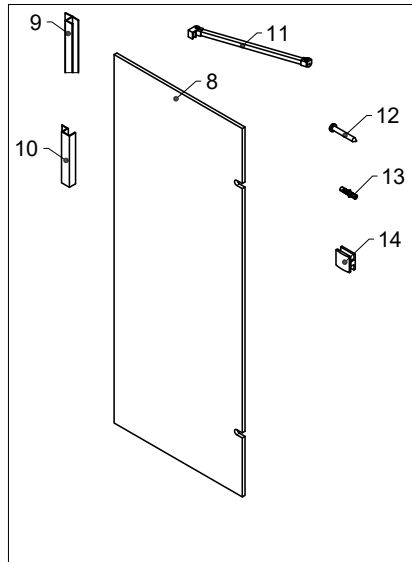
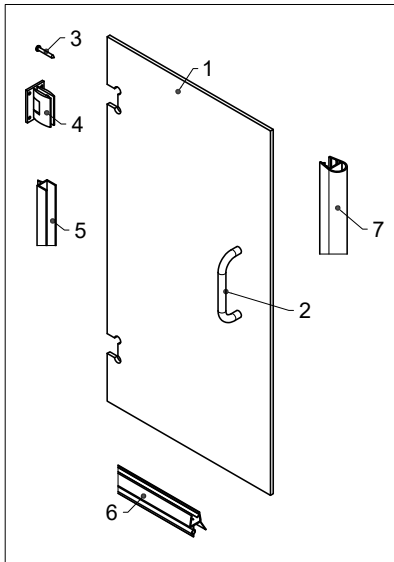
4. Make sure the installation surface area is level, solid, and can support the entire weight of the unit and the walls are plumb before beginning installation. Leveling adjustments and drilling may be necessary depending on the unit being installed. Major problems may occur if the surface area isn't level and installation is abnormal. It is recommended that all primary surfaces of the unit be protected during installation. Avoid setting the glass directly onto a tile floor. For best protection practice, use a piece of cardboard or wood to keep the bottom edge and corners of the glass from becoming damaged.

5. CAUTION: Ensure your walls are at right angles as doors under 30” do NOT have out-of-plumb adjustments.

6. NOTE: Commonly used parts are packed inside the carton and there may be some unused or remaining parts.

7. Due to the weight and hinges of this door, it MUST be attached to the studs or preinstalled behind-the-wall 2x6 wood reinforcement.

PARTS LIST



- | | | |
|-----|------|---------------------------------|
| 1. | (1x) | Glass door |
| 2. | (1x) | Handle |
| 3. | (8x) | Screw ST5x70 |
| 4. | (2x) | Hinge |
| 5. | (1x) | Side strip |
| 6. | (1x) | Bottom water proof strip |
| 7. | (1x) | Bumper strip |
| 8. | (1x) | Glass panel |
| 9. | (1x) | Support bar |
| 10. | (2x) | Wall anchor |
| 11. | (2x) | Screw ST4.2x35 |
| 12. | (1x) | Silicone cleaner |
| 13. | (2x) | Glass bottom protection seal |
| 14. | (1x) | Decorative screw cover |
| 15. | (1x) | Bottom bracket |
| 16. | (1x) | Water proof strip for Door |
| 17. | (1x) | Water proof strip for Enclosure |
| 18. | (2x) | Wall bracket |

TOOLS YOU'LL NEED

Tape Measure, Pencil, Phillips Screwdriver
 Drill Bits D=5/16"
 Level, Caulking Gun, Electric Drill, Hammer

TUB DOOR

DESIGN "A":

ATTENTION: This assembly portion only requires the parts from Diagram "A" for the assembly and installation of the Single Shower Door.

Single Shower Door 23"-30"

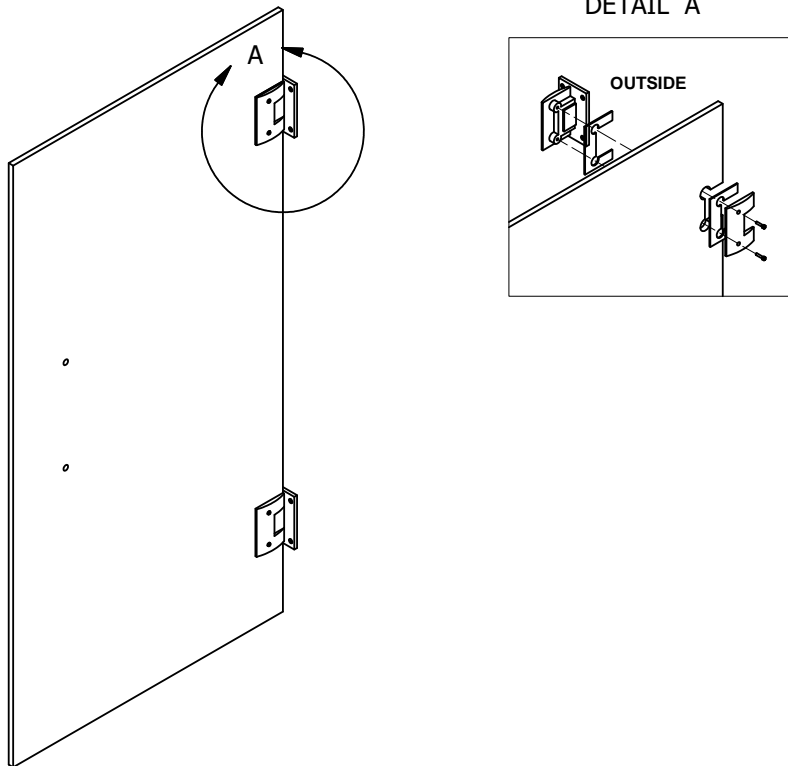
Diagram "A" is required for assembly

1. Secure the Hinges (05) to the Glass Door (01). Refer to Figure 1 for details.

NOTICE: Do NOT place glass directly on a tile surface. To best protect the glass, ALWAYS lay the glass on a piece of cardboard or wood. Protect the edges and corners of the glass by keeping the corner pads on the glass until it becomes necessary to remove them for installation.

2. Position a flat piece of timber (5/8" thick) on the shower base or threshold. Carefully remove the corner pads from the Glass Door (01) and place the Glass Door gently on the timber piece. Place the hinged side of the door adjacent to the wall and carefully butt them together. Make necessary adjustments to the door position and make sure it is vertically level.

NOTE: To ensure the door is perfectly plumb, use a leveler tool.



HINGES

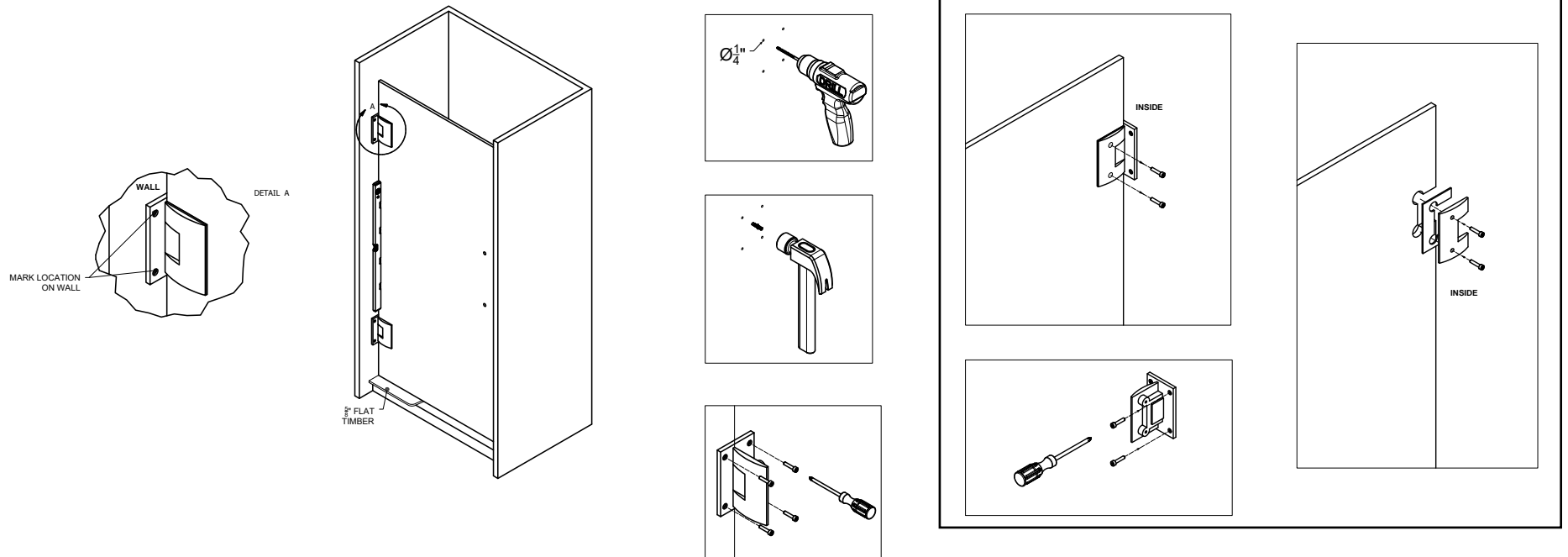
3. Securely hold the glass door in place and mark drill holes on the wall for both Hinges (05). With holes marked, set the door aside and use a $\text{\O} \frac{1}{4}$ " drill bit to drill the holes in the wall. Gently set the Glass Door (01) back on the flat timber and adhere the hinges to the wall using two Countersunk Screws ST5x70 (04) on the hinge from the shower's exterior.

NOTICE: Due to the heavy weight and hinges on the door, it MUST be affixed to the studs in the wall or, if necessary, a 2x6 wood reinforcement preinstalled behind the wall.

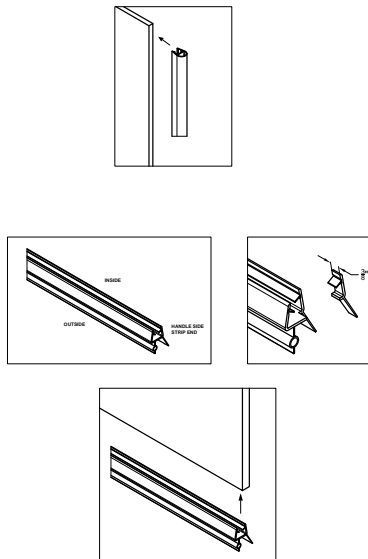
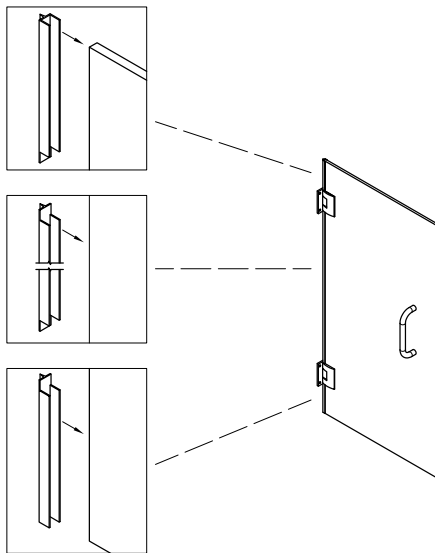
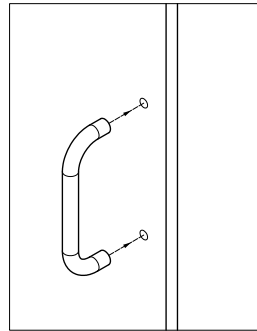
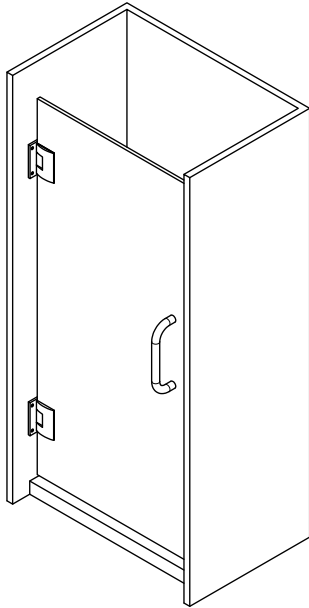
NOTICE: The drilled holes in the wall are very close to the backplate of the hinge. If care is not taken when installing the long screws or screwdriver may scratch the back plate.

4. (OPTIONAL) Gently remove the back plates from the Hinges (05) and place the Glass Door (01) in a safe and secure place. Screw in the remaining Countersunk Screws ST5 x 70 (04) into the wall. Carefully replace the Glass Door to its prior position and reassemble the Hinges.

5. Attach the Handle (02) to the Glass Door (01).



GLASS DOOR



6. Obtain the following measurements:

- Top edge of Glass Door (01) to the upper portion of the top Hinge (05)
- Lower portion of the upper Hinge to the upper portion of the bottom Hinge
- Lower portion of the bottom Hinge to 1/16" above the shower base.

Use the above measurements to cut the Side strip (06). To cover the space to the wall, create a notch in the cut strip to allow them to slide into the Hinge. Take off the timber plate. With Glass Door opened fully, carefully press the cut strips onto the vertical edge of the Glass Door.

7. Precisely measure the lower portion of the Glass Door (01) from the Side Strip (06) to the vertical edge on the side with the Handle (02). Using this measurement, cut the Bottom Anti-Water Strip (07) to size and create a 3/8" notch in the interior side of the Bottom Anti-Water Strip.

ATTENTION: When the door is shut, the Handle side of the Glass Door should be tight to the Anti-Water Strip (07) along the vertical edge. Refer to Figure 7 for details.

ATTENTION: Before moving to the next step, ensure the portion of the wall involved in installation of the L-Shaped Strip (08) is clean, void of any construction debris, oil, or soap, and the area is fully dry.

8. Close door and press the Bumper Strip (08) along the edge of the door.

9. This is the final step for Design "A" products.

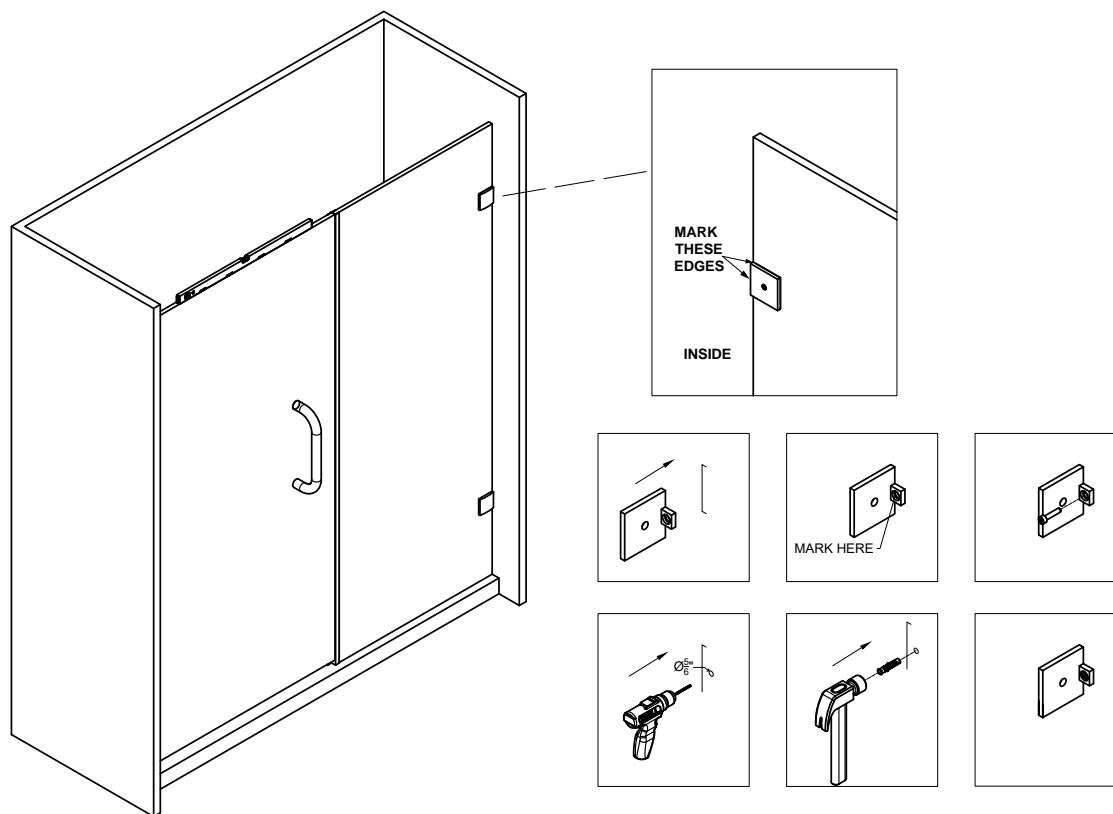
GLASS PANEL

NOTICE: Doors wider than 30" will need an additional Stationary Glass Panel (11):
See Design "B" for installation and assembly of Stationary Glass with Support Bar.

DESIGN "B":

ATTENTION: This assembly portion only requires the parts from Diagram "B" for the assembly and installation of the Stationary Glass.
Diagrams A and B are required for assembly of shower door with 6" small or 14"-30" large Stationary Glass.

21. Install the two Wall Bracket (24) through the notches on the Stationary Glass (11). Place the Anti-Water Strip (19) firmly on the vertical edge of the Stationary Glass.



GLASS PANEL

22. Gently butt the vertical edge of the Stationary Glass (11) against the wall.

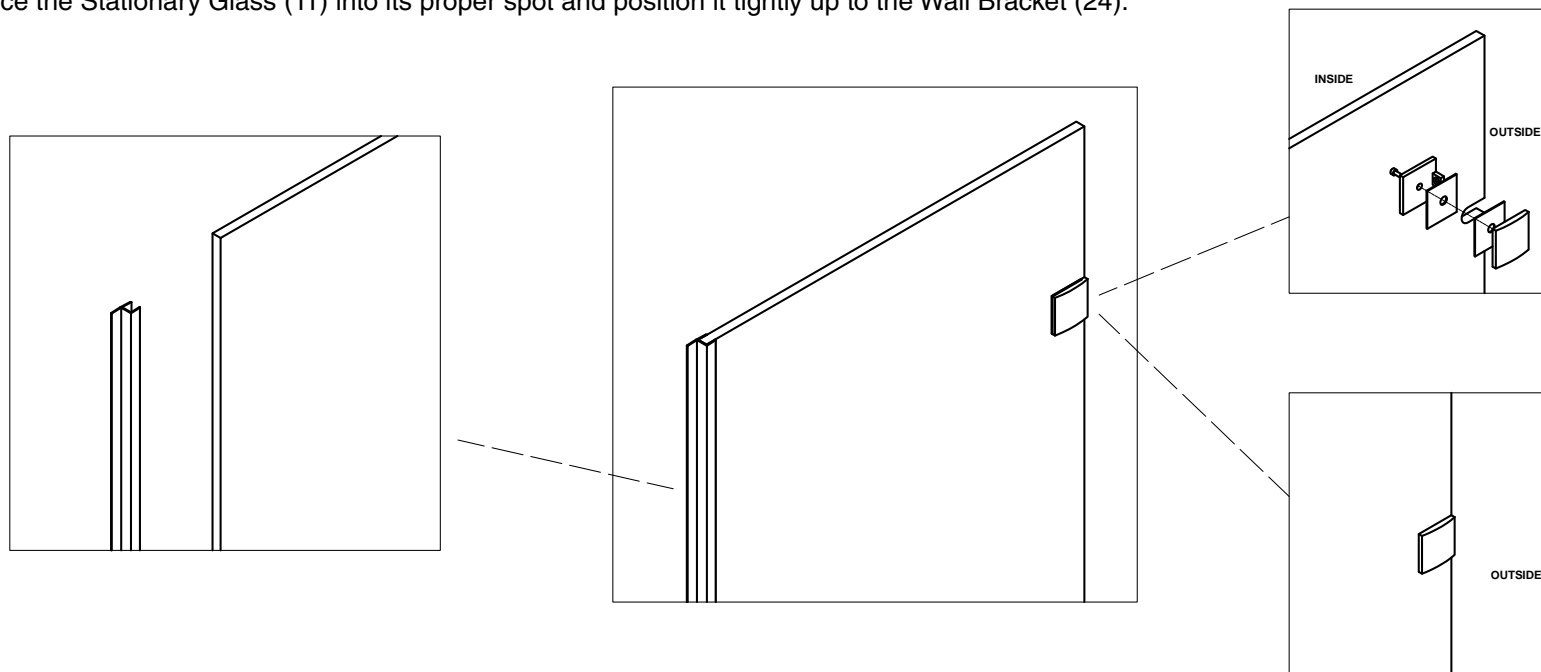
23. Securely hold the Stationary Glass (11) in place and close the Glass Door (01) while aligning it with the Stationary Glass. It may be necessary to adjust the position of the Anti-Water Strip (19) to ensure a tight fit with the top and bottom of the Glass Door. From the interior of the shower, precisely outline the placement of the Wall Brackets (24).

ATTENTION: Make sure the top of the Stationary Glass and top of the Glass Door are level.

24. Extend the Glass Door (01) open and gently place the Stationary Glass (11) nearby. Take the Wall Brackets (24) off the Stationary Glass.

Mark the hole on the wall by replacing Wall Brackets to the position outlined. Using a $\text{Ø } 5/16''$ drill bit, drill a hole and insert the Wall Anchor (13). Use the Big Flat Head Screws ST4.2x35 (15) to attach the Wall Brackets to the wall.

25. Replace the Stationary Glass (11) into its proper spot and position it tightly up to the Wall Bracket (24).



SUPPORT BAR

DESIGN "B":

ATTENTION: This assembly portion only requires the parts from Diagram "B" for the assembly and installation of the Support Bar.

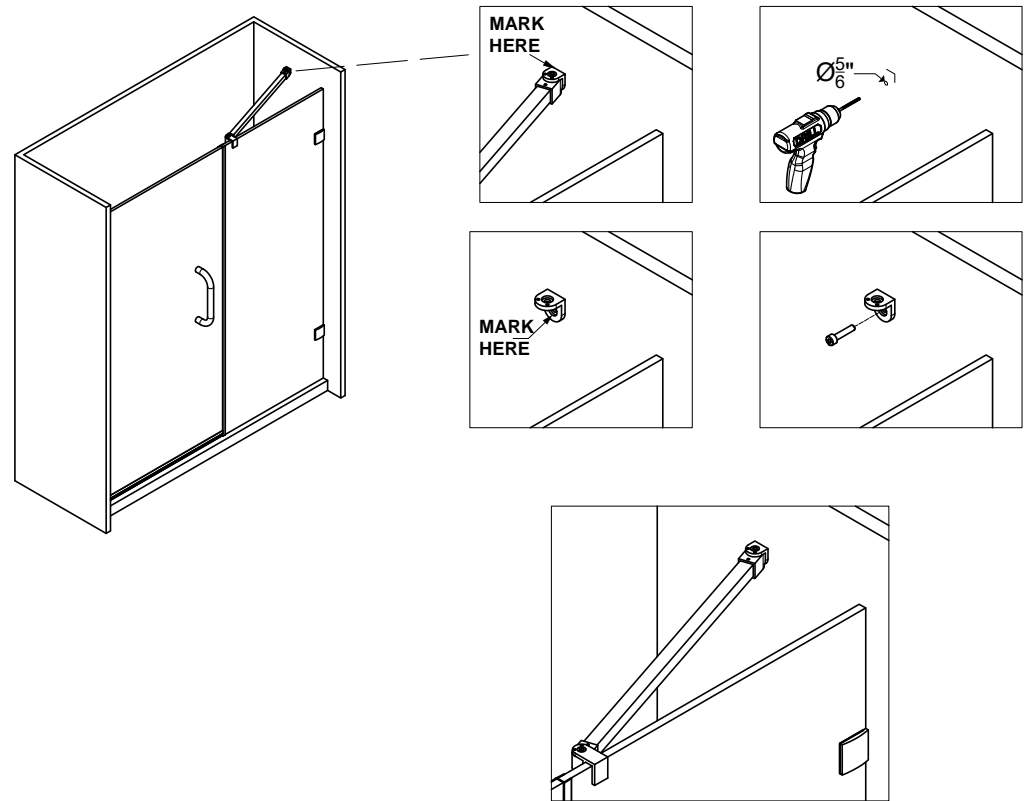
NOTICE: The Support Bar* MUST be installed to allow for greater stability if the width of the Stationary Glass is 12" or greater.

27. Find the Support Bar* (12) and adjust it to an appropriate position on the glass and wall then level it horizontally. While holding it firmly in place, make a precise outline of the position of the brackets on the wall. Carefully remove the Support Bar* and disassemble the wall bracket. Hold the bracket up to the position you outlined on the wall and mark the drilling hole.

Using a $\text{Ø } 5/16$ " drill bit, drill the hole and insert the Wall Anchor (13). Use the Big Flat Head Screws* ST4.2x55 (15) to attach the wall bracket to the wall. View Figure 27.6 then secure the glass by fastening the Support Bar* to the wall and tighten the set screws and the glass-holding screw.

28. Carefully add the sealant along the area where the Stationary Glass meets the wall and along the Shower Base or Threshold. Clean the silicone using the tool Silicone Cleaner (25).

WARNING: WAIT 24 HOURS BEFORE USING THE SHOWER ENCLOSURE TO ALLOW THE SILICONE GEL TO DRY COMPLETELY.



MAINTENANCE

Guarantee a longer life of the hardware finish by wiping off the metal parts with a soft cloth after each use. Avoid using abrasive cleaners and products especially those that contain bleach, acid, or ammonia. In the case that these chemicals are used, thoroughly rinse the surface as soon as possible and wipe dry with a soft cloth. Stainless-steel surfaces should be cleaned once a week or as needed. When applying a stainless-steel polish or cleaner, work with the grain and not against it. Avoid the use of abrasive tools such as wired brushes, abrasive cloths or sponges, or steel wool.

Tempered Glass: Nonabrasive bathroom cleaners and your usual glass cleaner may be used to clean tempered glass. Be sure to thoroughly rinse off any cleaner. Do NOT strike the glass with any hard or sharp object as it could cause immediate damage or cause the glass to eventually break.

Wheel Maintenance: To keep the roller movement smooth, apply a small amount of lubricating oil. Periodically adjust the wheel screw to ensure the moving door slides smoothly and the bearing functions effectively.