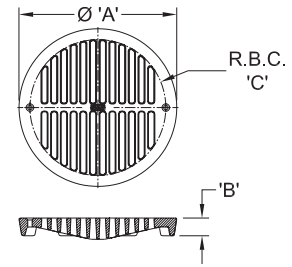


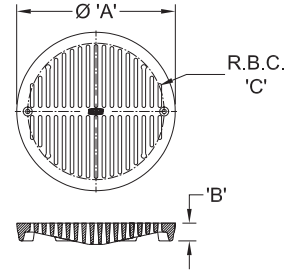


ROUND GRATE/COVER REPLACEMENTS

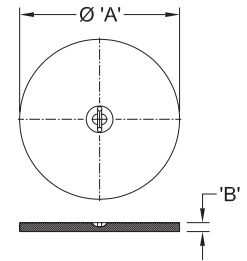
Z505, Z509, Z512, Z534						
Item No.	Diameter 'A'	Rim Thickness 'B'	R.B.C. 'C'	Open Area. Sq. In.	Ordering No.	Casting No.
35	11-3/16"	1-1/4"	4-13/16"	33	P509-DG-GRATE	50453-16



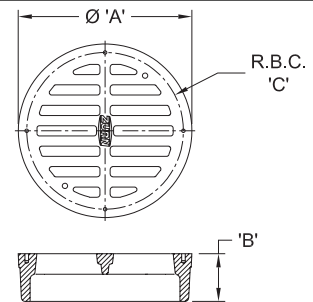
Z505, Z509, Z534, -HP Heel Proof Grate						
Item No.	Diameter 'A'	Rim Thickness 'B'	R.B.C. 'C'	Open Area. Sq. In.	Ordering No.	Casting No.
36	11-3/16"	1-1/4"	4-13/16"	29	P504-HP-GRATE	58750-9



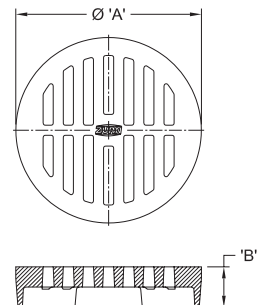
Z505, Z509, Z512, -SC Solid Cover						
Item No.	Diameter 'A'	Rim Thickness 'B'	R.B.C. 'C'	Open Area. Sq. In.	Ordering No.	Casting No.
37	11-3/16"	5/8"	-	-	P541-SOLIDCOVER-USA	83019-1



Z507						
Item No.	Diameter 'A'	Rim Thickness 'B'	R.B.C. 'C'	Open Area. Sq. In.	Ordering No.	Casting No.
38	6-3/8"	1-3/4"	2 7/8"	9	P507-GRATE-USA	4177-1



Z508, Z511, Z520, Z627						
Item No.	Diameter 'A'	Rim Thickness 'B'	R.B.C. 'C'	Open Area. Sq. In.	Ordering No.	Casting No.
39	8-1/16"	1-3/4"	-	15	P508-GRATE	56965-1



⚠ **WARNING:** Cancer and Reproductive Harm - www.P65Warnings.ca.gov
 ⚠ **ADVERTENCIA:** Cáncer y daño reproductivo - www.P65Warnings.ca.gov
 ⚠ **AVERTISSEMENT:** Cancer et effets néfastes sur la reproduction - www.P65Warnings.ca.gov

Zurn Industries, LLC | Specification Drainage Operation
1801 Pittsburgh Avenue, Erie, PA 16502, Ph. 855.663.9876

In Canada | Zurn Industries Limited
7900 Goreway Drive, Unit 10, Brampton, Ontario L6T 5W6, Ph. 877.892.5216

www.zurn.com

Rev. -
 Date: 10/13/2021
 C.N. No. 144086
 Prod. | Dwg. No. FD137