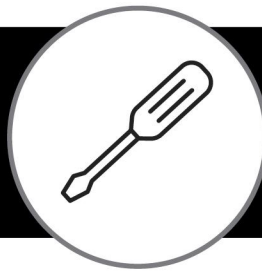


Assembly Guide

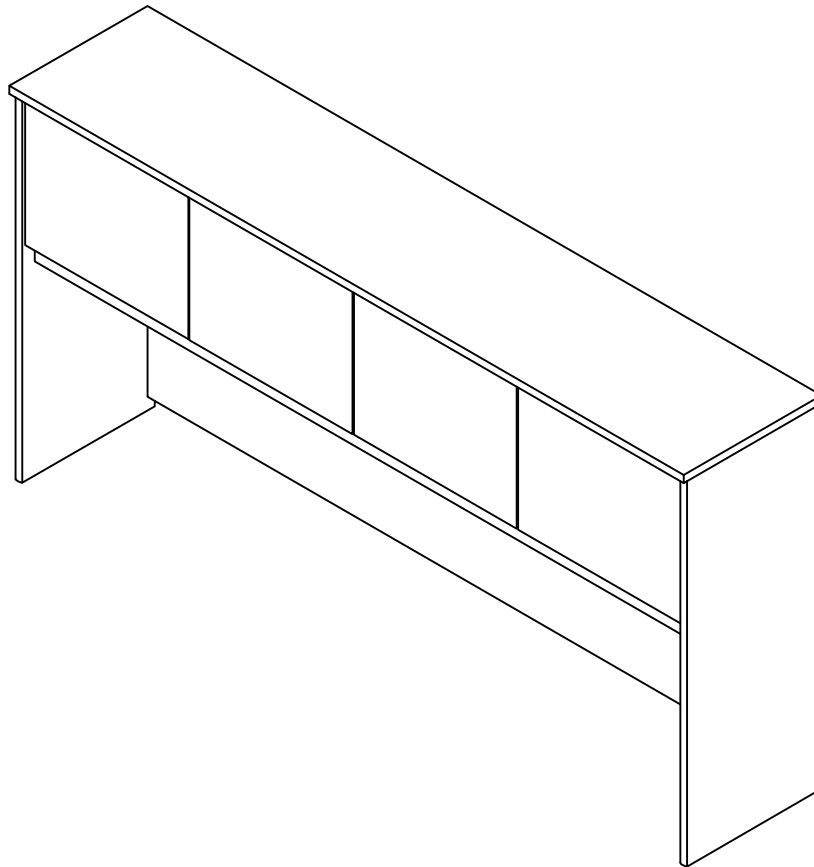


If you're having any difficulty during assembly of this product, don't hesitate to call us at **1-800-950-4782.**

Our customer service experts are trained to provide step-by-step instruction and can easily replace any missing or damaged parts.

Representatives are available Monday-Friday from 8:30 a.m. to 7:30 p.m. (ET)

72" Hutch



Lot Code #

Instruction Sheet Number A176722I

Keep manual for future reference.

For best results, keep these tips in mind:

- ① We know you want to finish this assembly as quickly as possible, but trust us: you'll have a better experience if you take it one step at a time.
- ② Give yourself some room to work near where you want the fully assembled product.
- ③ If your floor isn't carpeted, assemble this product on the empty carton to avoid scratching.
- ④ Do you have a friend who owes you a favor? Some steps may go a little easier with a second set of hands.

DOs

- ✔ Use a #2 Phillips head screwdriver (or other handheld tools as indicated)
- ✔ Wear safety glasses at all times during assembly
- ✔ Carefully follow the instructions in this guide and complete all steps in order
- ✔ Give us a call if you're having trouble with a particularly tricky step

DON'Ts

- ✘ We know power tools are quick and easy, but you shouldn't use them when assembling this product (unless otherwise specified)
- ✘ Never move your furniture with items inside or resting on the surface
- ✘ Do not attempt to use this product before all steps have been completed



Watch assembly videos right on your phone or computer!



Some steps include QR codes that link to helpful videos. Watch out for the icon below! Simply open up your smartphone camera to scan the code.

(Users of older smartphones may need to install a QR Reader.)

SCAN HERE



FOR VIDEOS

Or visit <https://www.bushbusinessfurniture.com/CustomerService/HowtoAssemble.aspx>

IMPORTANT SAFETY INFORMATION



PLEASE READ WARNINGS

Improper use can cause safety hazards, or damage to your furniture and household items.

Warning	Do	Don't	Why it's important
Serious injury may occur.	<ul style="list-style-type: none">Assemble following all instructions using all indicated parts and hardware provided.Attach hutch only as described in the instructions.Verify furniture is stable on it's own.Only place against a permanent wall structure at least as tall as the hutch or place back-to-back with hutch of same size.	<ul style="list-style-type: none">Do not move unit when loaded.Do not load with a television or other heavy equipment.Do not exceed the maximum load limits stated in the instructions.Do not allow children to climb, or hang on furniture.	Improper assembly, use or loading can lead to product instability, tip-over or collapse.

Advertencia	Hacer	No	Por qué es importante
Se pueden producir lesiones graves.	<ul style="list-style-type: none">Ensamble siguiendo todas las instrucciones utilizando todas las piezas y ferretería indicados provistos.Conecte la conejera solo como se describe en las instrucciones.Verifique que los muebles sean estables por sí mismos.Solo colóquelo contra una estructura de pared permanente al menos tan alta como la conejera o colóquelo espalda con espalda con una conejera del mismo tamaño.	<ul style="list-style-type: none">No mueva la unidad cuando esté cargada.No cargue con un televisor u otro equipo pesado.No exceda los límites máximos de carga establecidos en las instrucciones.No permita que los niños se paren, trepen o cuelguen de muebles.	El ensamblaje, uso o carga inadecuados pueden provocar inestabilidad del producto, vuelco o colapso.

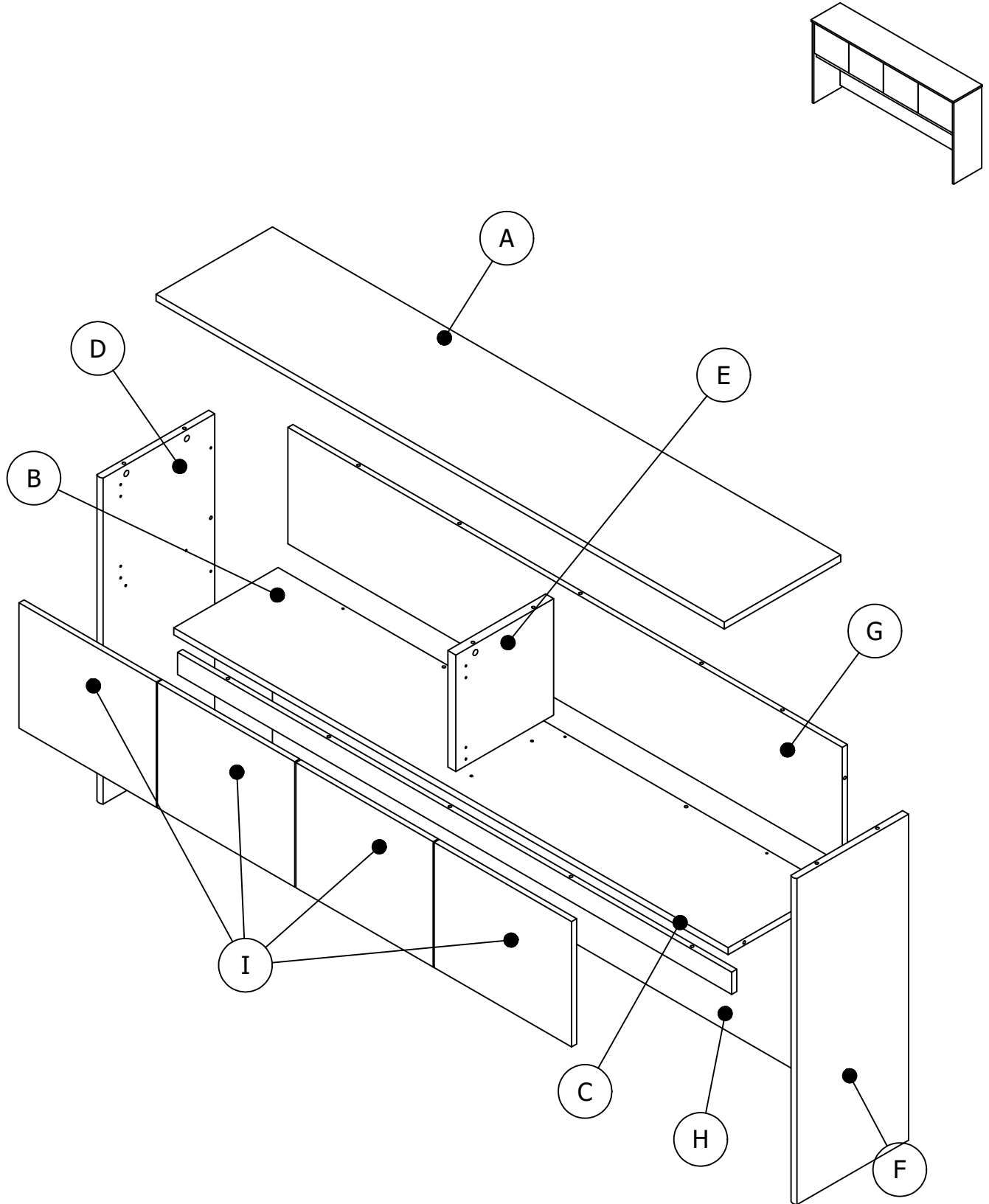
IMPORTANT SAFETY INFORMATION



PLEASE READ WARNINGS

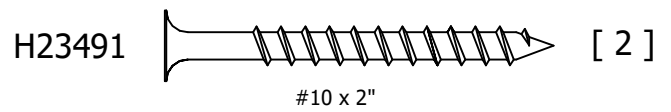
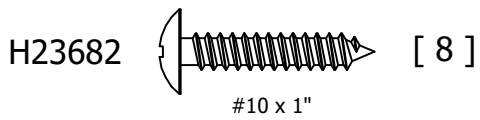
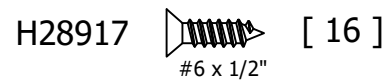
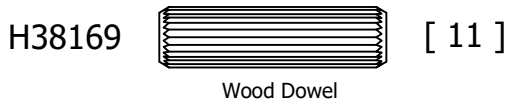
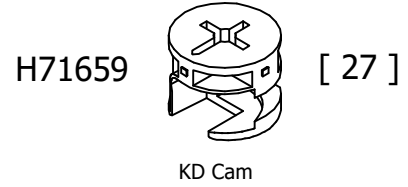
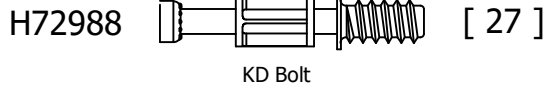
Improper use can cause safety hazards, or damage to your furniture and household items.

Avertissement	Faire	Ne le fais pas	Pourquoi c'est important
Des blessures graves peuvent survenir.	<ul style="list-style-type: none">• Assemblez en suivant toutes les instructions en utilisant toutes les pièces et le matériel indiqués fournis.• Fixez la huche uniquement comme décrit dans les instructions.• Vérifiez que les meubles sont stables par eux-mêmes.• Placer uniquement contre une structure murale permanente au moins aussi haute que la huche ou placer dos à dos avec une huche de même taille.	<ul style="list-style-type: none">• Ne déplacez pas l'unité lorsqu'elle est chargée.• Ne chargez pas avec un téléviseur ou un autre équipement lourd.• Ne dépassez pas les limites de charge maximale indiquées dans les instructions.• Ne laissez pas les enfants grimper ou s'accrocher aux meubles.	Un assemblage, une utilisation ou un chargement incorrects peuvent entraîner une instabilité du produit, un renversement ou un effondrement.



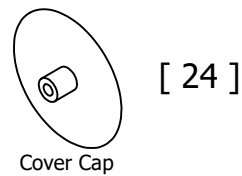
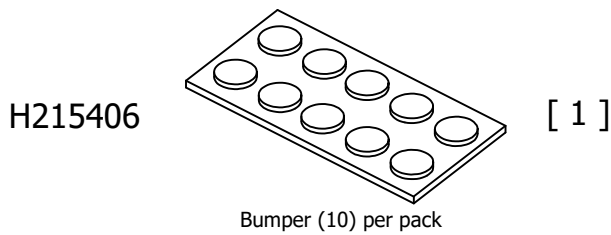
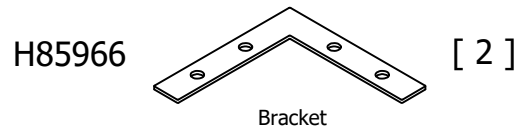
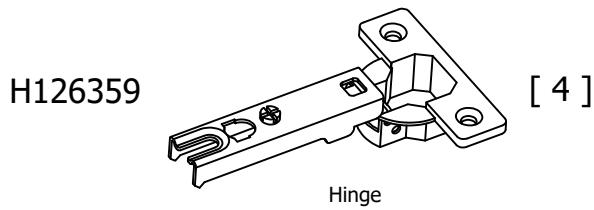
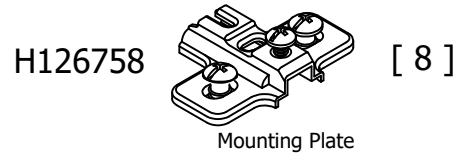
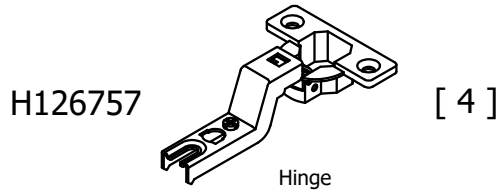
Have an assembly question or need a replacement part? Just call
1-800-950-4782, we are here to help.

Fasteners are shown actual size.



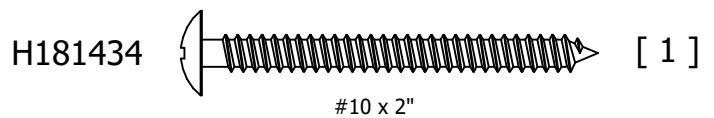
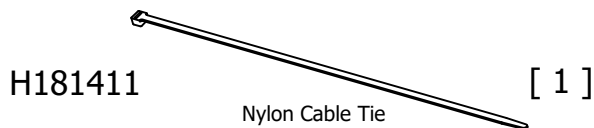
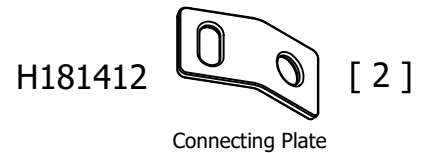
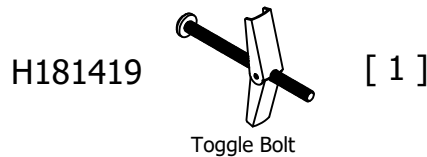
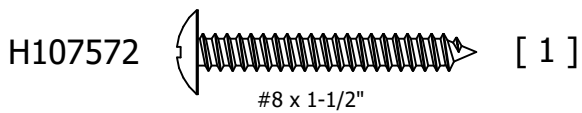
Have an assembly question or need a replacement part? Just call
1-800-950-4782, we are here to help.

Hardware not to scale.



TIPOVER RESTRAINT HARDWARE

SUGERENCIA SOBRE HARDWARE DE RETENCIÓN
MATÉRIEL DE RETENUE SUR LE SUPPORT



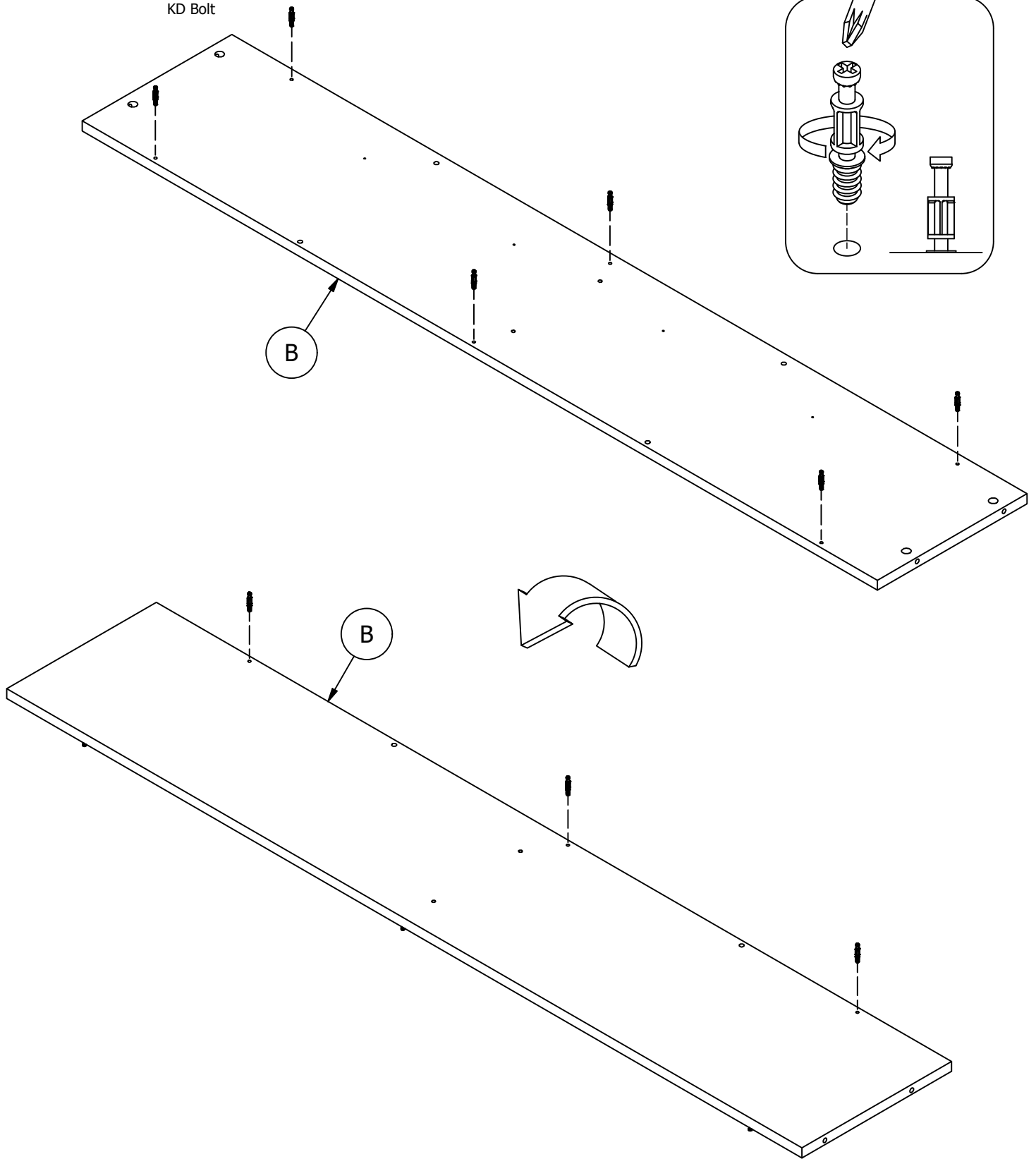
Have an assembly question or need a replacement part? Just call
1-800-950-4782, we are here to help.

STEP 1

Prepare Panels

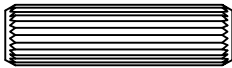
A176722I

H72988 [9]
KD Bolt



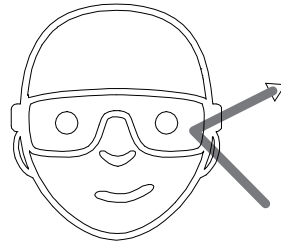
Have an assembly question or need a replacement part? Just call
1-800-950-4782, we are here to help.

H38169

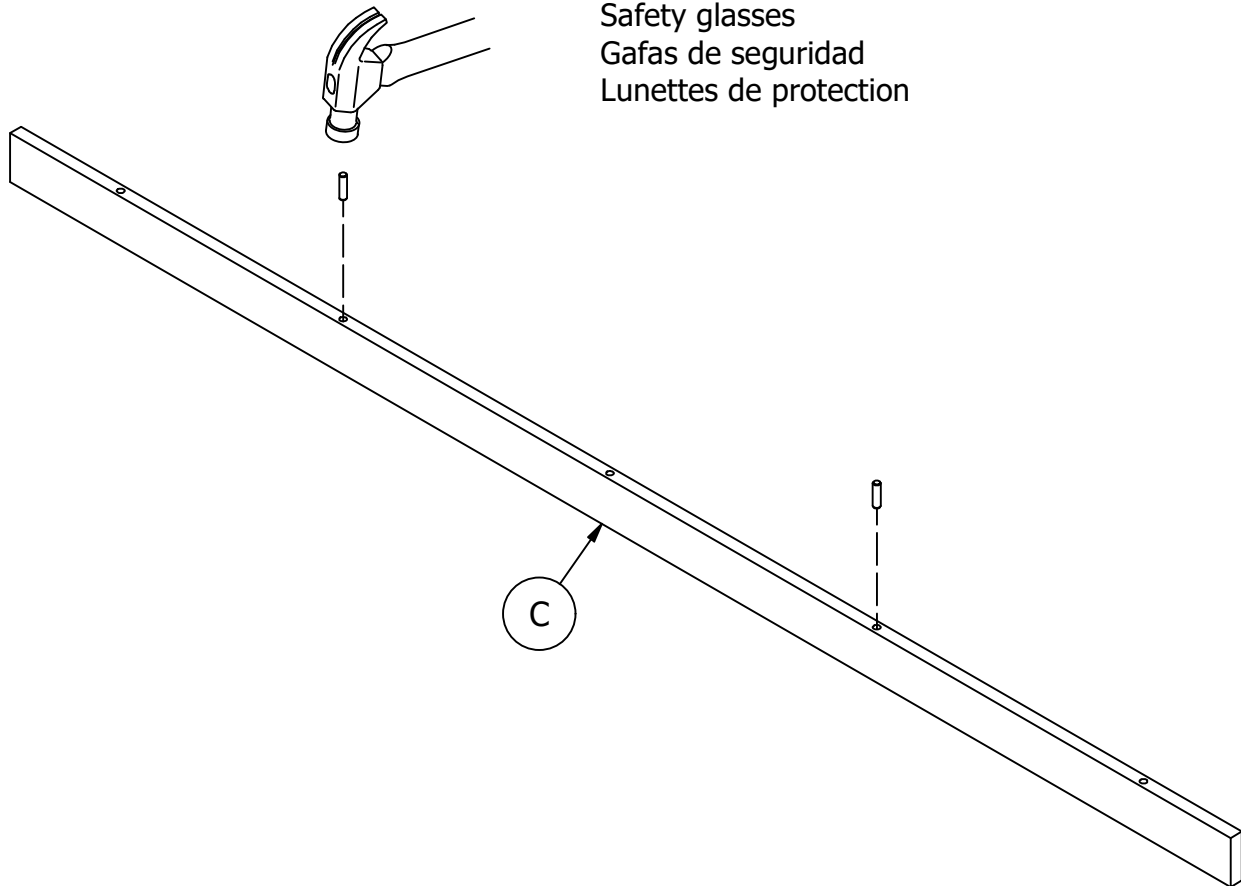


Wood Dowel

[2]



Safety glasses
Gafas de seguridad
Lunettes de protection

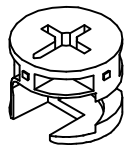


Scan QR Code to Watch Video on:



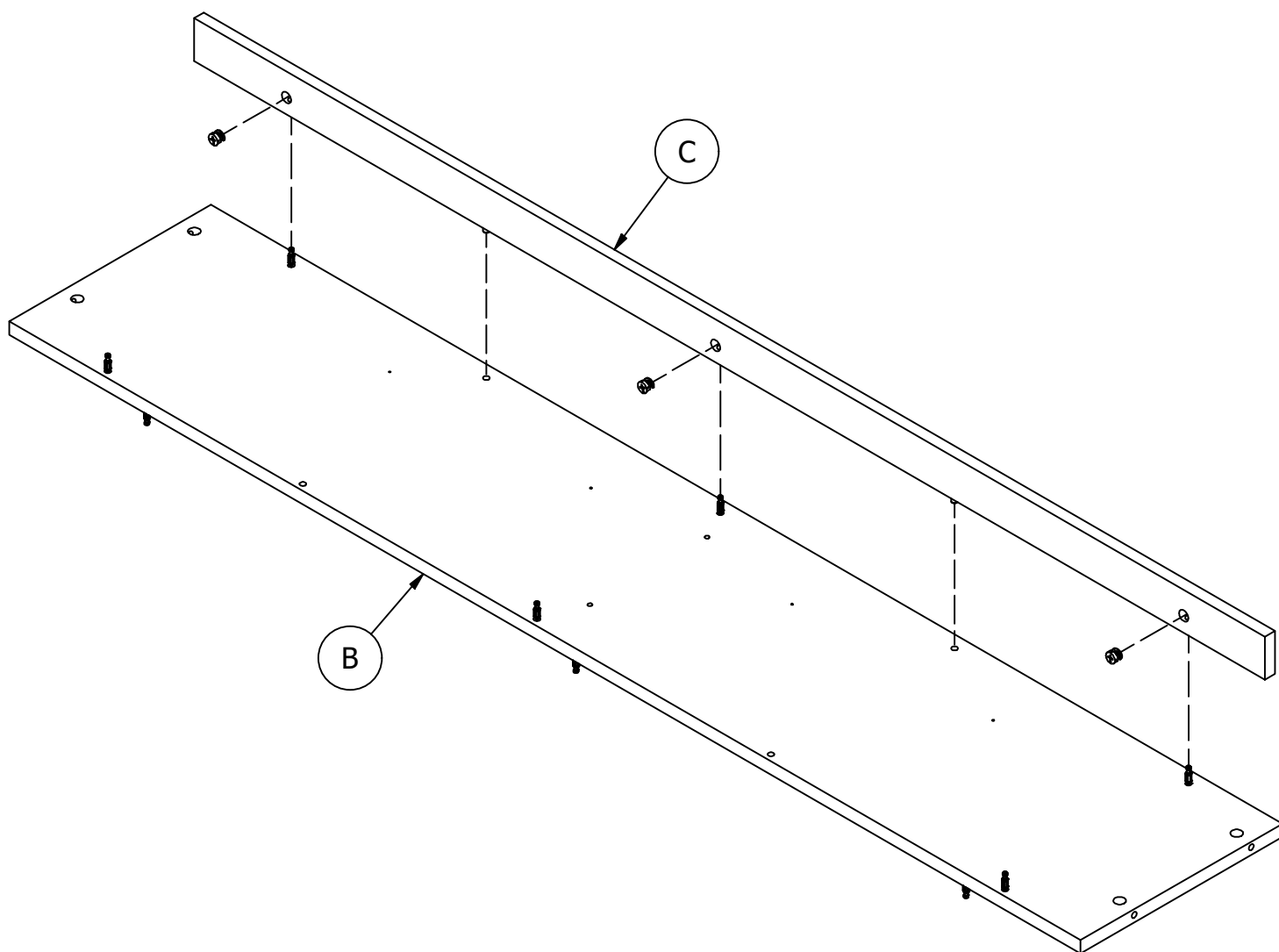
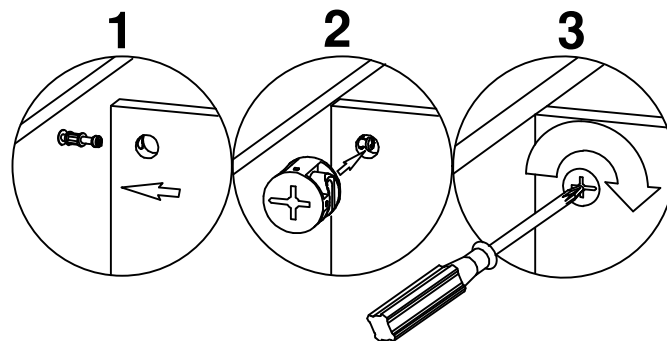
How to Tighten KD Cams

H71659



KD Cam

[3]



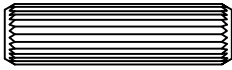
Have an assembly question or need a replacement part? Just call **1-800-950-4782**, we are here to help.

STEP 4

Prepare Panel

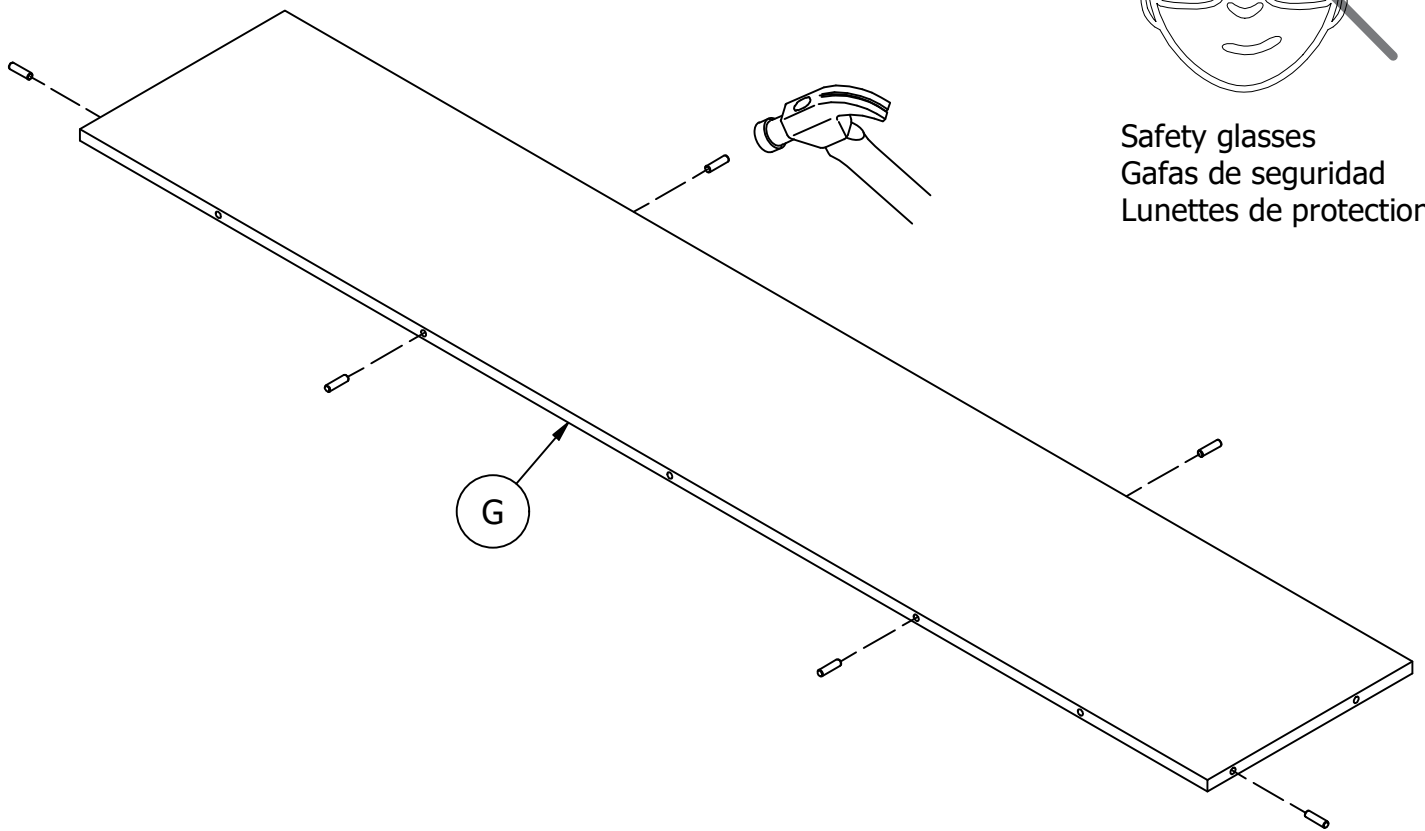
A176722I

H38169



[6]

Wood Dowel



Safety glasses
Gafas de seguridad
Lunettes de protection

Have an assembly question or need a replacement part? Just call
1-800-950-4782, we are here to help.

STEP 5

Assemble Panels

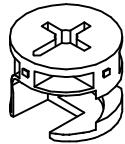
A176722I

Scan QR Code to Watch Video on:



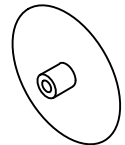
How to Tighten KD Cams

H71659



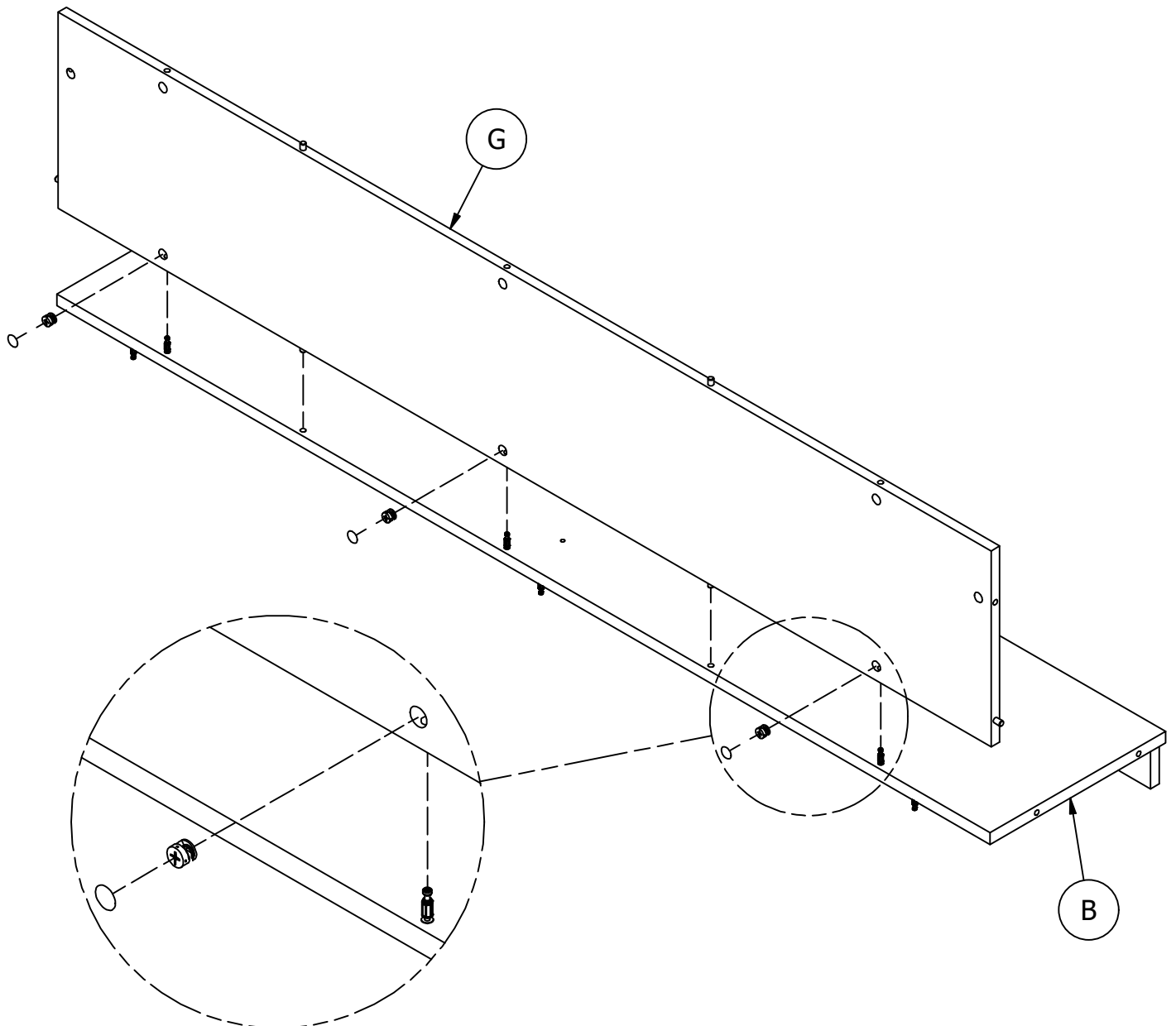
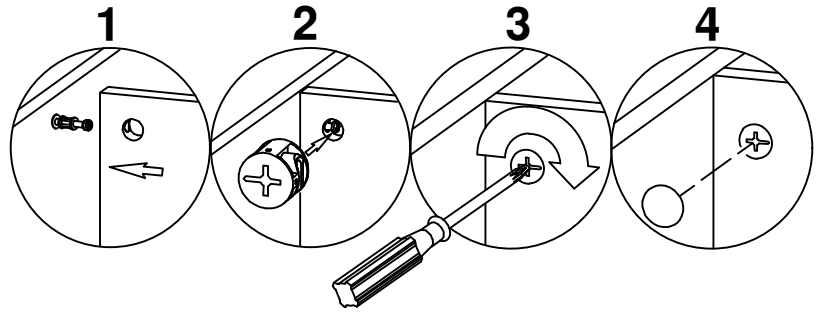
KD Cam

[3]



Cover Cap

[3]



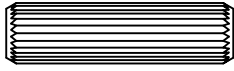
Have an assembly question or need a replacement part? Just call **1-800-950-4782**, we are here to help.

STEP 6

Prepare Panel

A176722I

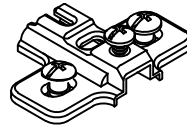
H38169



[1]

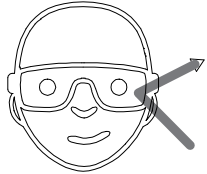
Wood Dowel

H126758

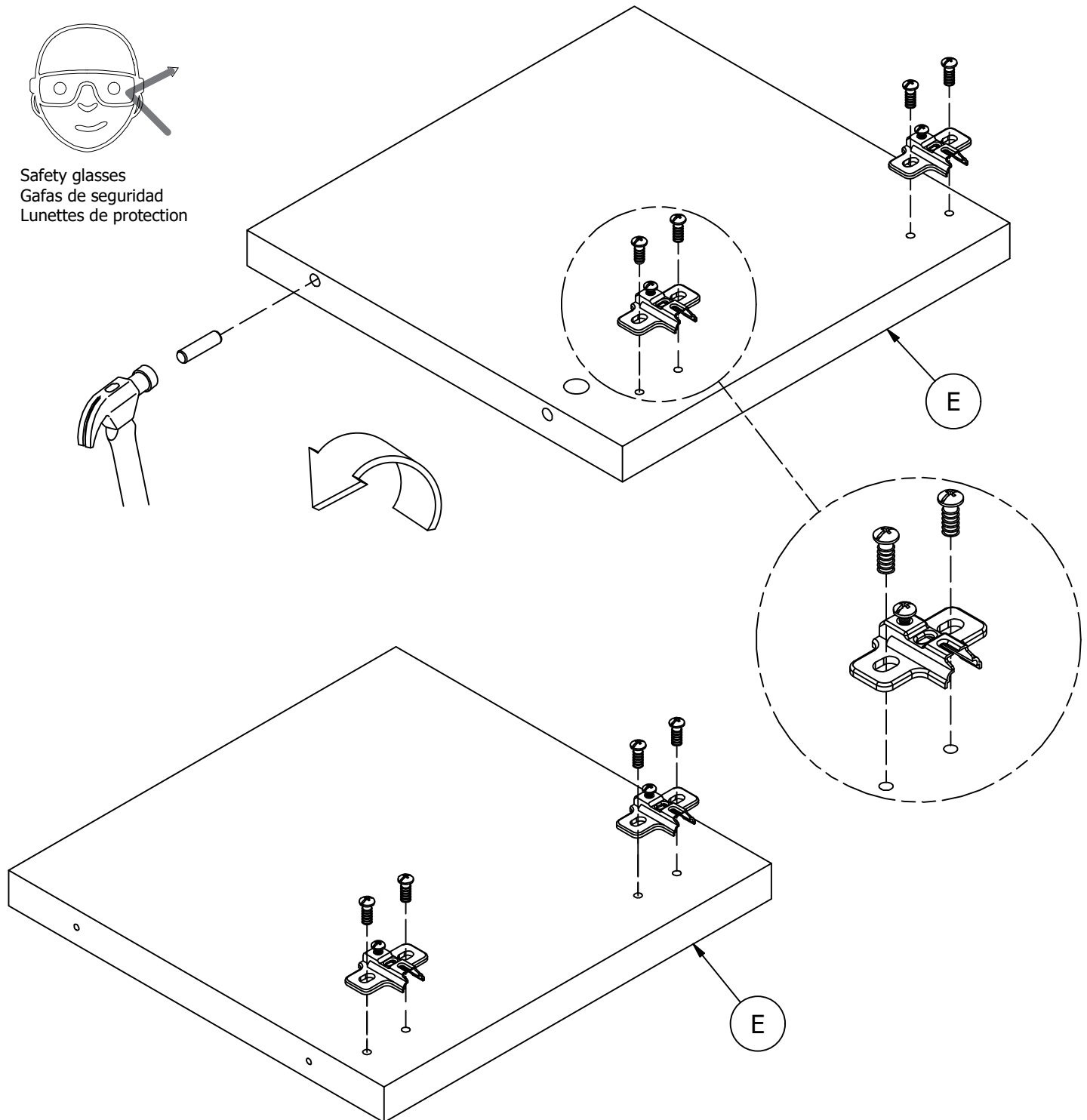


[4]

Mounting Plate

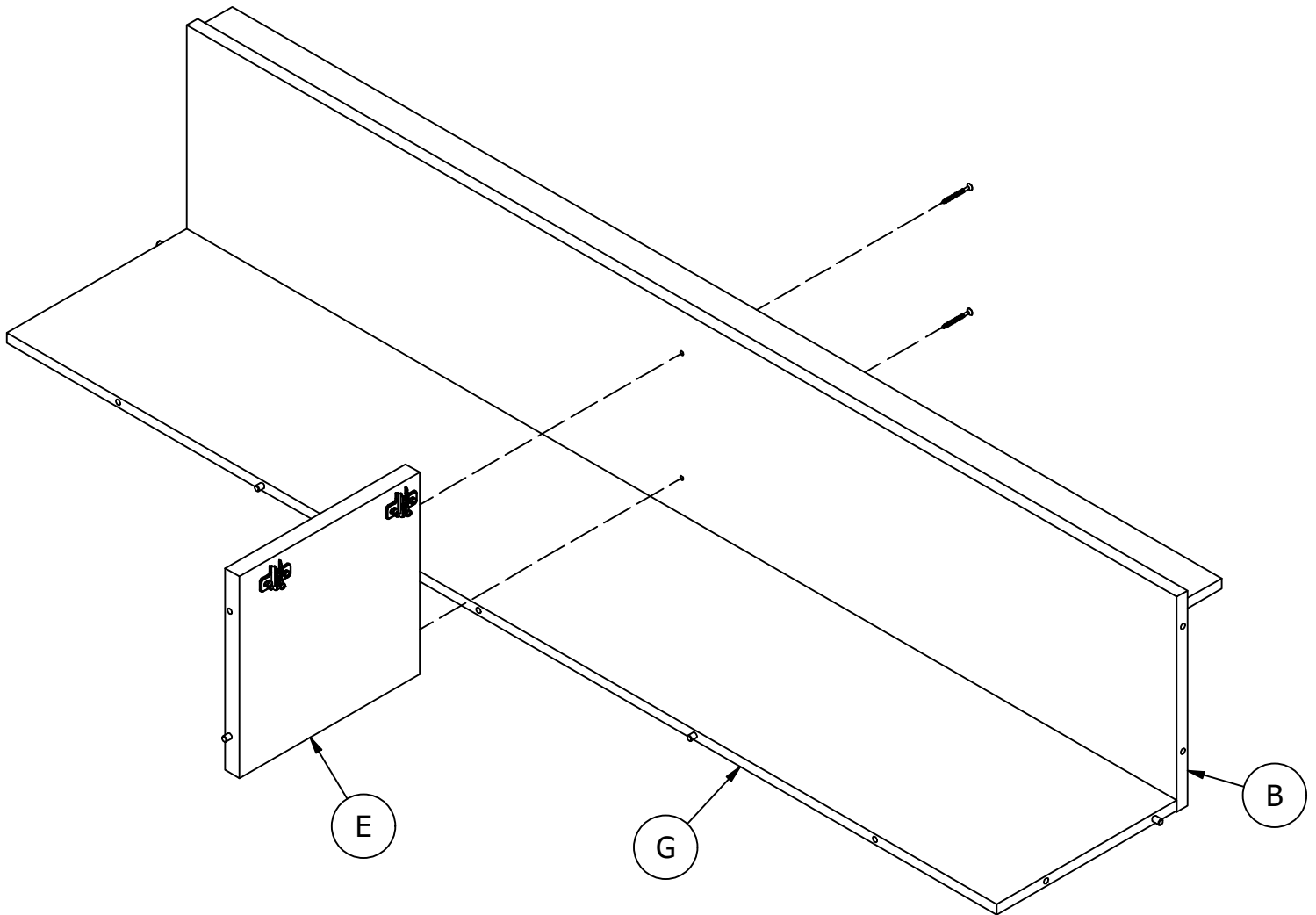


Safety glasses
Gafas de seguridad
Lunettes de protection



Have an assembly question or need a replacement part? Just call
1-800-950-4782, we are here to help.

H23491 [2]
#10 x 2"



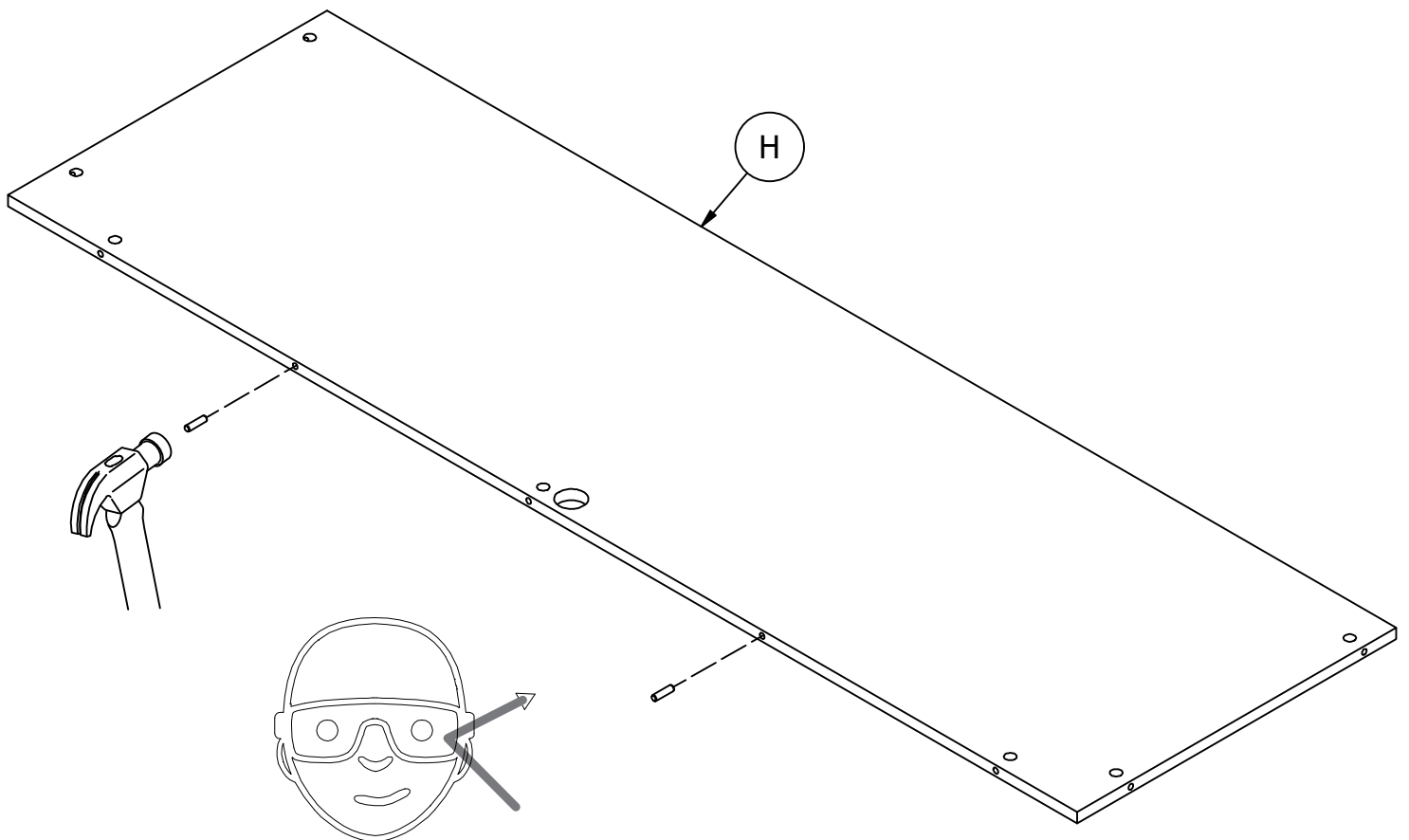
Have an assembly question or need a replacement part? Just call
1-800-950-4782, we are here to help.

H38169

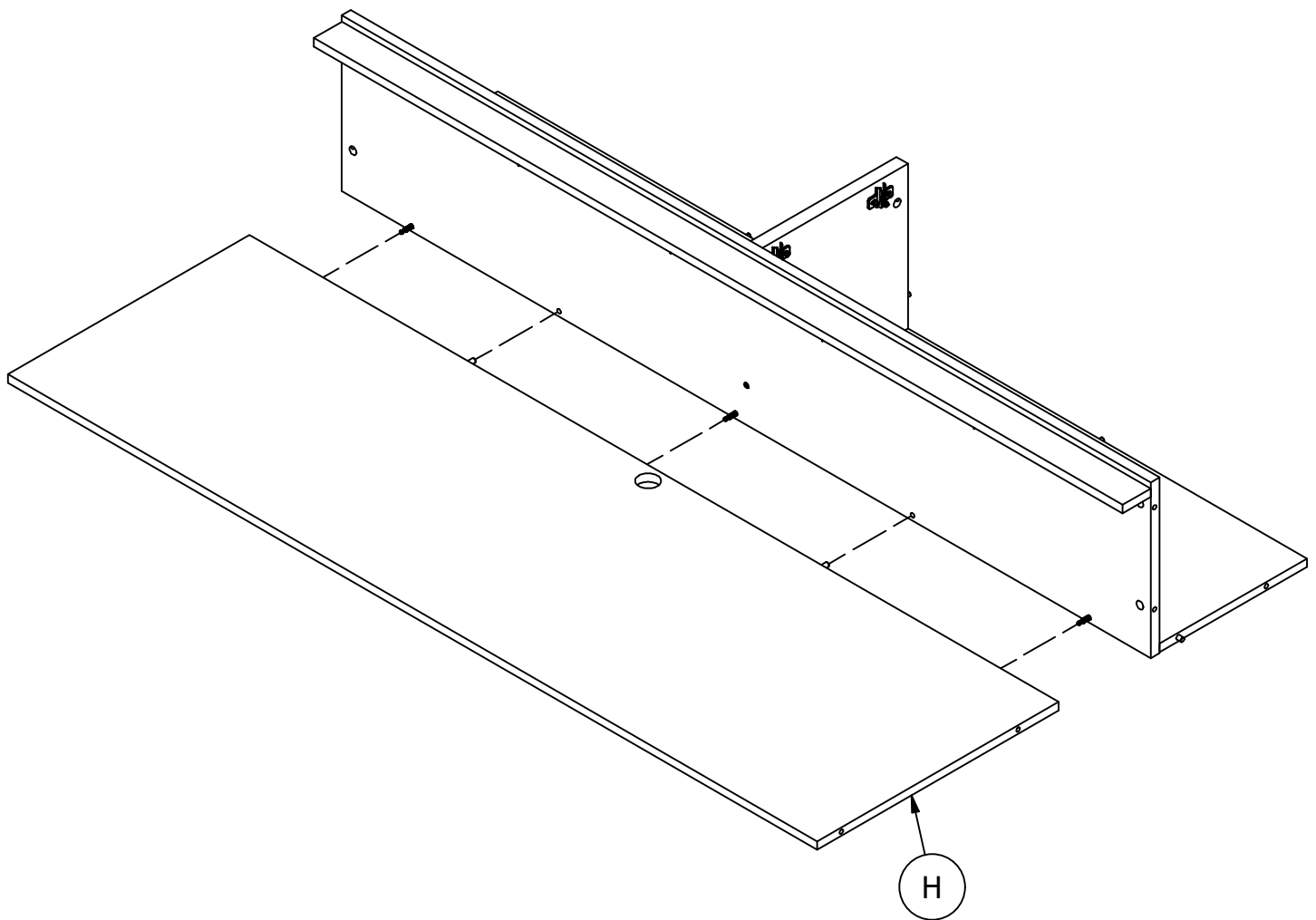
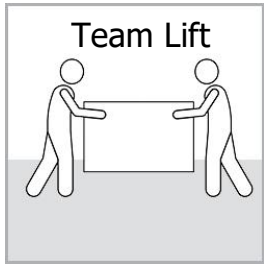


[2]

Wood Dowel



Safety glasses
Gafas de seguridad
Lunettes de protection



Have an assembly question or need a replacement part? Just call
1-800-950-4782, we are here to help.

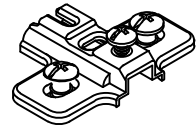
STEP 10

Prepare Panel

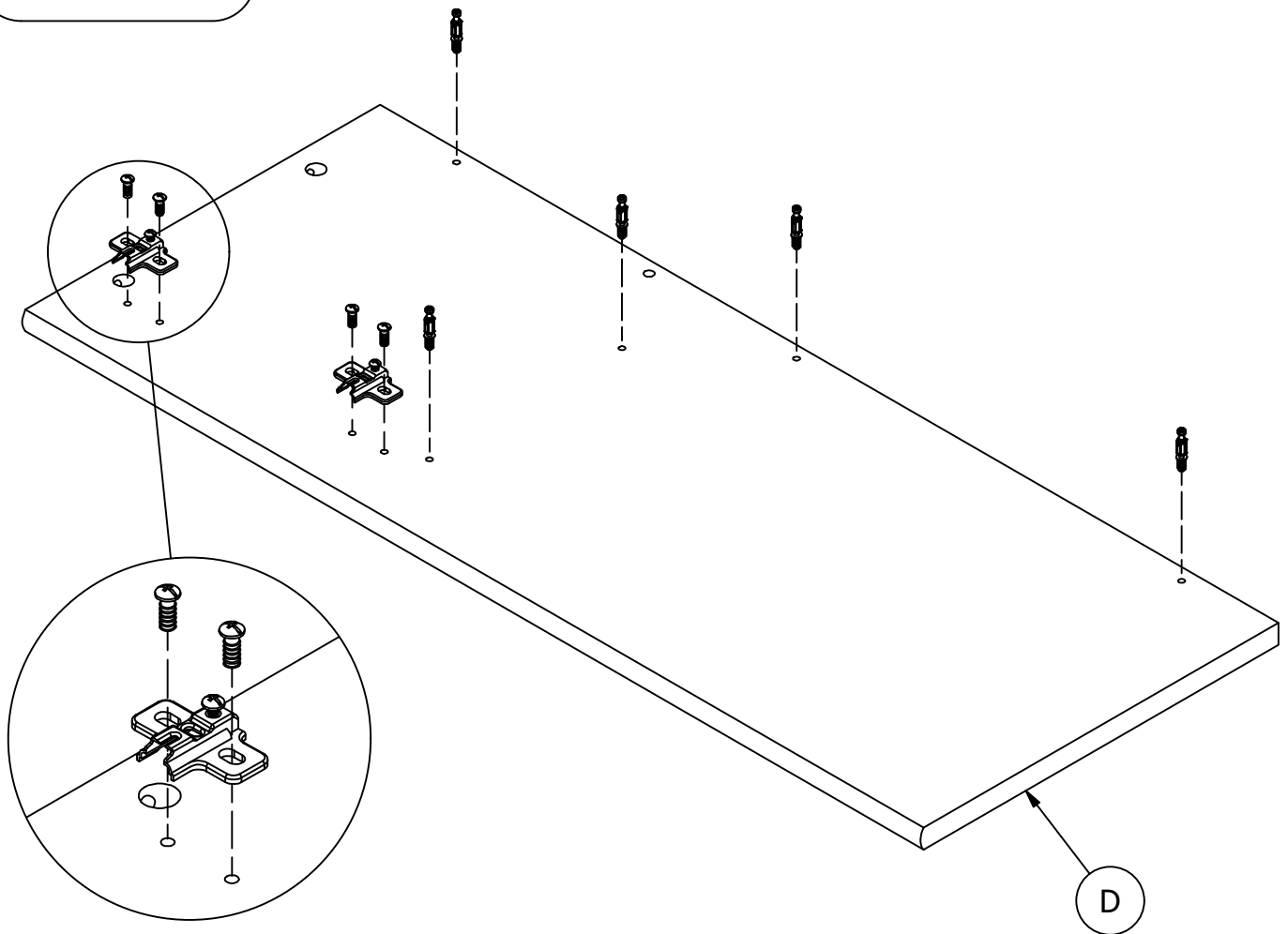
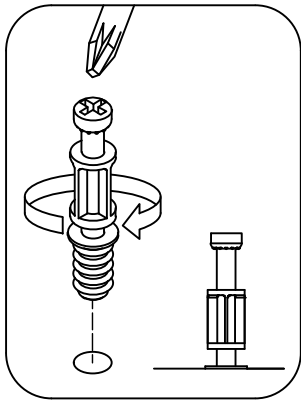
A176722I

H72988 [5]
KD Bolt

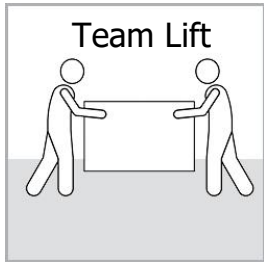
H126758 [2]
Mounting Plate



Mounting Plate



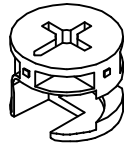
Have an assembly question or need a replacement part? Just call
1-800-950-4782, we are here to help.



Scan QR Code to Watch Video on:

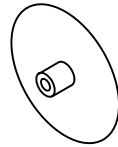


H71659



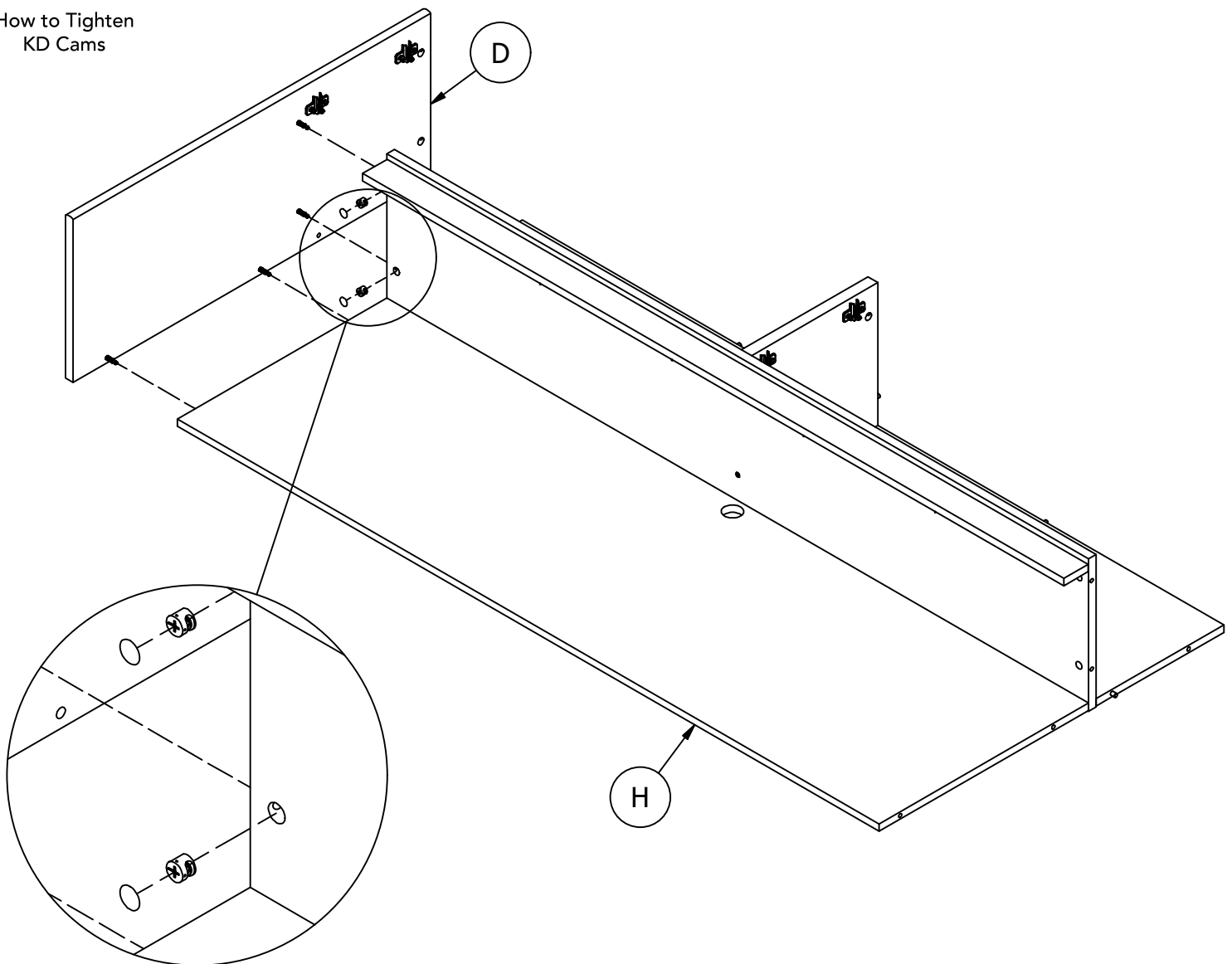
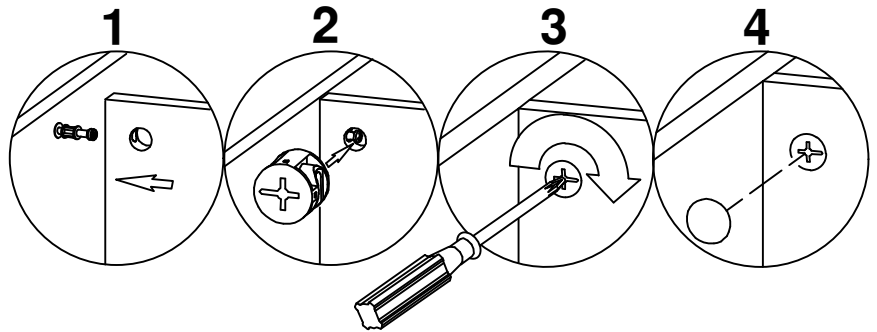
KD Cam

[2]



Cover Cap

[2]



Have an assembly question or need a replacement part? Just call **1-800-950-4782**, we are here to help.

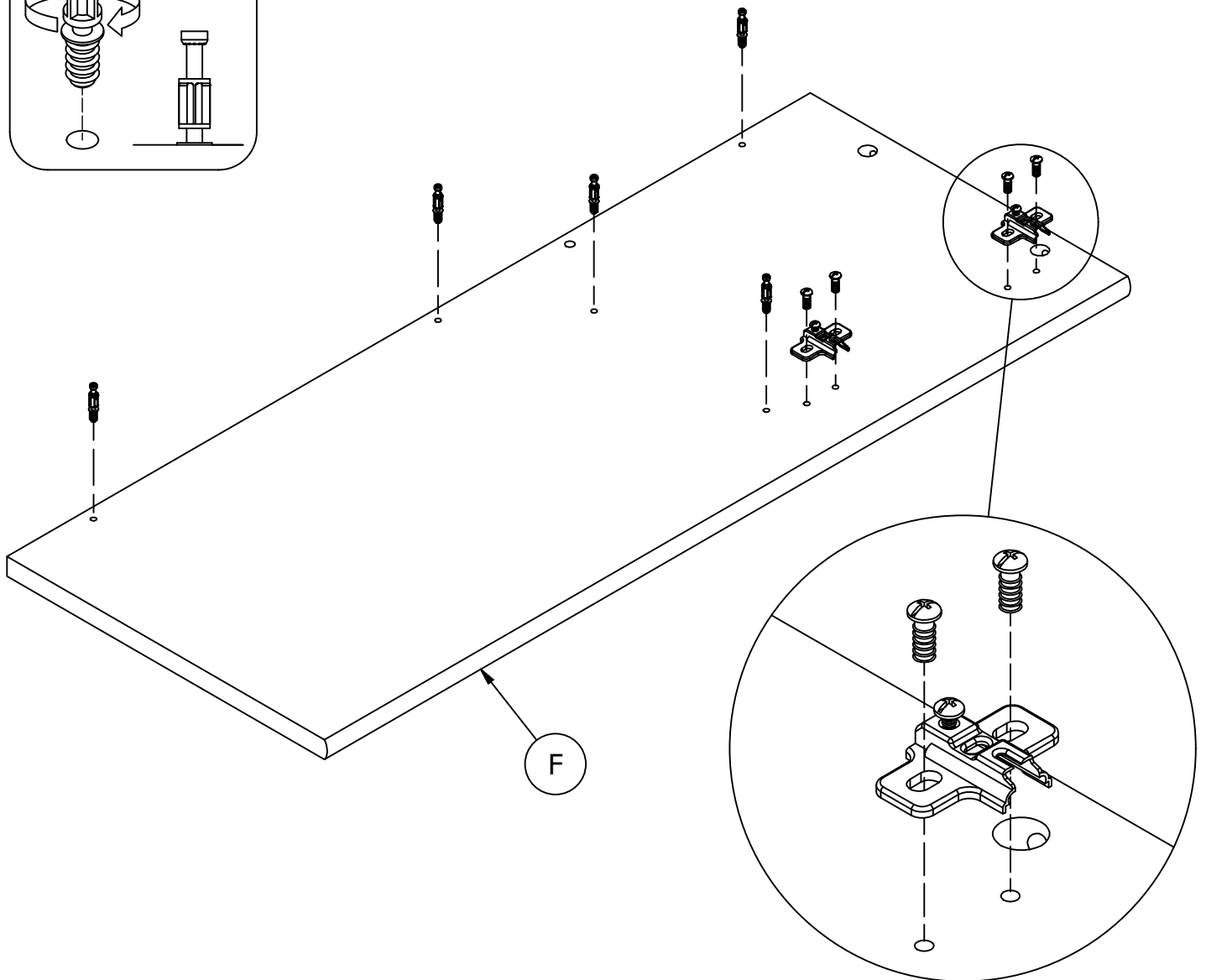
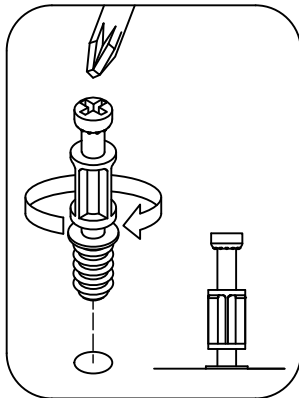
STEP 12

Prepare Panel

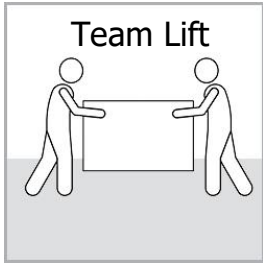
A176722I

H72988 [5]
KD Bolt

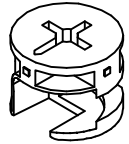
H126758 [2]
Mounting Plate



Have an assembly question or need a replacement part? Just call
1-800-950-4782, we are here to help.

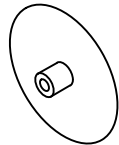


H71659



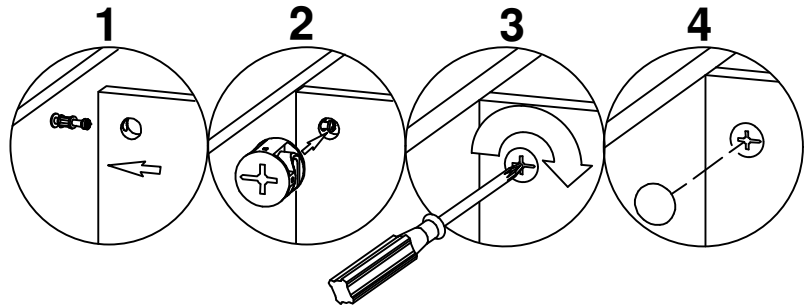
KD Cam

[2]



Cover Cap

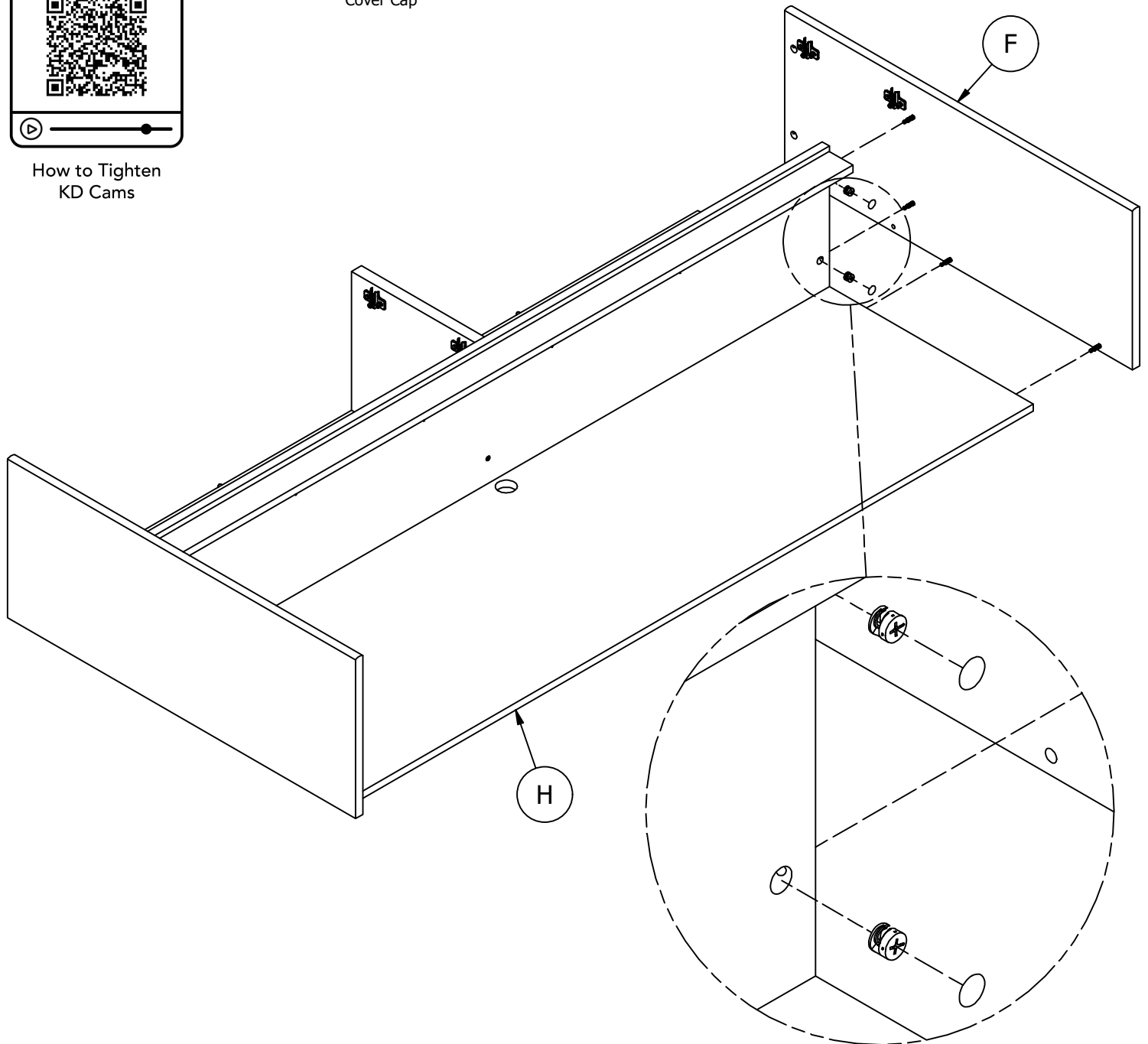
[2]



Scan QR Code to Watch Video on:

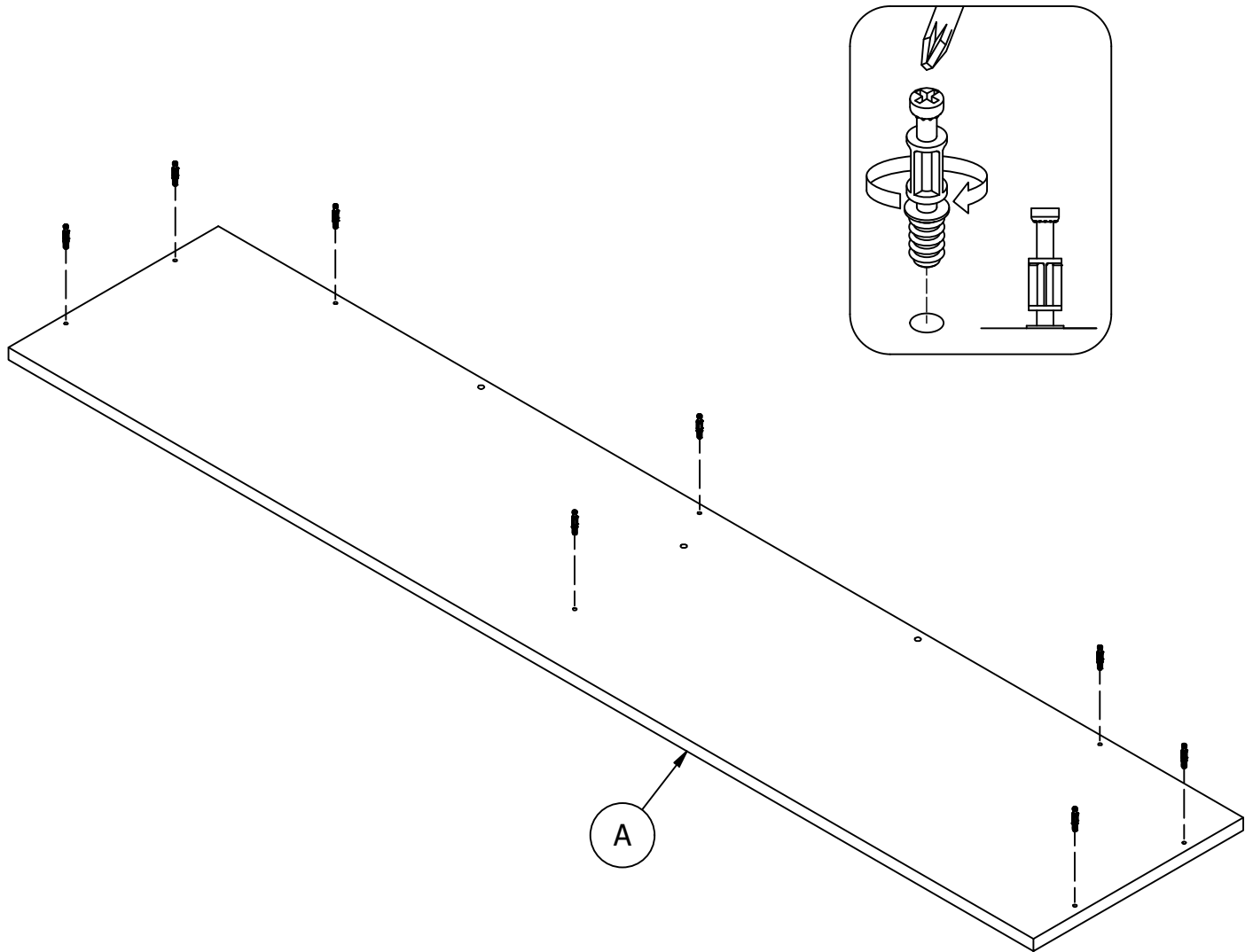


How to Tighten KD Cams



Have an assembly question or need a replacement part? Just call **1-800-950-4782**, we are here to help.

H72988 [8]
KD Bolt



Have an assembly question or need a replacement part? Just call
1-800-950-4782, we are here to help.

STEP 15

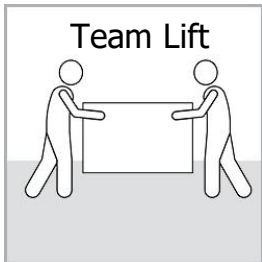
Assemble Panels

A176722I

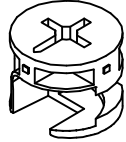
Scan QR Code to Watch Video on:



How to Tighten KD Cams

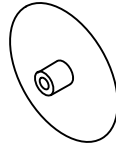


H71659



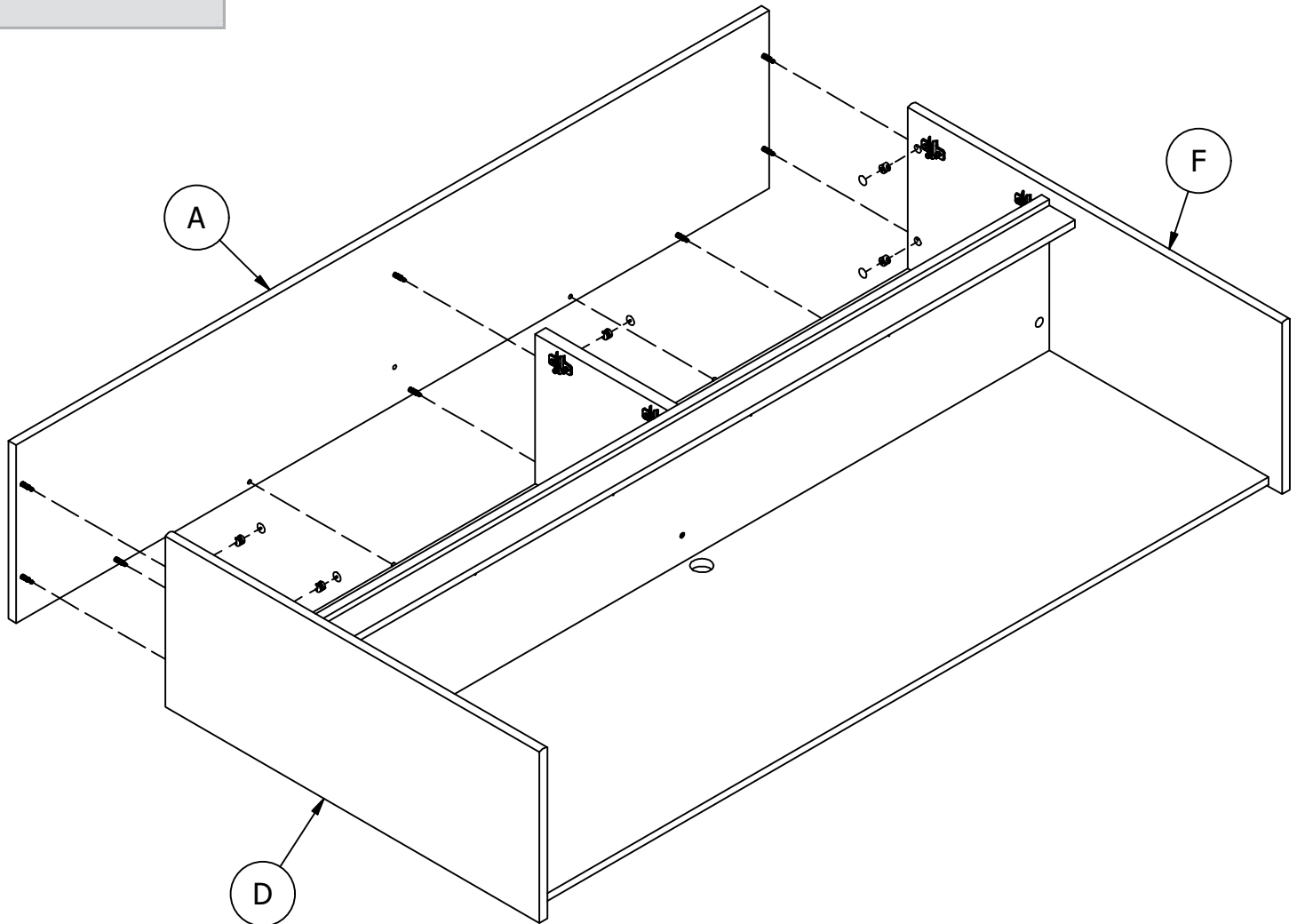
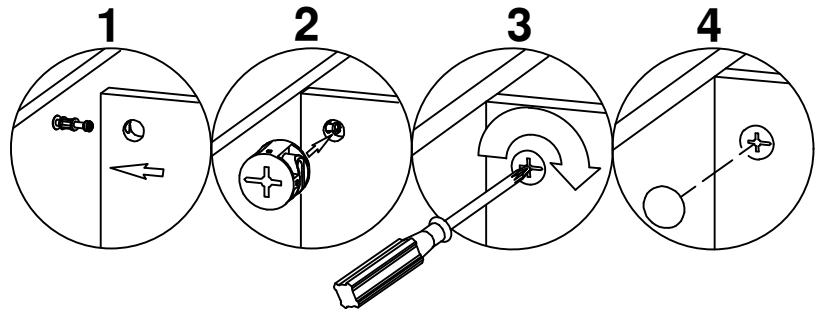
KD Cam

[5]



Cover Cap

[5]

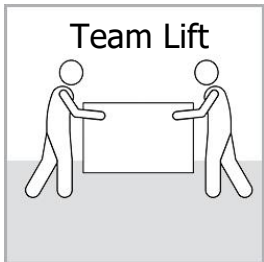


Have an assembly question or need a replacement part? Just call **1-800-950-4782**, we are here to help.

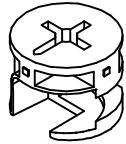
Scan QR Code to Watch Video on:



How to Tighten KD Cams

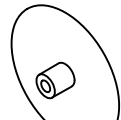


H71659



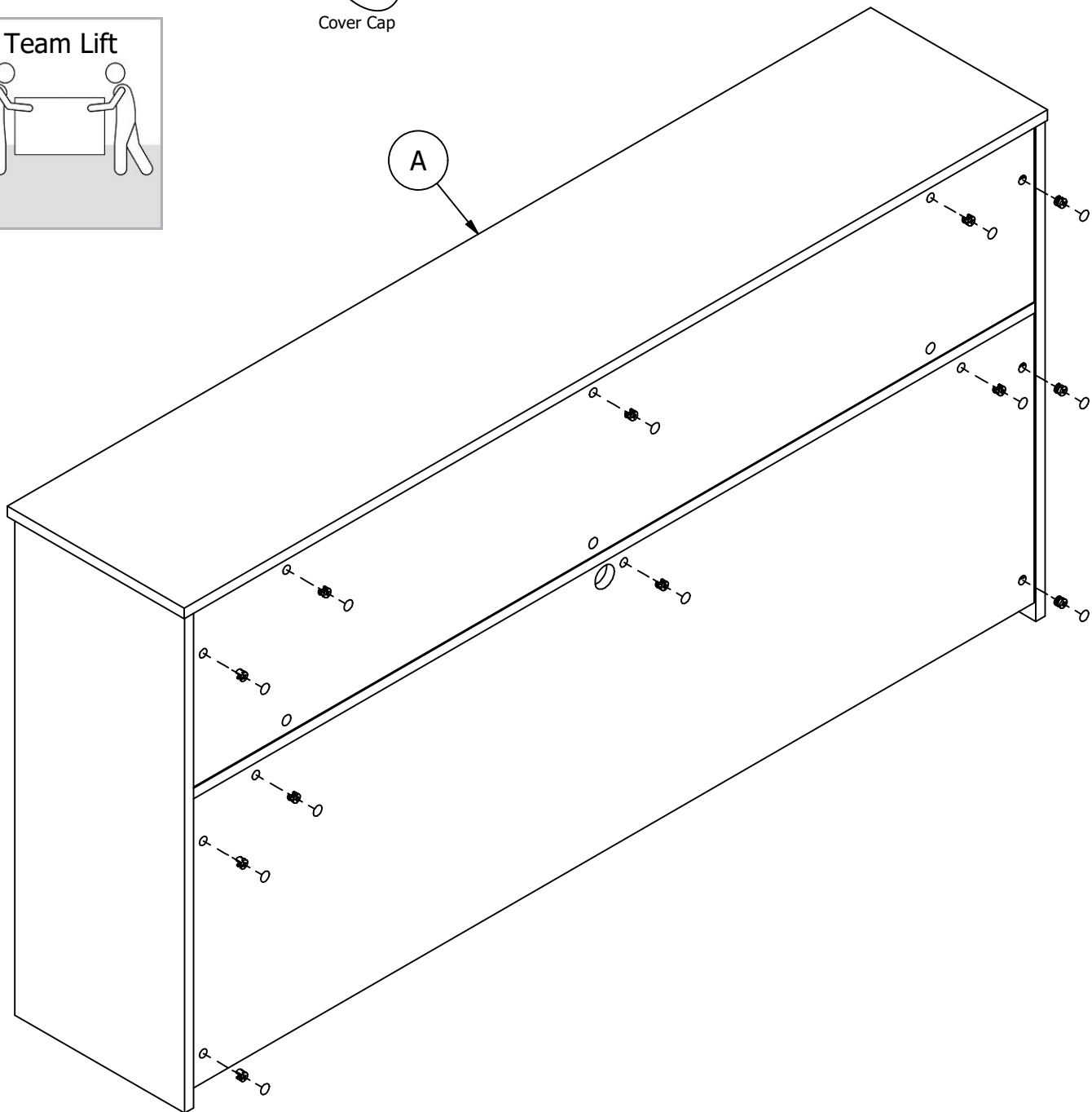
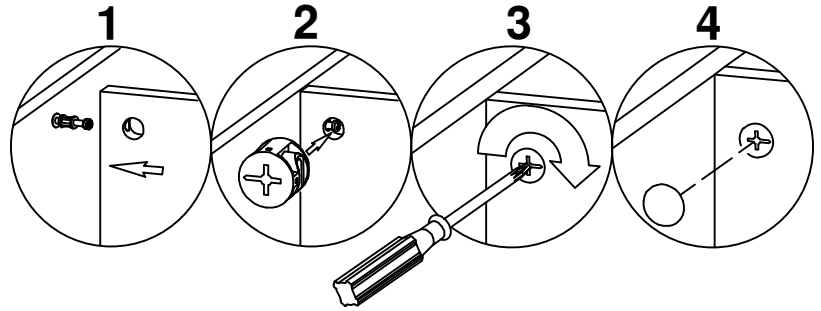
KD Cam

[12]



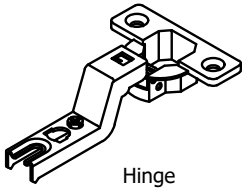
Cover Cap

[12]



Have an assembly question or need a replacement part? Just call **1-800-950-4782**, we are here to help.

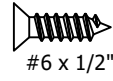
H126757



Hinge

[4]

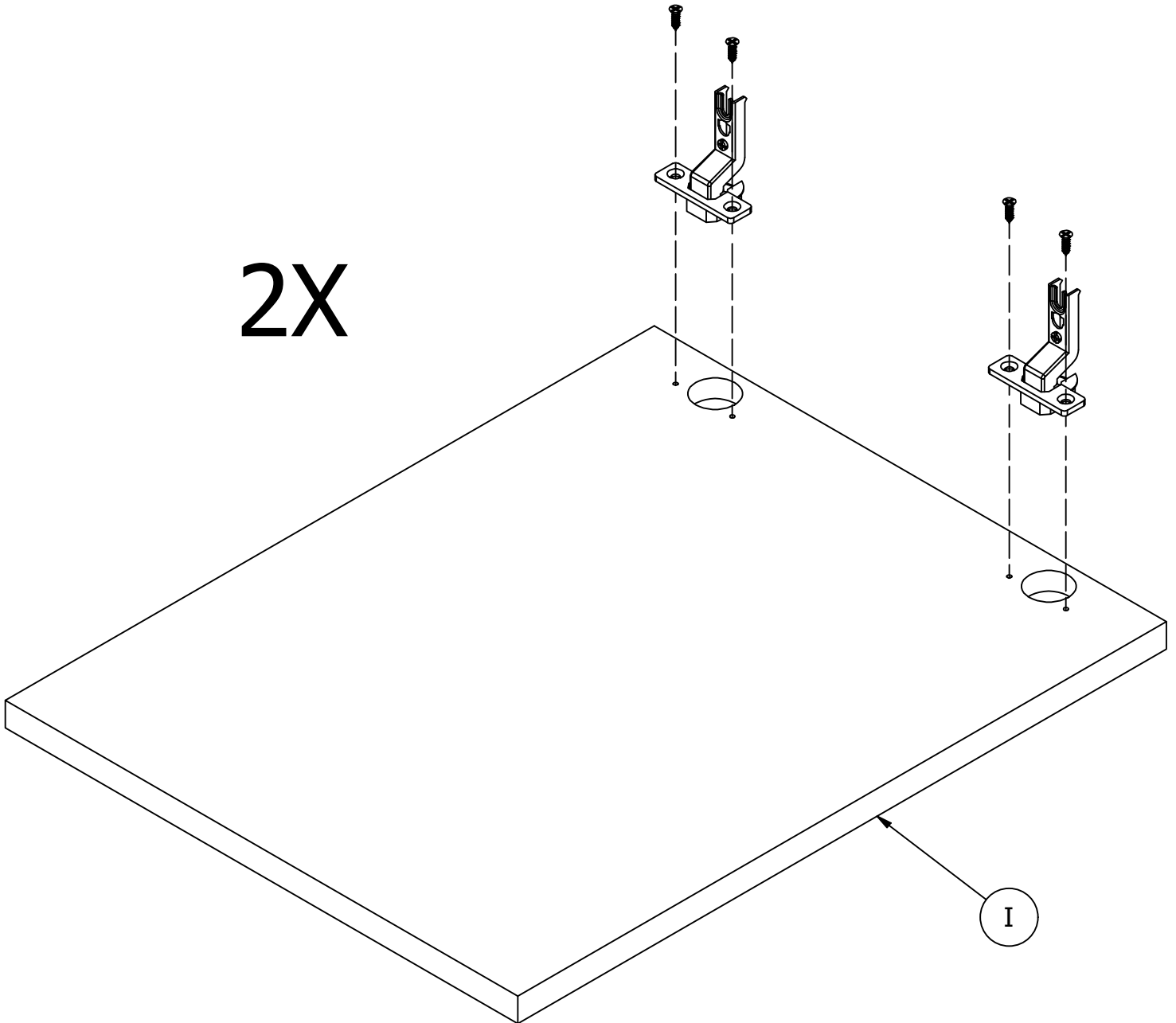
H28917



#6 x 1/2"

[8]

2X



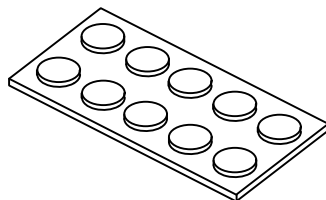
Have an assembly question or need a replacement part? Just call **1-800-950-4782**, we are here to help.

Scan QR Code to Watch Video on:

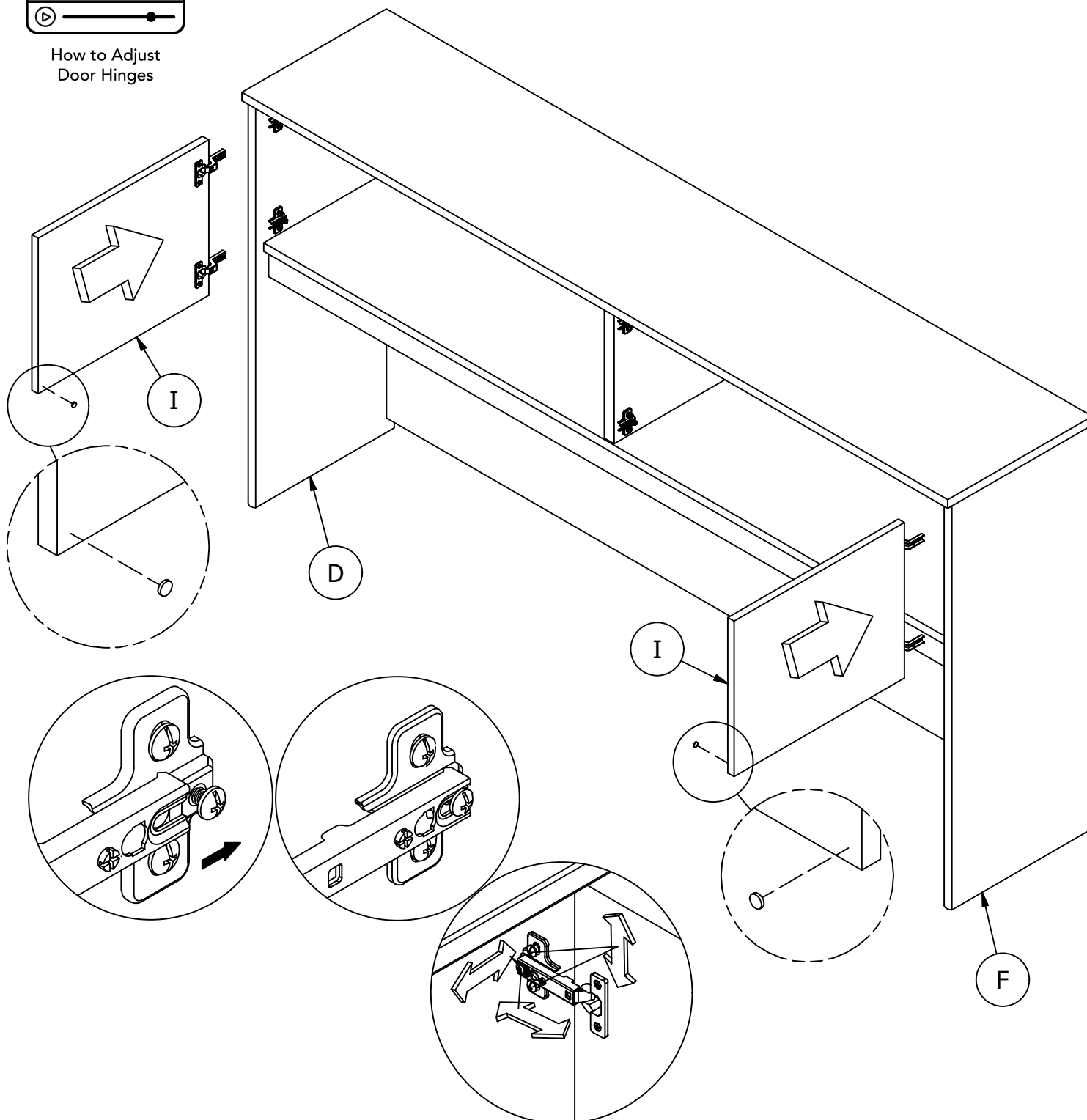


How to Adjust Door Hinges

H215406

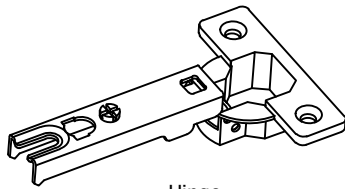


Bumper (10) per pack



Have an assembly question or need a replacement part? Just call **1-800-950-4782**, we are here to help.

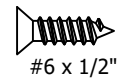
H126359



Hinge

[4]

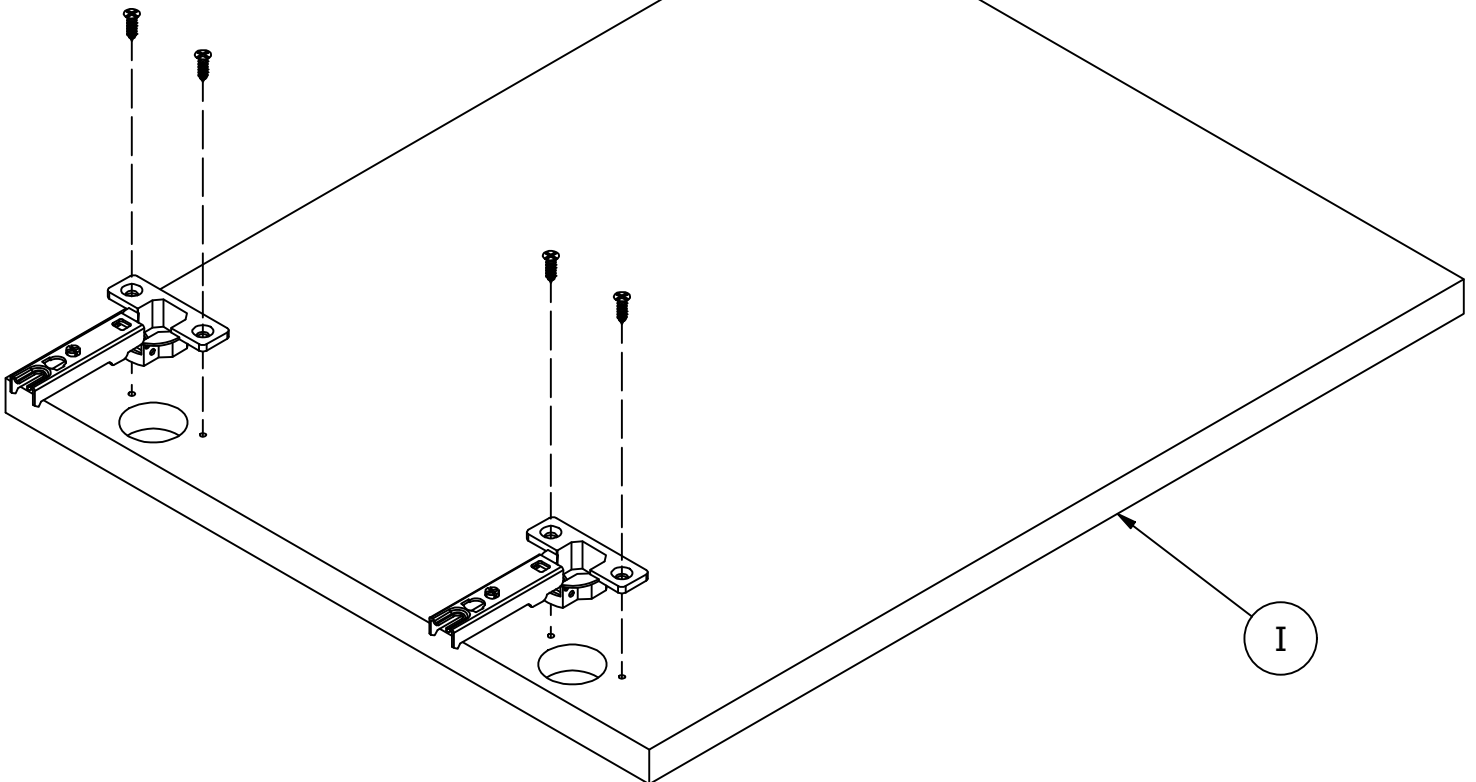
H28917



#6 x 1/2"

[8]

2X



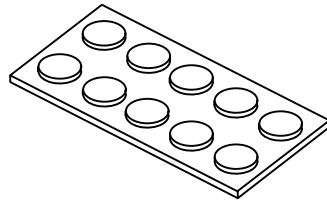
Have an assembly question or need a replacement part? Just call
1-800-950-4782, we are here to help.

Scan QR Code to Watch Video on:

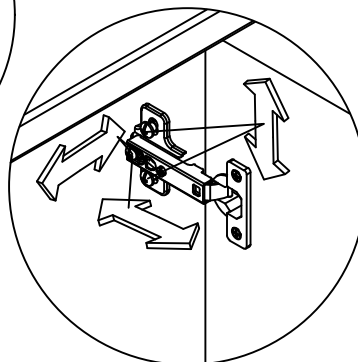
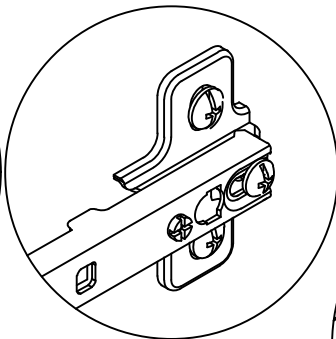
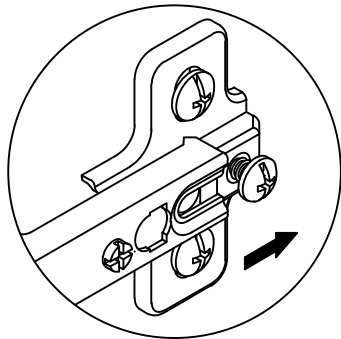
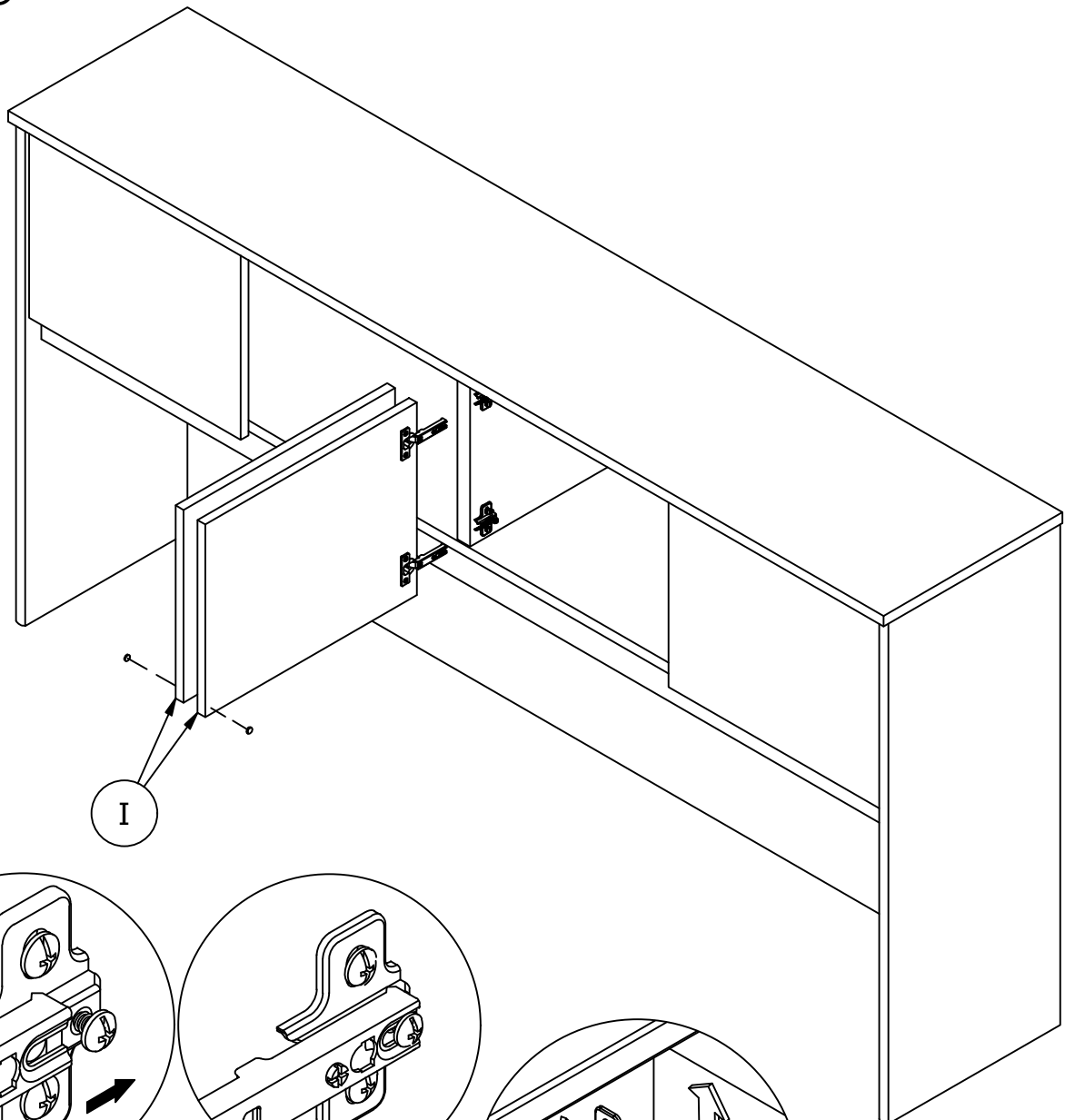


How to Adjust Door Hinges

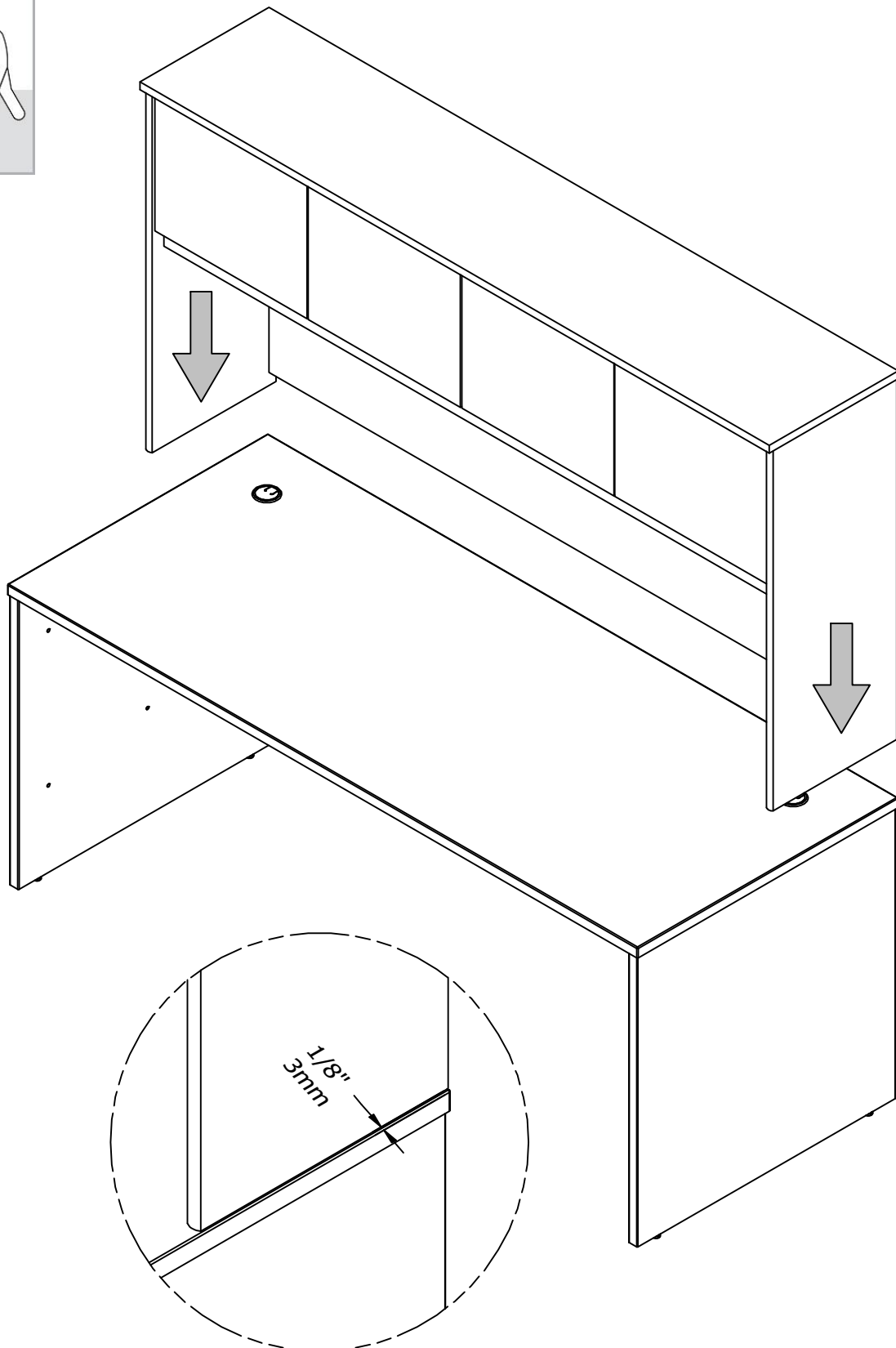
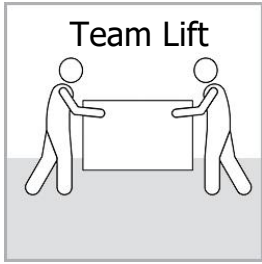
H215406



Bumper (10) per pack



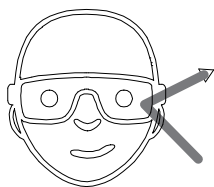
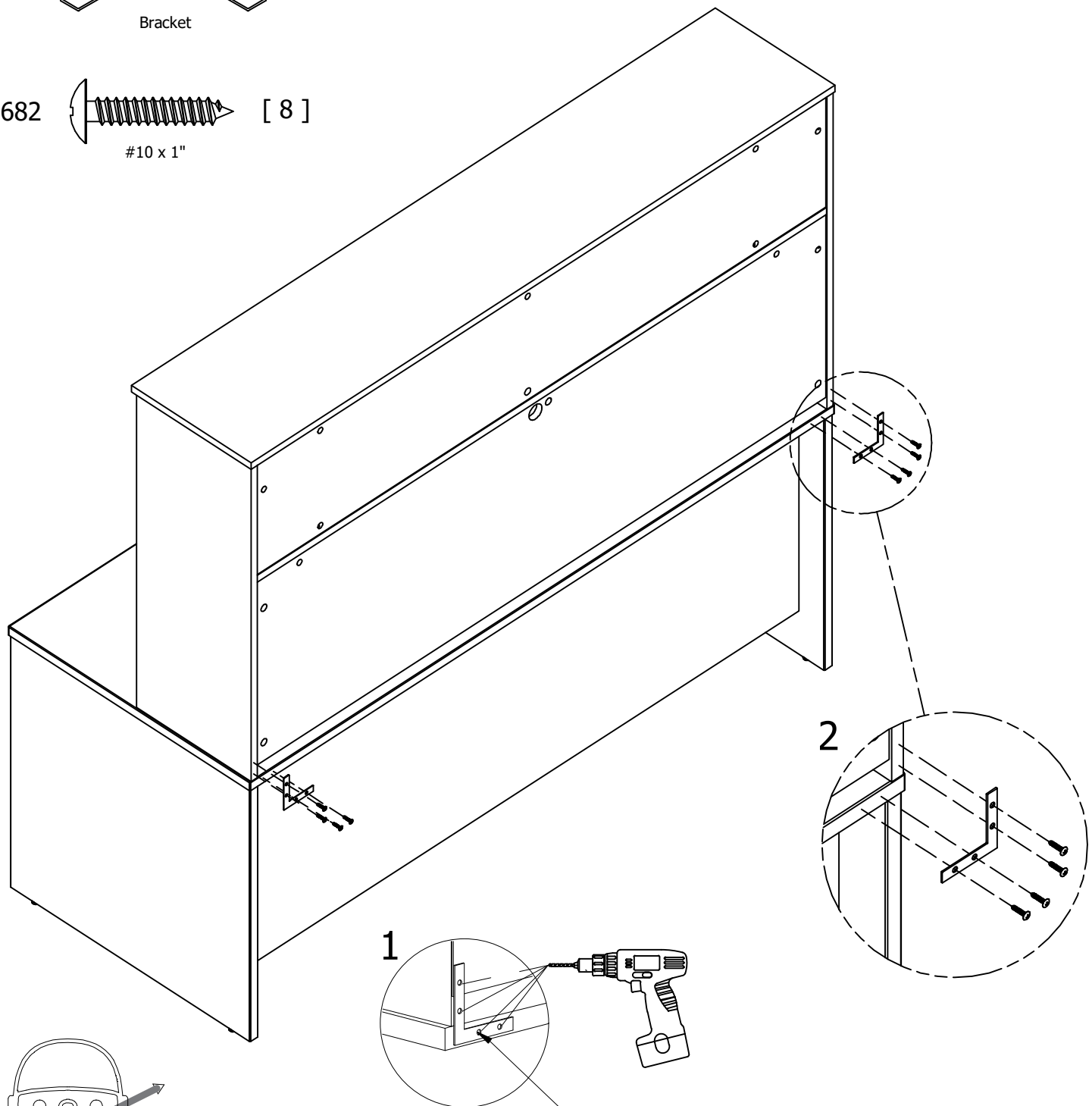
Have an assembly question or need a replacement part? Just call **1-800-950-4782**, we are here to help.



Have an assembly question or need a replacement part? Just call
1-800-950-4782, we are here to help.

H85966 [2]
Bracket

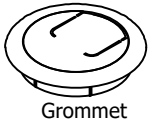
H23682 [8]
#10 x 1"



Safety glasses
Gafas de seguridad
Lunettes de protection

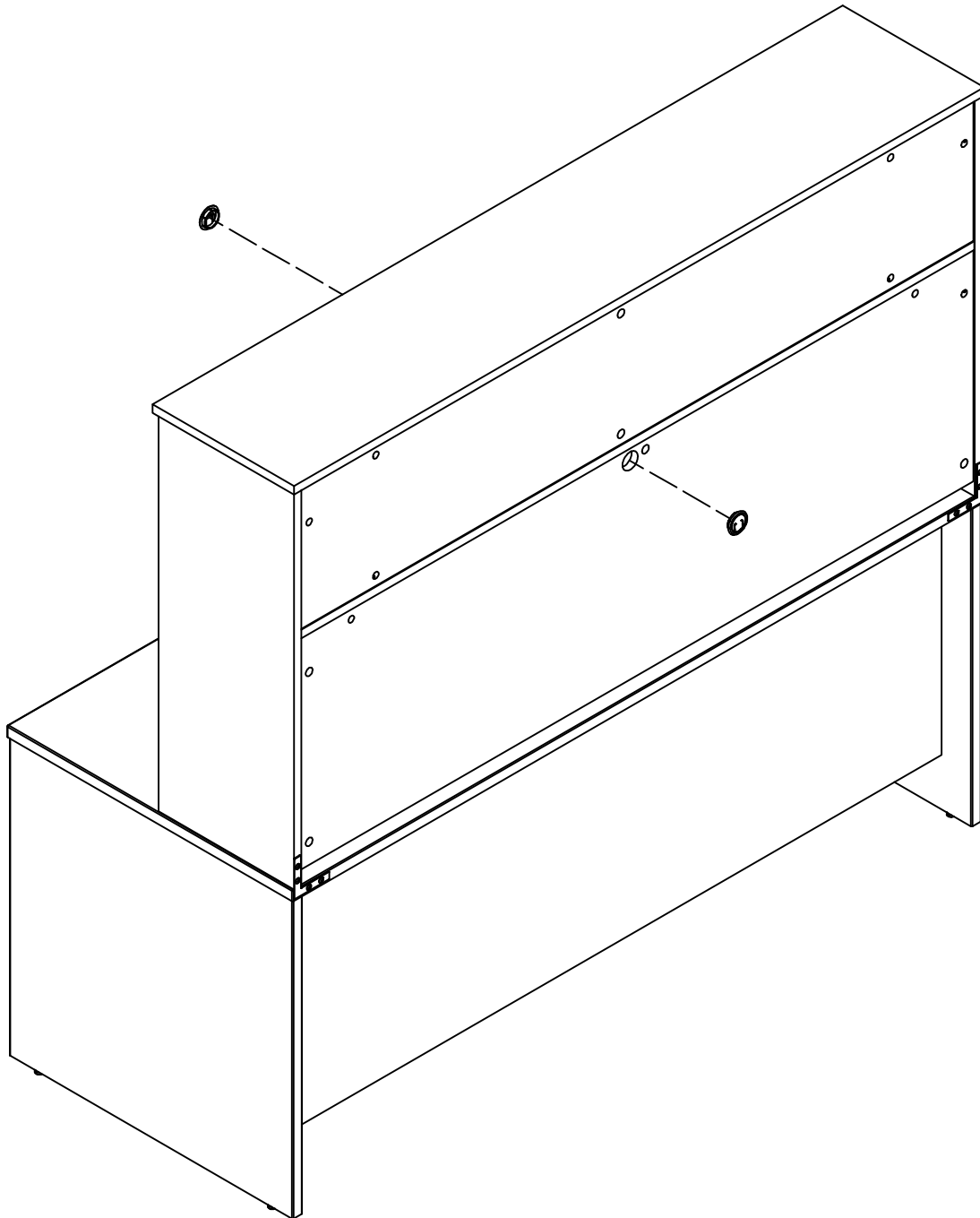
Drill (8) 1/8" holes 3/4" deep.
Perfore (8) agujeros de 3mm a 19mm de profundo.
Percer (8) trous de 3mm de diamètre et 19mm de profondeur.

Have an assembly question or need a replacement part? Just call
1-800-950-4782, we are here to help.



[2]

Grommet



Have an assembly question or need a replacement part? Just call
1-800-950-4782, we are here to help.

Secure unit to the wall with a tip-over restraint.

Unidad de seguro a la pared con un sistema de retención de un vuelco.

Fixer l'unité au mur avec un dispositif de retenue renversement.

1. Place unit in desired location.
2. Locate wall stud nearest unit center. **FIG A**
3. On wall, mark center of stud location 1" below top of unit. **FIG A**
4. If a wall stud cannot be located mark hollow wall at unit center. **FIG A**
5. On back of unit, mark corresponding location 3/8" below top of unit. **FIG B**

1. Coloque la unidad en el lugar deseado.
2. Localice pie derecho de pared centro de unidad más próxima.
3. En la pared del, marque el centro de la ubicación del montante 1 "abajo la parte superior de la unidad.
4. Si un poste de la pared no se puede localizar marcar pared hueca en el centro de la unidad.
5. En el dorso de la unidad, marque la ubicación 3/8 correspondiente abajo la parte superior de la unidad.

1. Placez l'unité à l'endroit désiré.
2. Localiser centre d'unité la plus proche de la paroi Stud.
3. Sur le mur, centre de emplacement du montant 1 "ci-dessous dessus de l'appareil de la marque.
4. Si un montant de mur ne peut pas être situé marquer mur creux au centre de l'unité.
5. Le dos de l'appareil, marquer l'emplacement 3/8 correspondant ci-dessous dessus de l'appareil.

FIG A

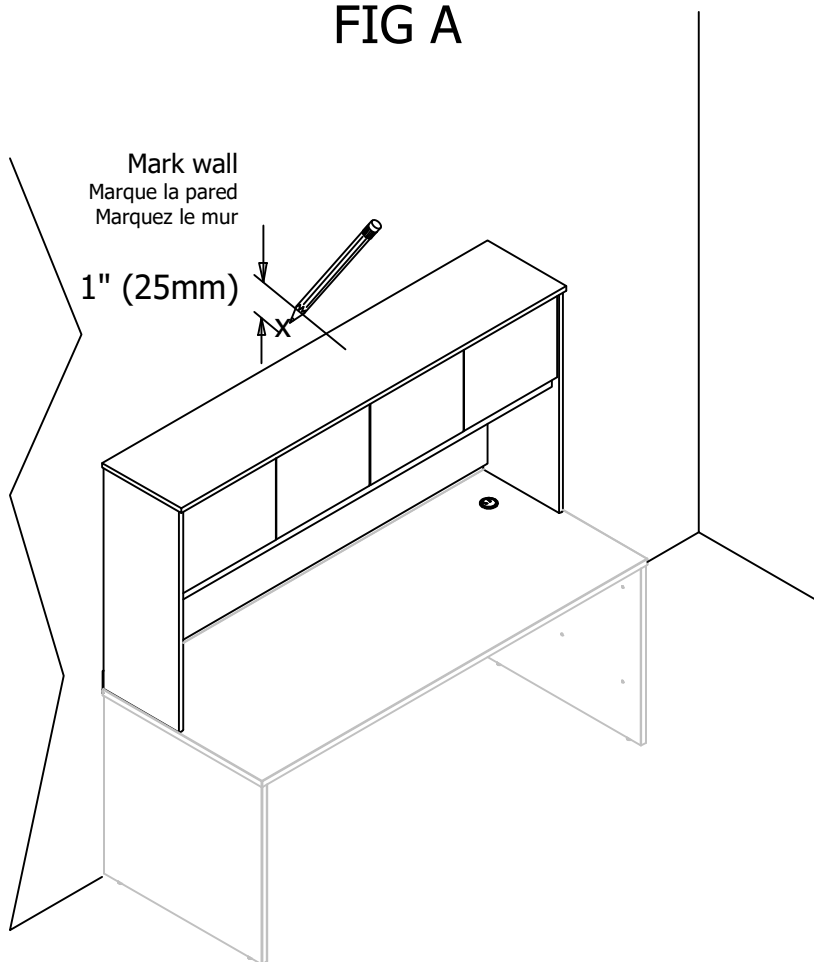
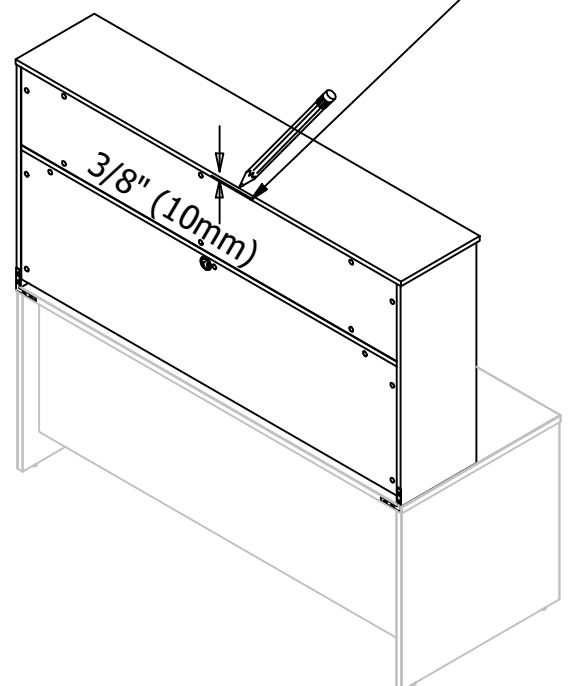


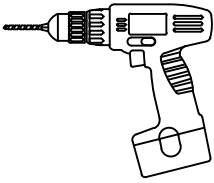
FIG B

Mark back within 6" (150mm) of center.
 Marcar de vuelta dentro de 6" (150mm) de centro
 Mark dans les 6" (150mm) de centre.

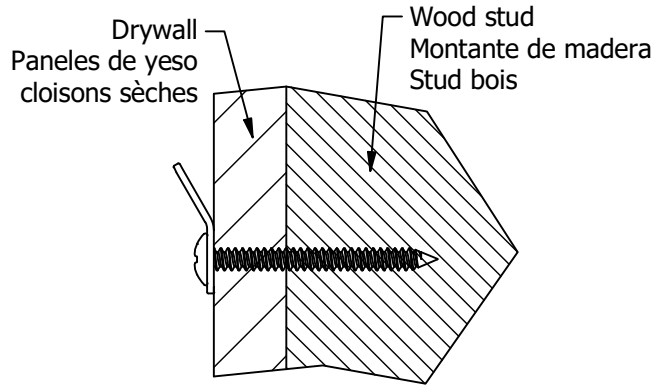
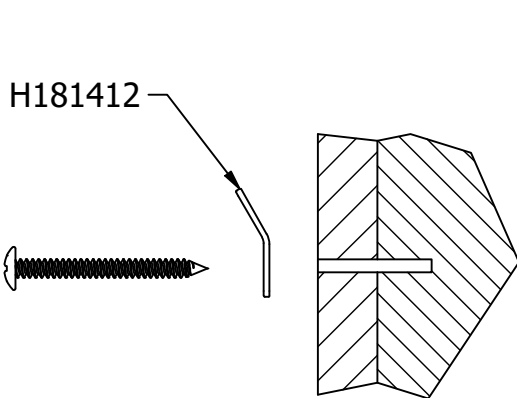
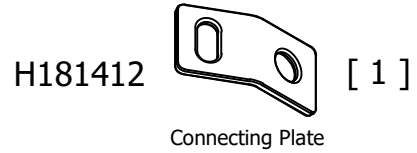
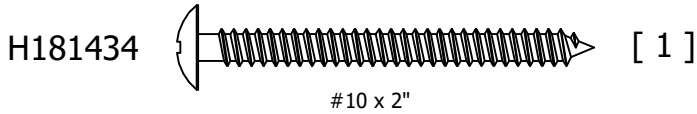


Have an assembly question or need a replacement part? Just call
1-800-950-4782, we are here to help.

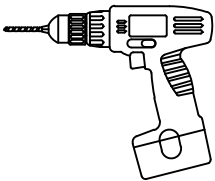
WALL STUD ATTACHMENT



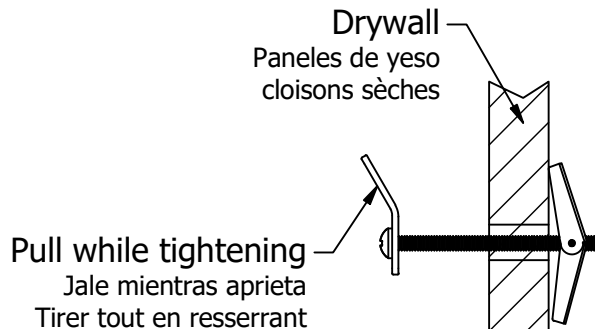
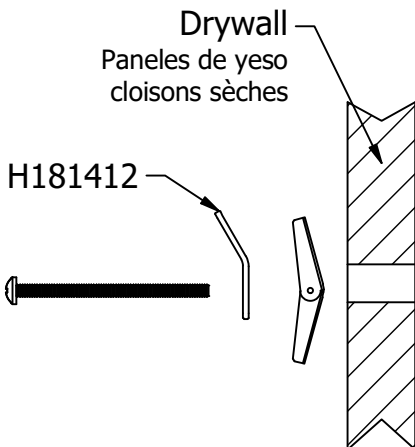
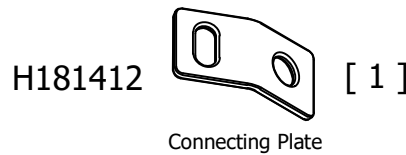
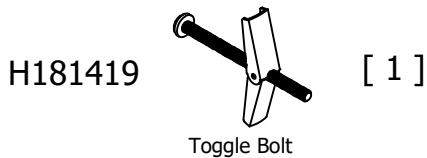
Drill 1/8" hole 2" deep at mark on wall.
 Taladro 1/8 "agujero 2" de profundidad en la marca en la pared.
 Percer 1/8 "trou de 2" de profondeur à la marque sur le mur.



HOLLOW WALL ATTACHMENT

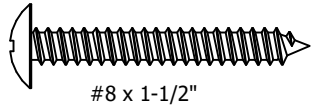


Drill 1/2" hole 1" deep at mark on wall.
 Taladro 1/2 "agujero 1" de profundidad en la marca en la pared.
 Percer 1/2 "trou de 1" de profondeur à la marque sur le mur.



Have an assembly question or need a replacement part? Just call **1-800-950-4782**, we are here to help.

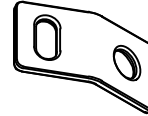
H107572



[1]

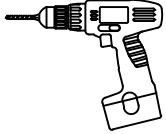
#8 x 1-1/2"

H181412

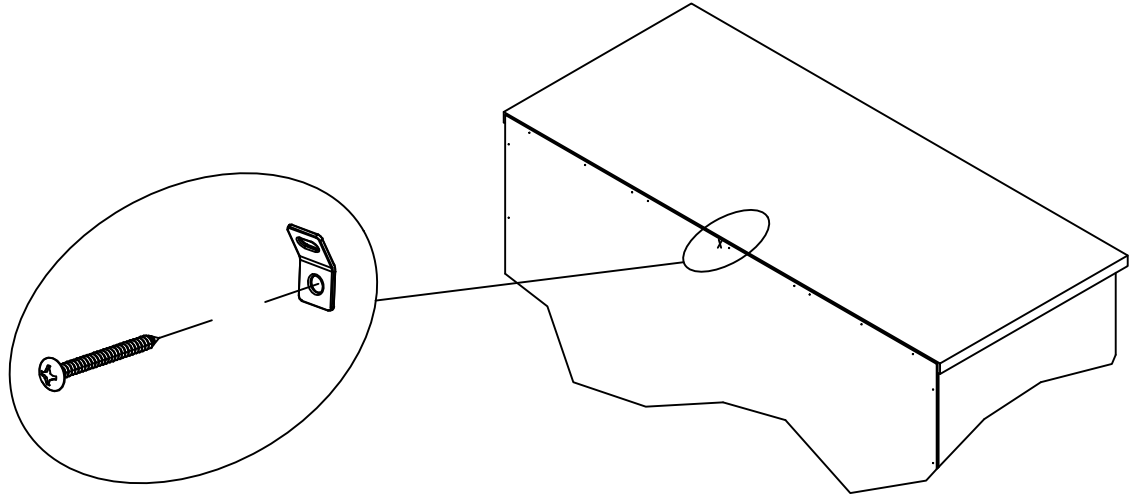


[1]

Connecting Plate



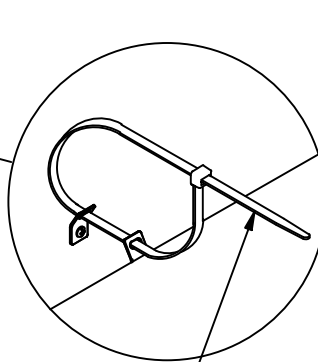
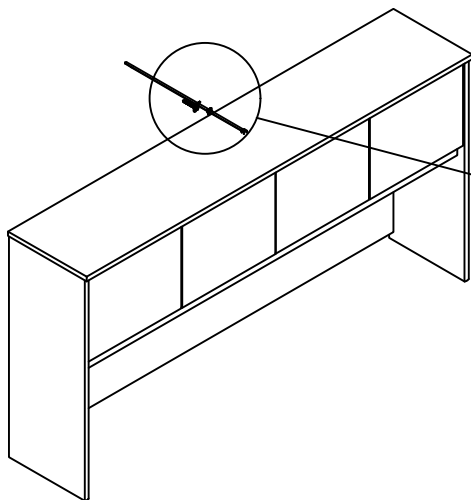
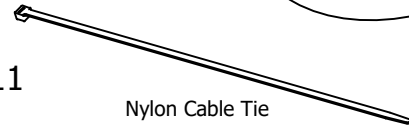
Drill 1/8" hole 1" deep at mark on unit.
 Taladro 1/8 "agujero de 1" de profundidad en la marca de la unidad.
 Percer 1/8 "trou 1" de profondeur à la marque sur l'unité.



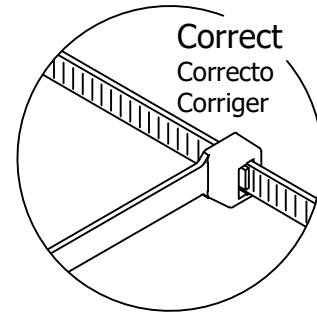
H181411

Nylon Cable Tie

[1]



Pull to verify lock
 Tire para verificar cerradura
 Tirez pour vérifier serrure



Correct
 Correcto
 Corriger

Use replacement cable tie with minimum breaking strength of 120lbs.
 Utilice reemplazo empate Cable con resistencia a la rotura mínima de 120 libras.
 Utilisez remplacement Attache de câble avec une force de rupture minimale de 120 lbs.

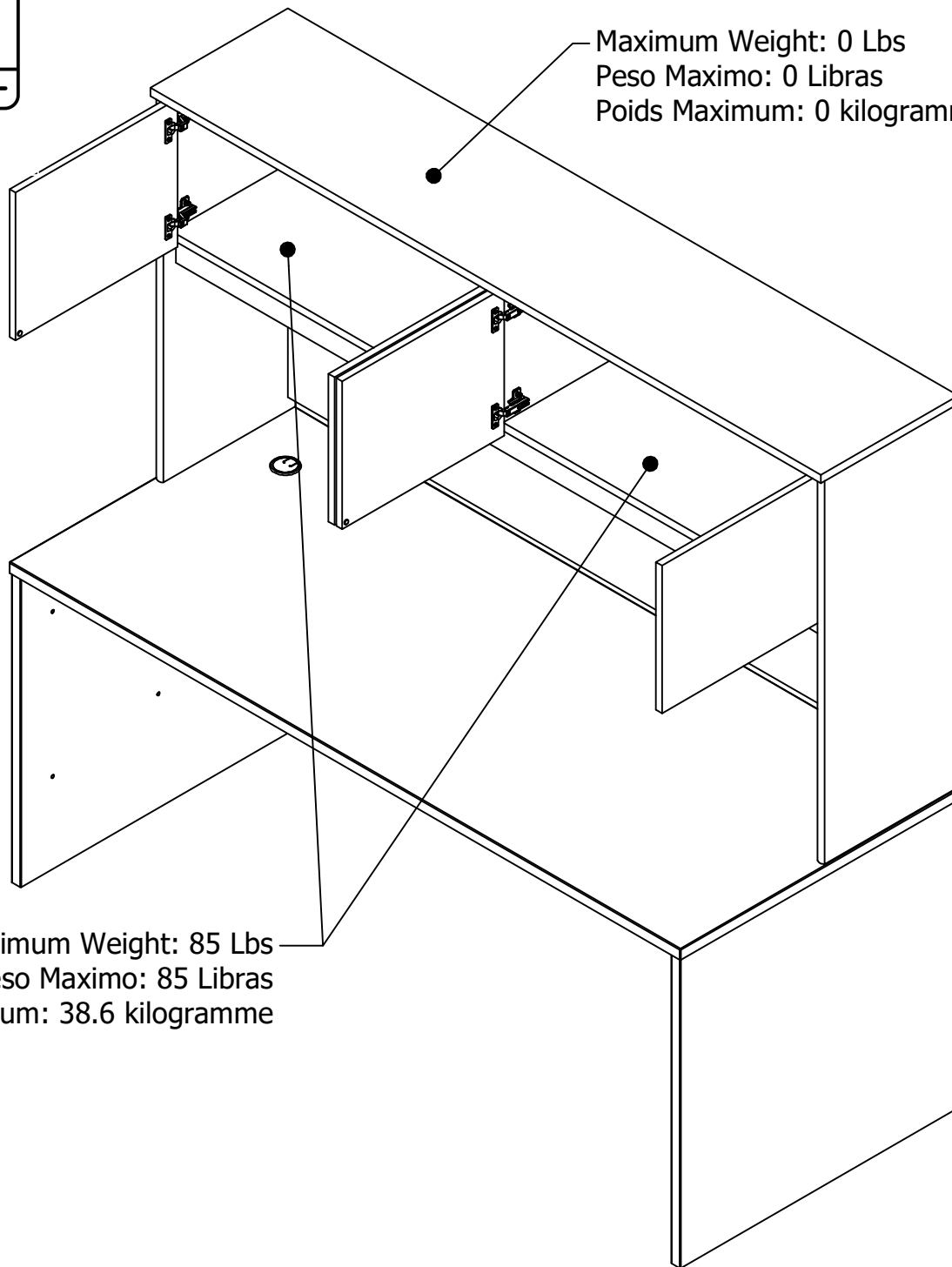
Have an assembly question or need a replacement part? Just call
1-800-950-4782, we are here to help.

Scan QR Code to Watch Video on:



How to Clean the Surface

Gently clean surfaces with a damp sponge eraser.



Maximum Weight: 0 Lbs
Peso Maximo: 0 Libras
Poids Maximum: 0 kilogramme

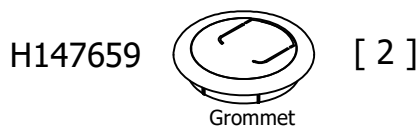
Maximum Weight: 85 Lbs
Peso Maximo: 85 Libras
Poids Maximum: 38.6 kilogramme

Congratulations! You are all done. If you have any questions or concerns, please call.

Have an assembly question or need a replacement part? Just call **1-800-950-4782**, we are here to help.

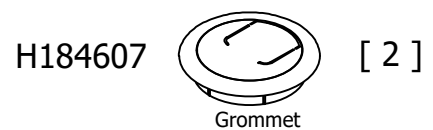
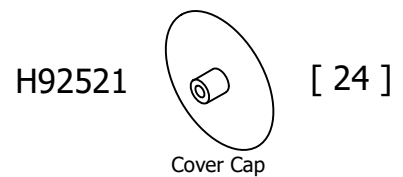
SCH172BW

- A [1] W205530
- B [1] W205531
- C [1] W205532
- D [1] W205533
- E [1] W205534
- F [1] W205535
- G [1] W205536
- H [1] W205538
- I [4] W205537



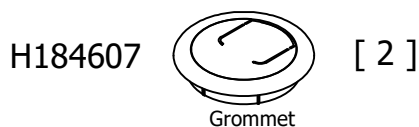
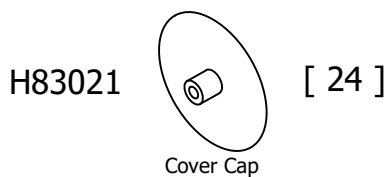
SCH172SG

- A [1] W189322
- B [1] W189323
- C [1] W189324
- D [1] W189325
- E [1] W189326
- F [1] W189327
- G [1] W189328
- H [1] W192265
- I [4] W189330



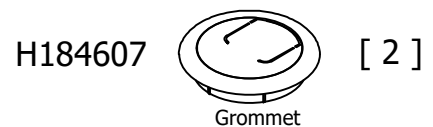
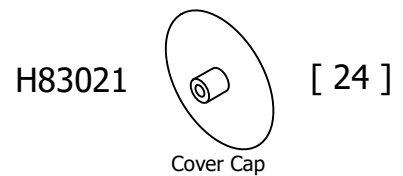
SCH172PG

- A [1] W191658
- B [1] W191659
- C [1] W191660
- D [1] W191661
- E [1] W191662
- F [1] W191663
- G [1] W191664
- H [1] W191665
- I [4] W191666



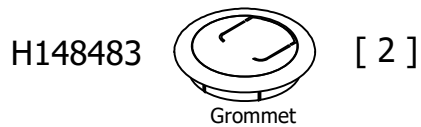
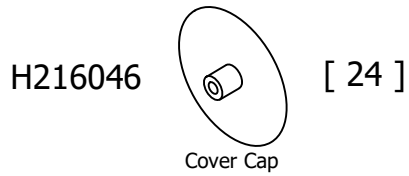
SCH172MH

- A [1] W205539
- B [1] W205540
- C [1] W205541
- D [1] W205542
- E [1] W205543
- F [1] W205544
- G [1] W205545
- H [1] W205547
- I [4] W205546



SCH172NE

- A [1] W216005
- B [1] W216006
- C [1] W216007
- D [1] W216008
- E [1] W216009
- F [1] W216010
- G [1] W216011
- H [1] W216012
- I [4] W216013



SCH172WH

- A [1] W191857
- B [1] W191858
- C [1] W191859
- D [1] W191860
- E [1] W191861
- F [1] W191862
- G [1] W191863
- H [1] W191864
- I [4] W191865

