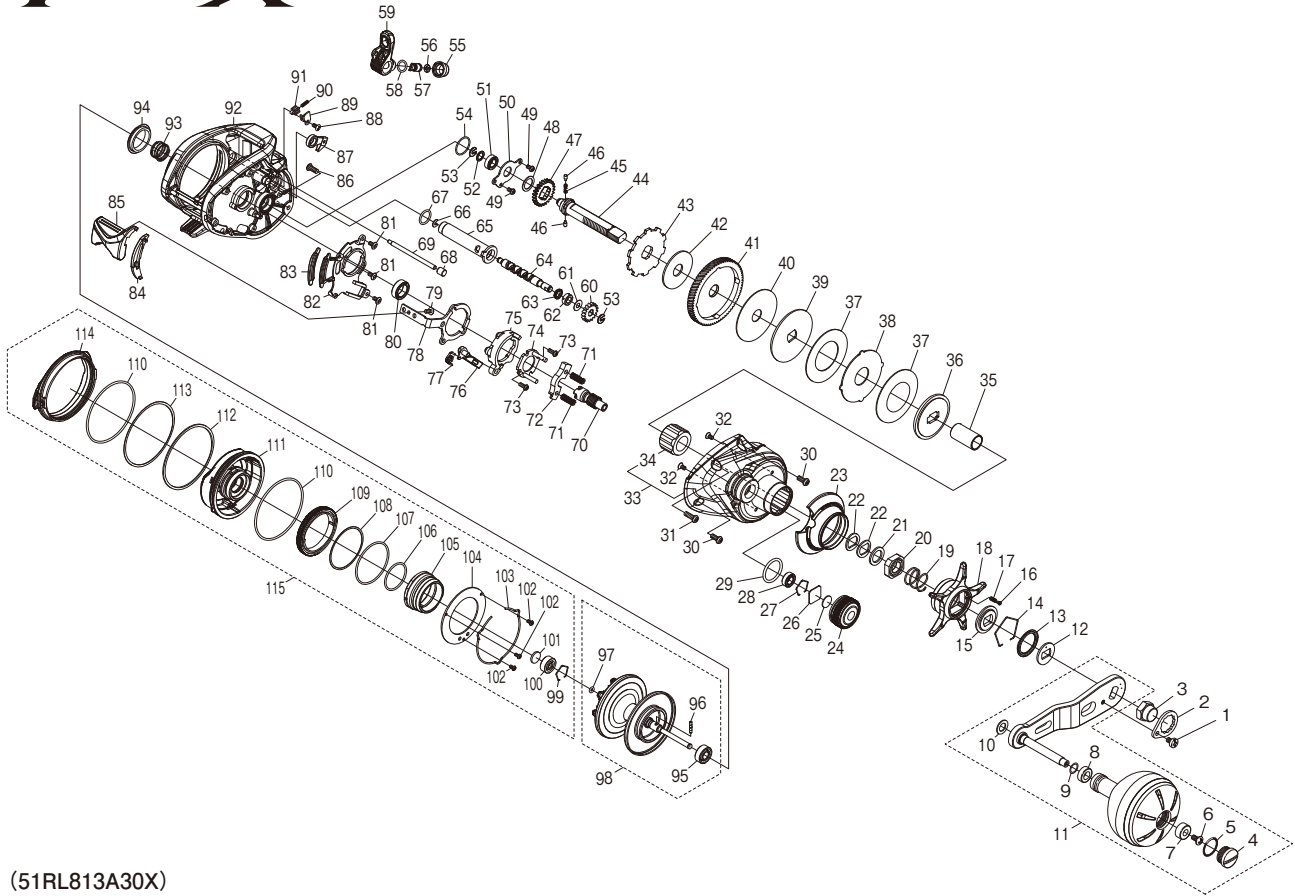


# SHIMANO

## TRAX

## TRX300HGB



(51RL813A30X)

#	Part No.	BNT No.	Description	#	Part No.	BNT No.	Description	#	Part No.	BNT No.	Description
1	13NXD		Screw	40	1024D	5487	Drag Washer	79	10LCL	5511	Screw
2	13VAD		Handle Nut Plate	41	145S3		Drive Gear	80	105BT	5858	Ball Bearing
3	10FT1	2680	Handle Nut	42	1025A	5492	Drag Washer	81	10SUT	6711	Screw
4	13AYU		Handle Knob Seal	43	145SG		Anti-Reverse Ratchet	82	10251	5512	Clutch Guard
5	10LAB	5717	O Ring	44	145S5		Drive Shaft	83	101J8	5514	Clutch Button Seal
6	103E9	4116	Screw	45	10JDZ	5027	Idle Gear Spring	84	145SQ		Clutch Bar Guide
7	10EU0	5718	Bushing	46	10HJG	5310	Idle Gear Pin	85	101J4	5516	Clutch Lever
8	104UJ	5719	Bushing	47	10J47	4872	Idle Gear	86	10U0T	6712	Screw
9	104FH	6555	Washer	48	10G6D	5715	Washer	87	10MW2	3705	Anti-Reverse Pawl
10	148SL		Washer	49	10S3Y	5756	Screw	88	10LCT	5609	Screw
11	147HX		Handle Assembly	50	145S6		Drive Shaft Retainer	89	101J7	5517	Retention Spring Retainer
12	10QVN	5475	Drive Shaft Shield	51	105BP	4194	Ball Bearing	90	101J6	5518	Clutch Retention Spring
13	10QVP	5532	Star Drag Seal	52	10C47	2144	Washer	91	10TZC	5519	Clutch Retention Pin
14	10KXW	5314	Click Plate Retainer	53	105NK	7199	E Lock	92	148SA		Frame Assembly
15	10J26	5860	Star Drag Click Plate	54	10LAB	4981	O Ring	93	10EZE	5211	Bearing Pressure Spring
16	10MFC	5316	Click Pin	55	10FJB	4874	Pawl Cap	94	1024L	5521	Frame Center Seal
17	10BT2	2123	Click Spring	56	10CFU	6701	Spacer	95	105CA	5765	Ball Bearing
18	147HY		Star Drag	57	10BHQ	5383	Line Guide Pawl	96	10MD1	5766	Spool Clutch Pin
19	10A70	4124	Star Drag Spring	58	108WQ	4729	O Ring	97	10EZ7	5218	O Ring
20	10A3X	7372	Star Drag Nut	59	10R7V	5497	Line Guide Assembly	98	148SK		Spool Assembly
21	10J1P	6450	Star Drag Spacer	60	1024Q	5499	Idle Gear	99	1054D	5319	Bearing Retainer
22	109F5	5376	Drag Spring Washer	61	10FJZ	4588	Washer	100	105C2	5523	Ball Bearing
23	145RX		Clutch Button Attachment	62	10PXZ	5334	Bushing	101	10EX5	5346	Spacer
24	147HZ		Cast Control Cap	63	1024R	5500	Worm Shaft Seal	102	10E7R	6160	Screw
25	10896	1696	Cast Control Spacer	64	146AP		Worm Shaft	103	145S0		Cam Lever Retainer
26	148DJ		Cast Control Spacer	65	145SF		Level Wind Guard	104	147J3		Brake Dial Retainer Plate
27	148DK		Retainer	66	105NC	1672	E Lock	105	148DF		Brake Ring Gear Assembly
28	105BR	4945	Ball Bearing	67	101GT	5503	O Ring	106	146GJ		O Ring
29	108WK	2429	O Ring	68	14694		Stabilizer Bar Retainer	107	10MLU		O Ring
30	10LZB		Screw	69	145S1		Stabilizer Bar	108	146HL		Washer
31	148SS		Screw	70	145S2		Pinion Gear	109	145SU		Brake Dial
32	10LA3	6714	Screw	71	104BC	5201	Yoke Spring	110	145SP		O Ring
33	148S9		A Side Plate Assembly	72	1046X	4964	Yoke	111	148SB		Dial Case Assembly
34	10F37	4447	Roller Clutch Bearing	73	10LVJ	5505	Screw	112	146HN		Washer
35	145RZ		Roller Clutch Inner Tube	74	10QVM	5506	Clutch Cam Retainer	113	146HP		Washer
36	145SX		Key Washer	75	10254	5507	Clutch Cam	114	147J7		B Side Plate Cam Lever
37	145S8		Drag Washer	76	101J2	5508	Clutch Pawl	115	148SC		B Side Plate Assembly
38	145SH		Eared Washer	77	101J3	5509	Clutch Pawl Spring				
39	145SW		Key Washer	78	101J9	5510	Clutch Plate				

Please note that the number of adjusting washers may not be the same as shown in the exploded views.  
(Adjustment will vary with each individual product.)

(240710)\_003