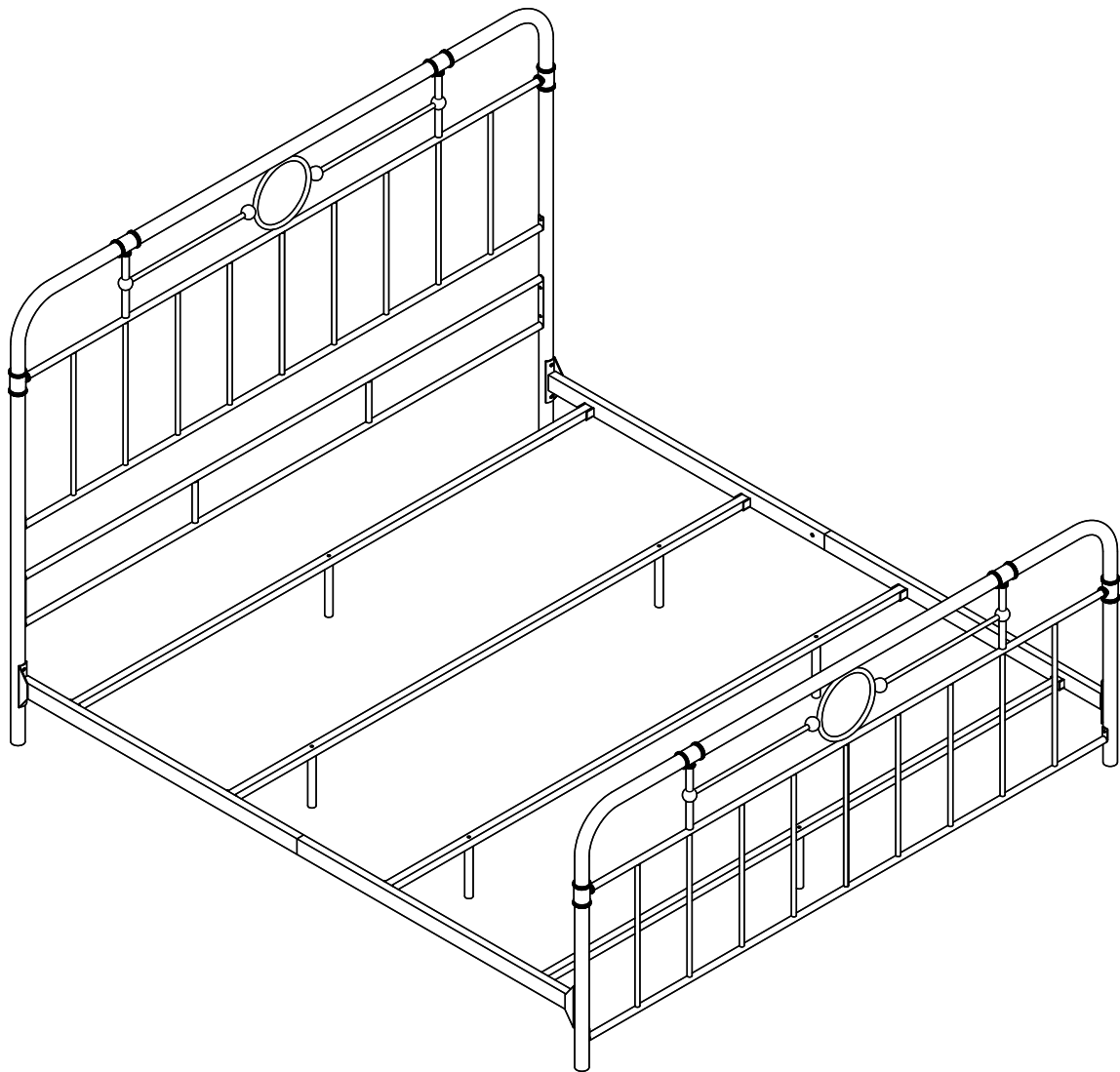


Item # : BKMP

Assembly Instructions



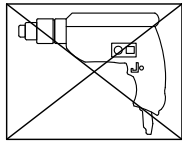
Walker Edison®

Please visit our website for the most current instructions, assembly tips, report damage,
or request parts. www.walkerediton.com

Revised 21/02/2019(L)

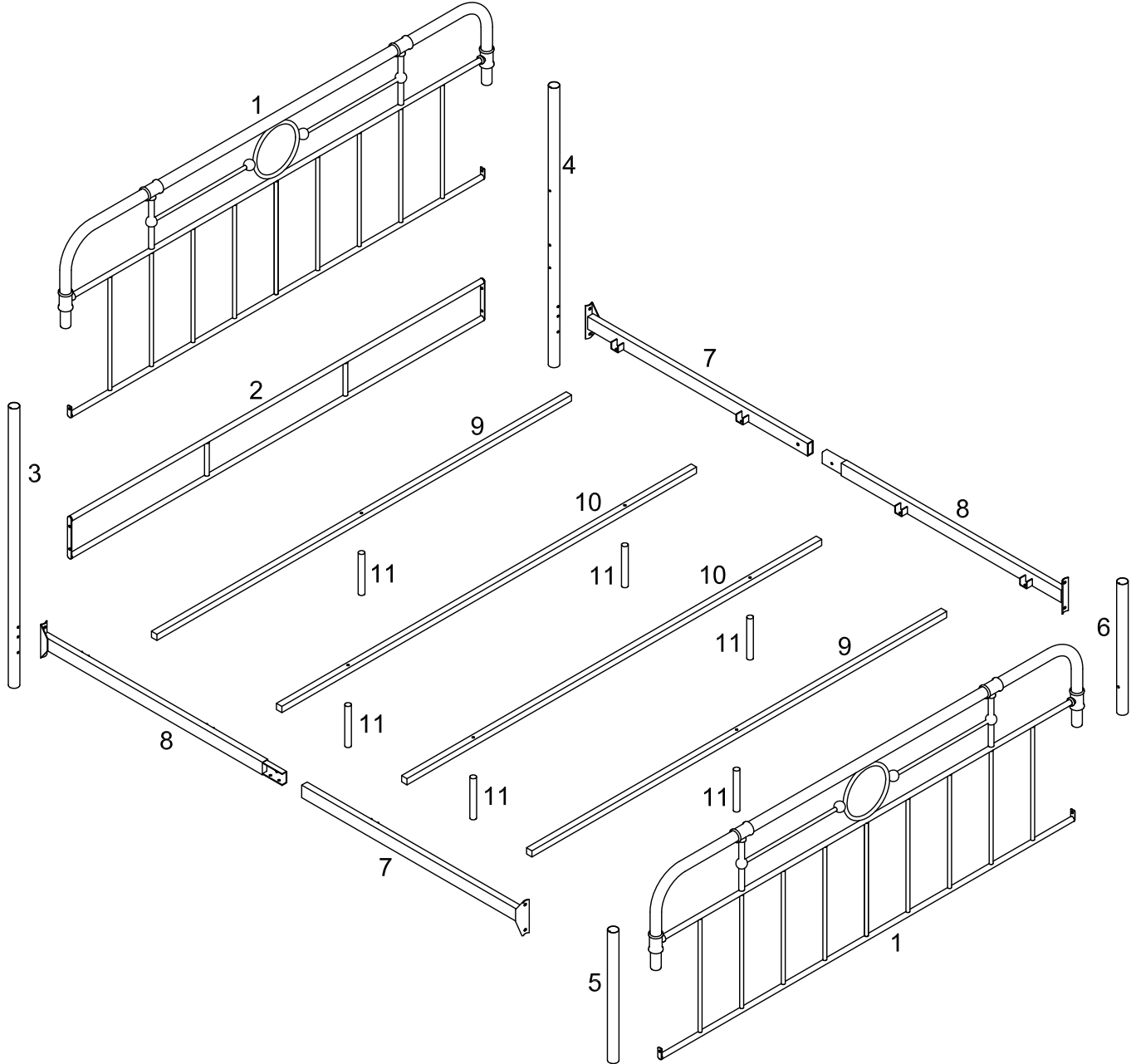
General Assembly Guidelines

- I. Ensure that all parts and hardware are available before beginning assembly.
- II. Follow each step carefully to ensure the proper assembly of this product.
- III. Two people are recommended for ease in the assembly of this product.
- IV. The main type of hardware used to assemble this product are: bolts and screws.
- V. Power tools should not be used to assemble this product.











- VI. Drill may be needed for securing product to wall.

Parts List

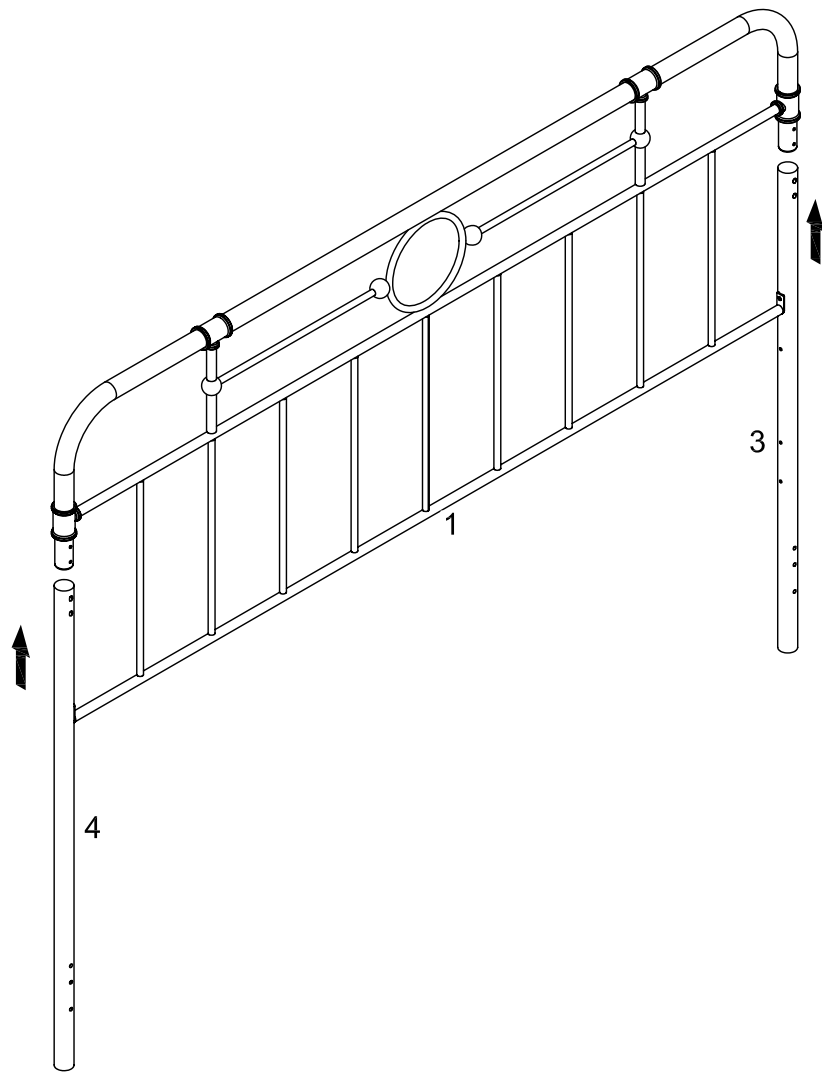


Hardware List

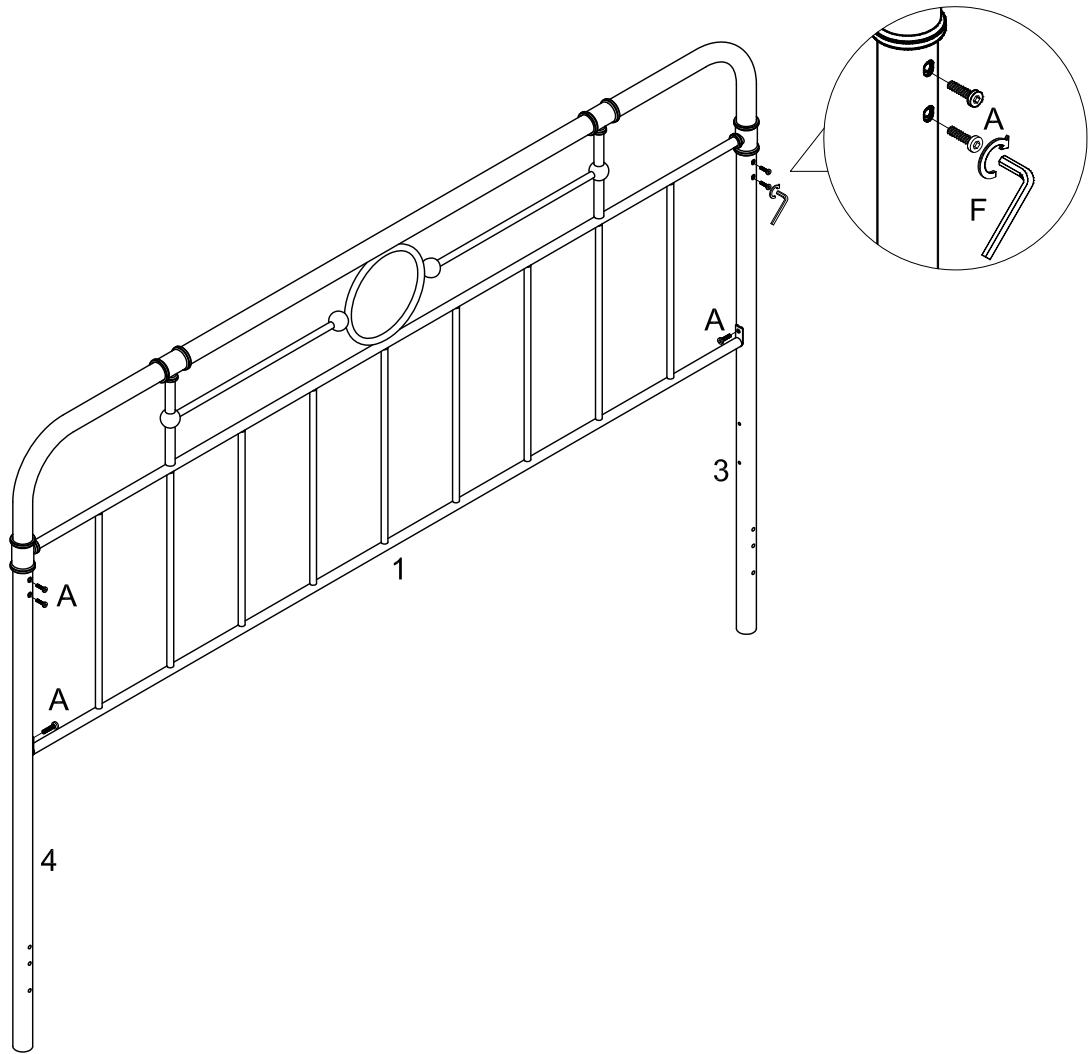
A		Ø1/4"X1/2"	Bolt	16 pcs
B		Ø1/4"X3/4"	Bolt	18 pcs
C		Ø1/4"X1-3/4"	Bolt	6 pcs
D		Ø1/4"X2-1/4"	Bolt	4 pcs
E		5/8"	Washer	28 pcs
F		1/8"	Hex Key	1 pc
G			Nut	4 pcs
H			Wrench	1 pc

*The hardware quantities listed above are required for proper assembly.
Some extra hardware may also have been included.*

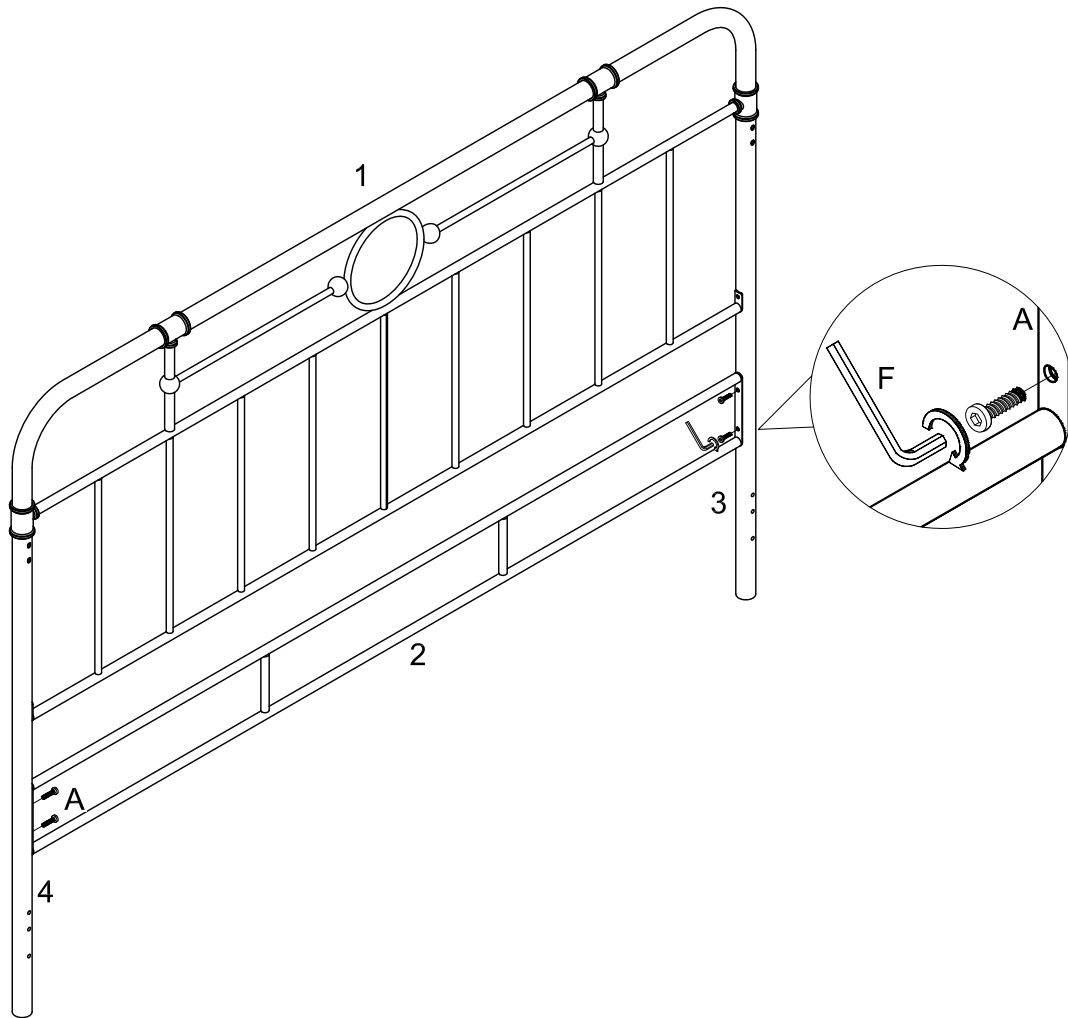
Step 1



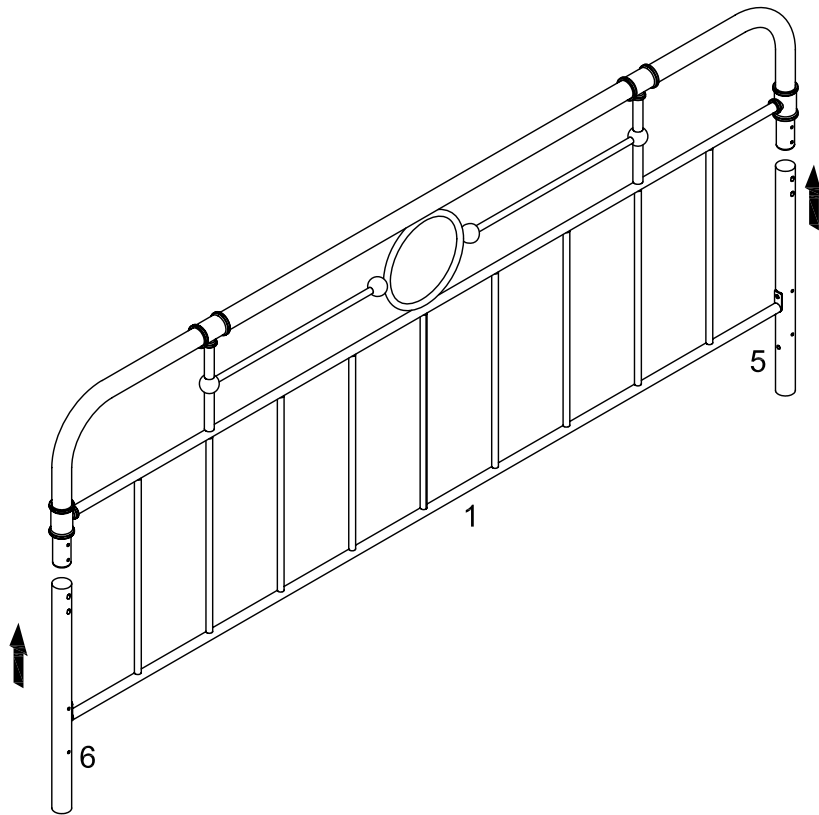
Step 2



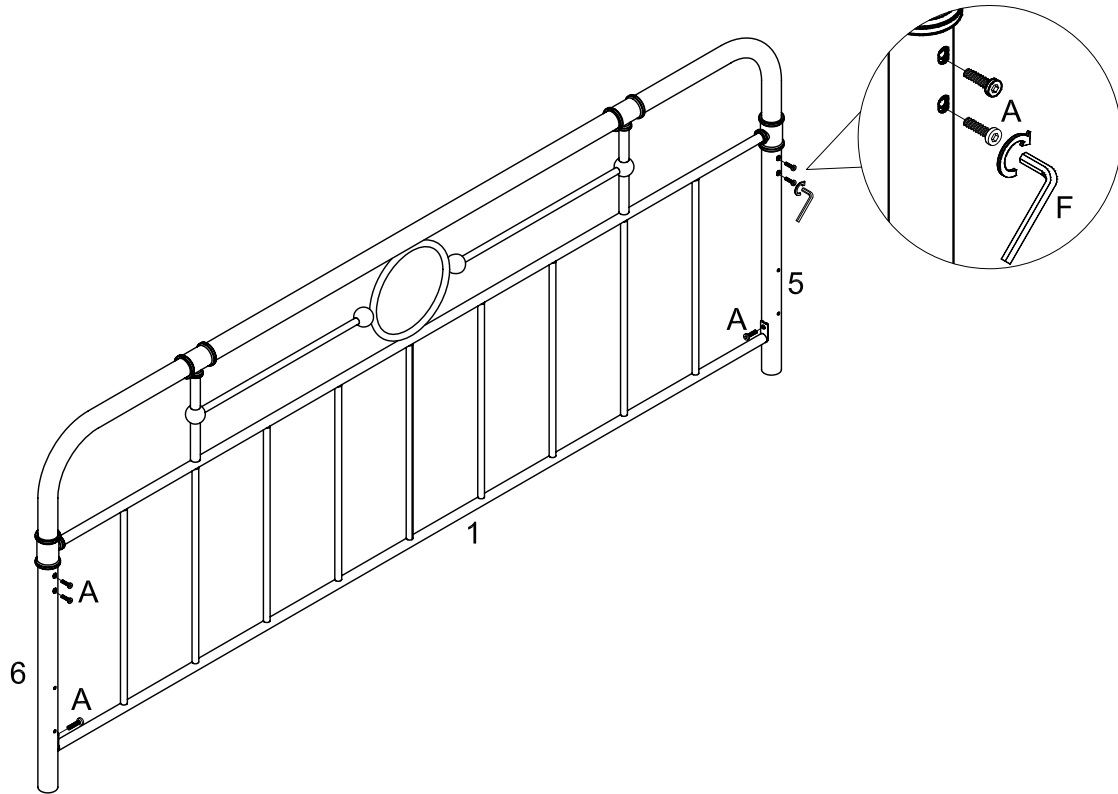
Step 3



Step 4

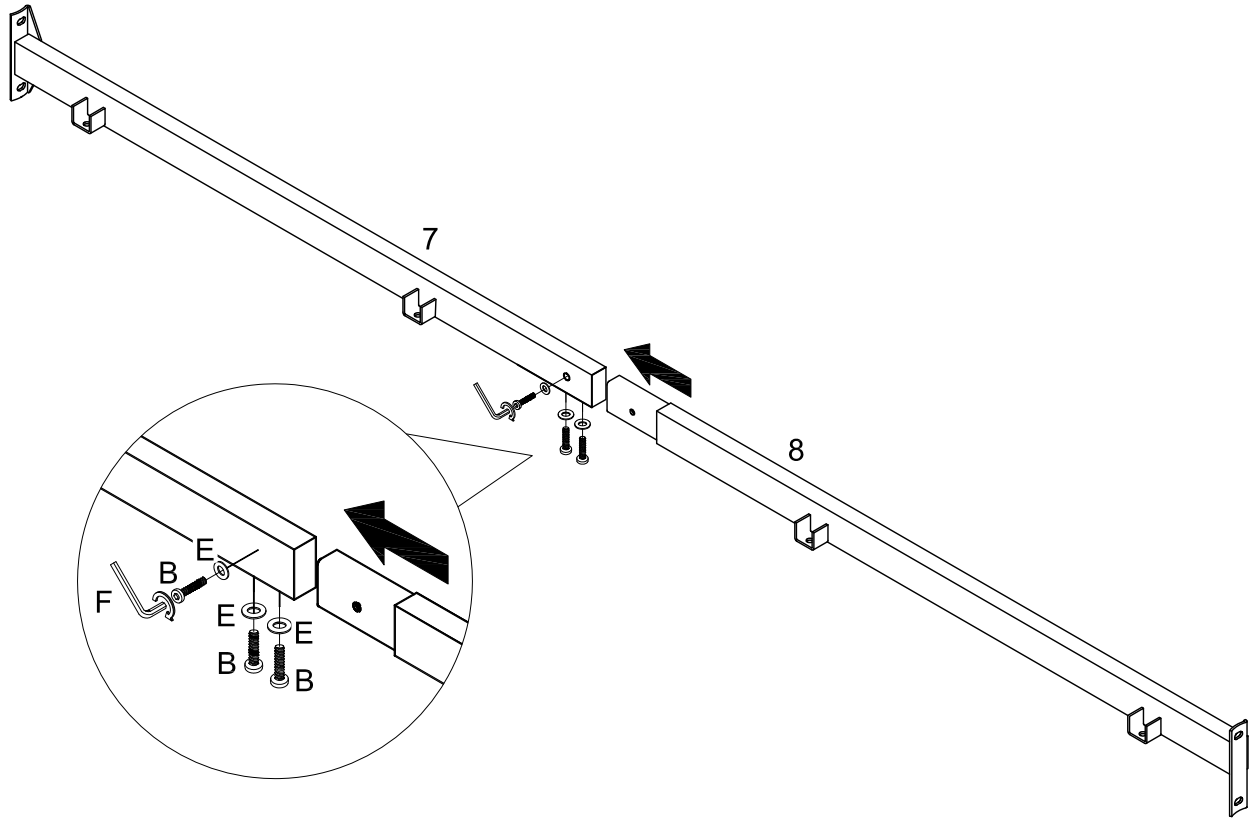


Step 5

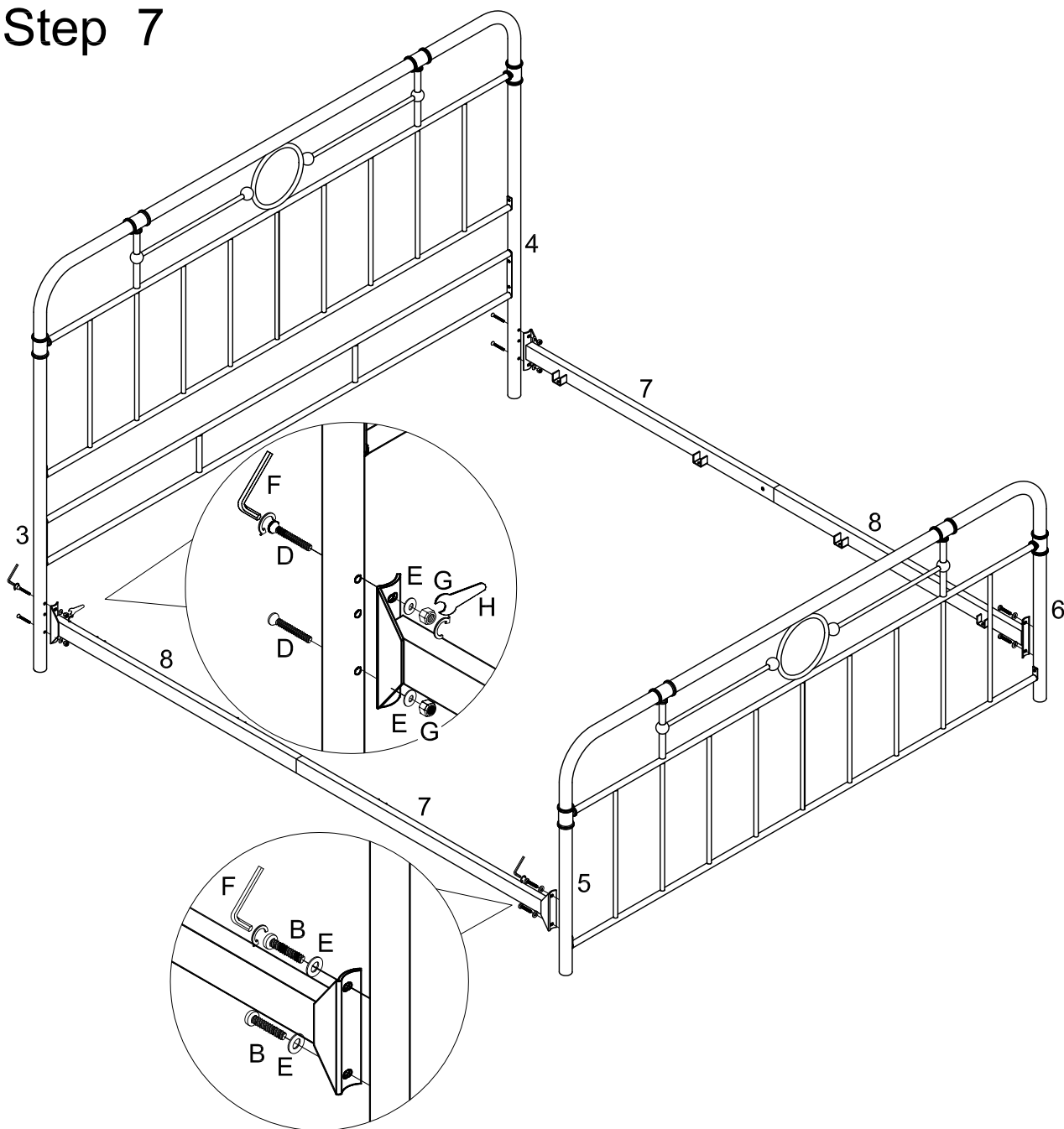


Step 6

x 2

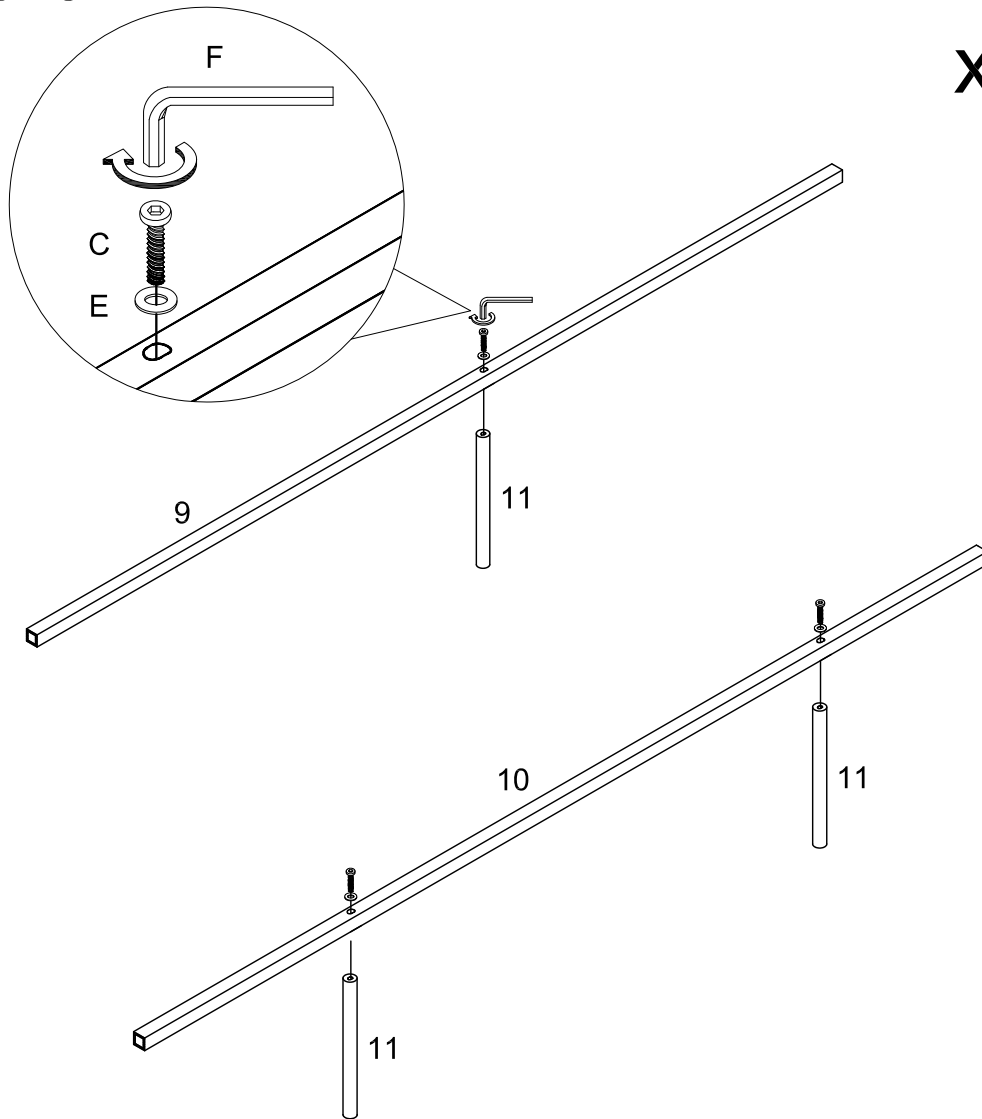


Step 7

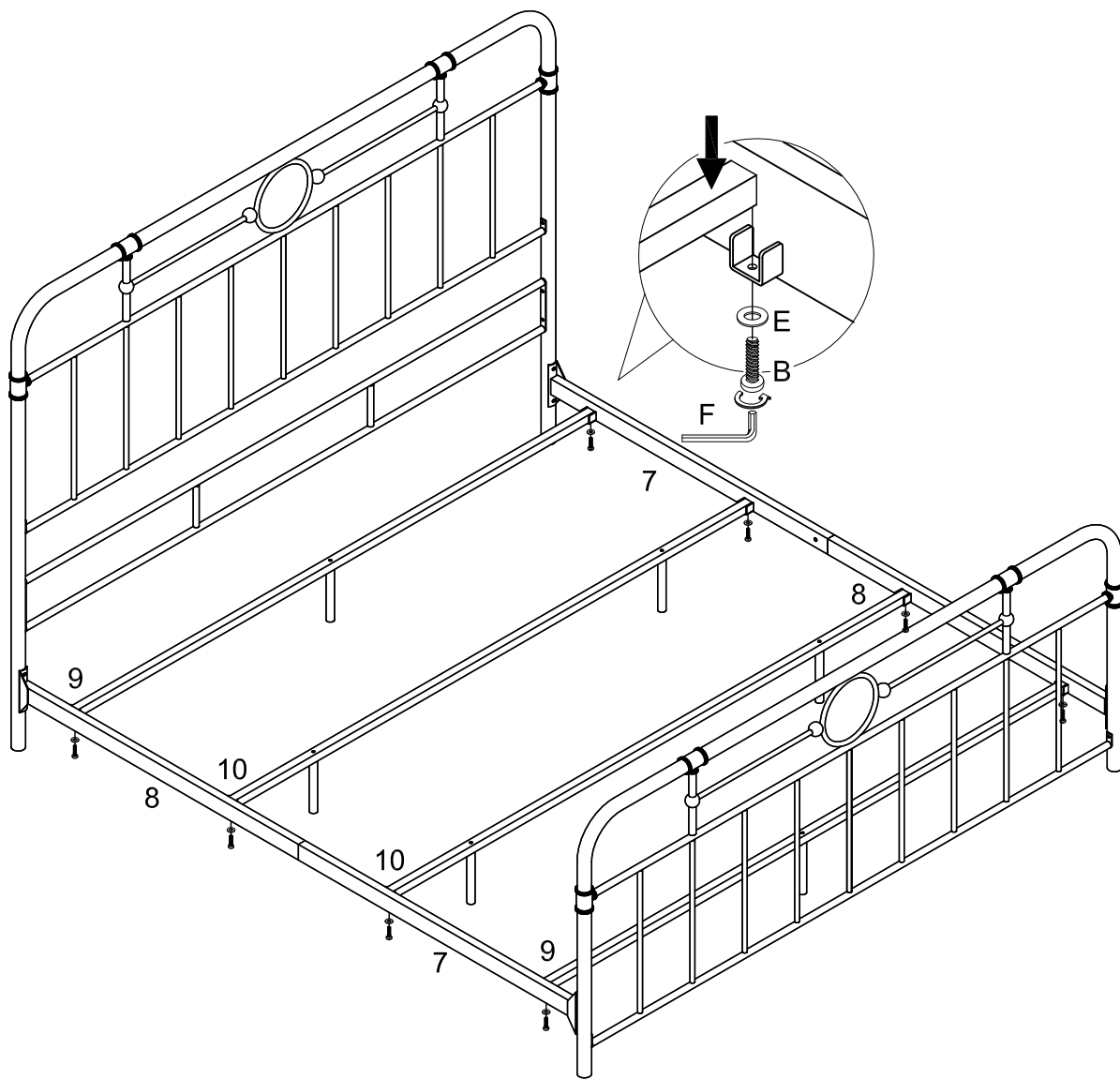


Step 8

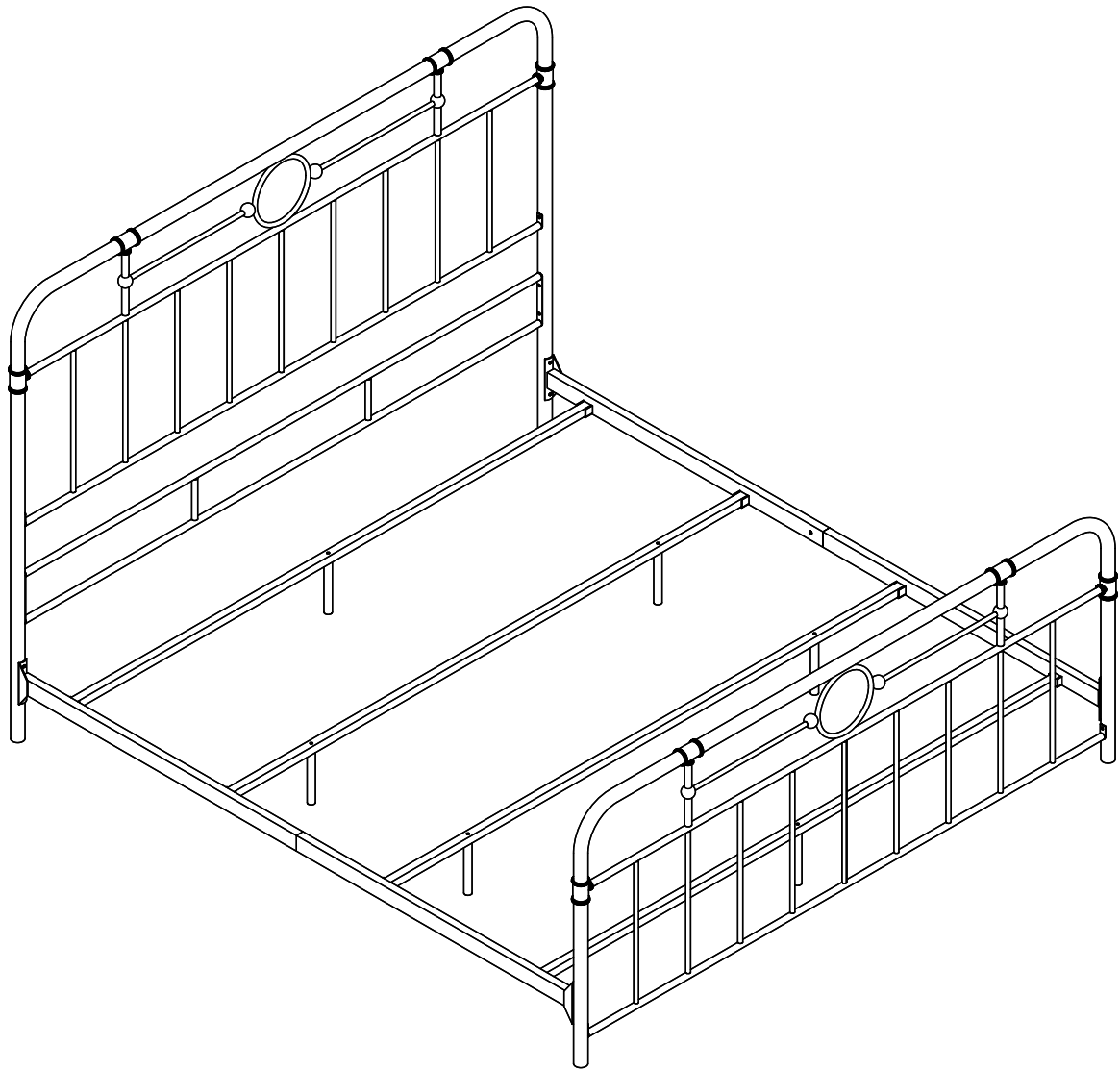
x 2



Step 9



Step 10



Final Assembly