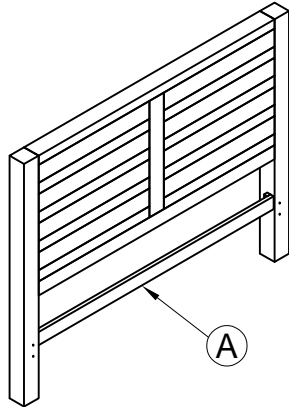


SAVANNA FULL BED ASSEMBLY INSTRUCTIONS



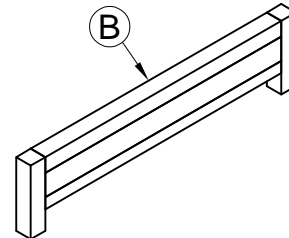
BOX #1

(A) HEADBOARD: 1 PC



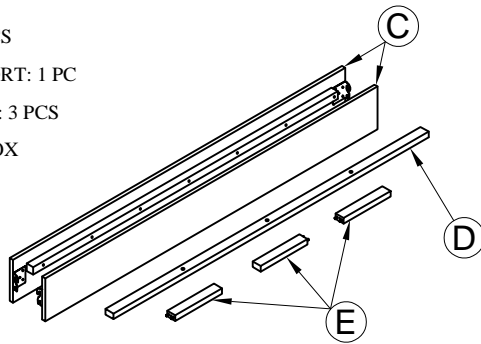
BOX #2

(B) FOOTBOARD: 1 PC



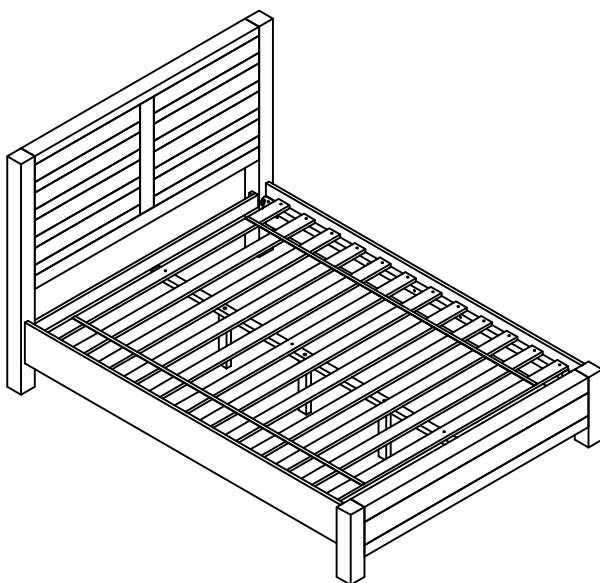
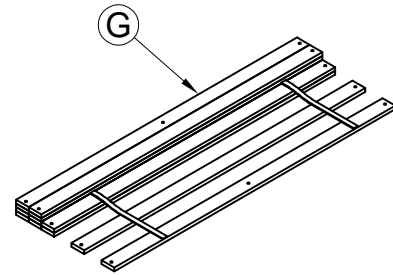
BOX #3

- (C) SIDE RAIL: 2 PCS
- (D) CENTER SUPPORT: 1 PC
- (E) SUPPORT LEGS: 3 PCS
- (F) HARDWARE BOX



BOX #4

(G) SLAT ROLL: 1 SET



HARDWARE PACKED IN BOX #3

(1) ALLEN BOLT
8x30mm: 8 PCS



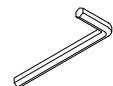
(2) SPRING WASHERS
M8: 8 PCS



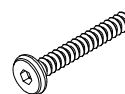
(3) FLAT WASHERS
M8: 8 PCS



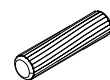
(4) ALLEN KEY
K4x59: 1 PC



(5) ALLEN SCREW
6x40mm: 3 PCS



(6) WOODEN DOWEL
8x30mm: 6 PCS



(7) PAN HEAD SCREW
4x30mm: 27 PCS

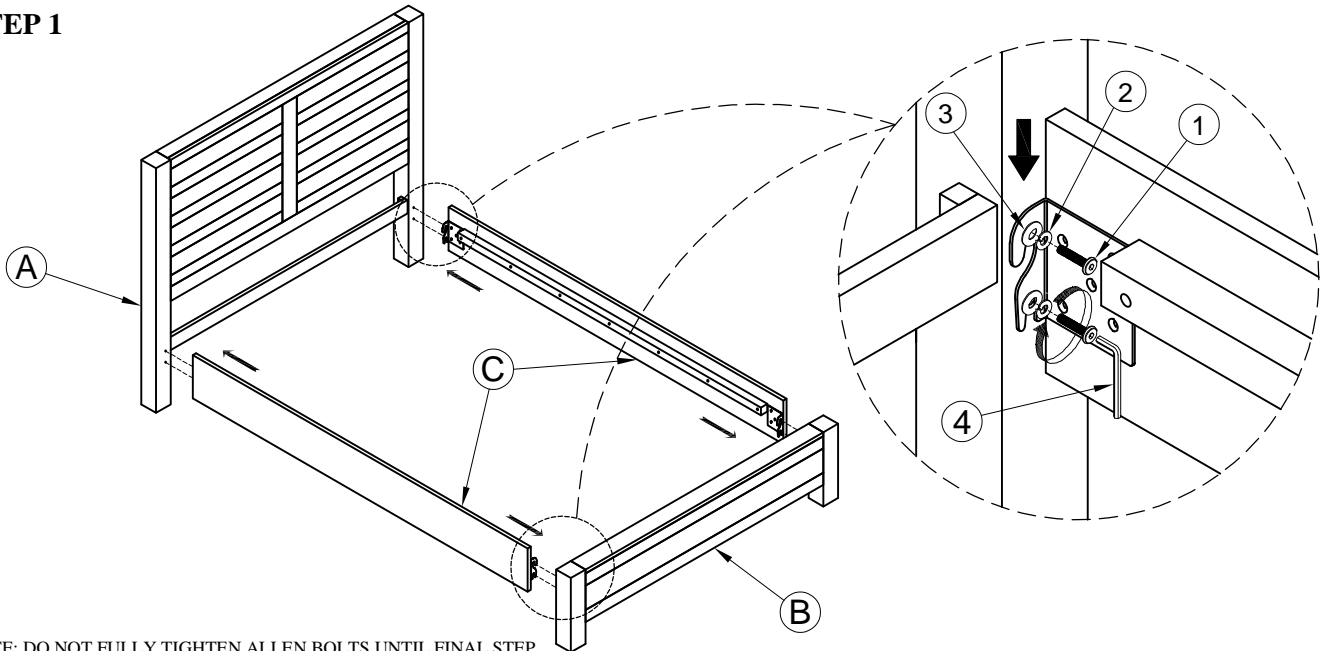


TOOL REQUIRED: PHILLIPS-HEAD SCREWDRIVER (NOT PROVIDED).

SAVANNA FULL BED ASSEMBLY INSTRUCTIONS

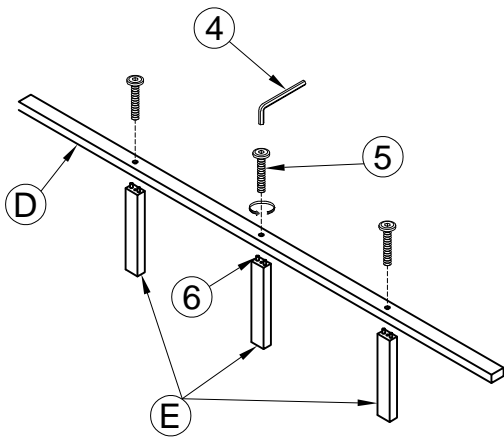


STEP 1

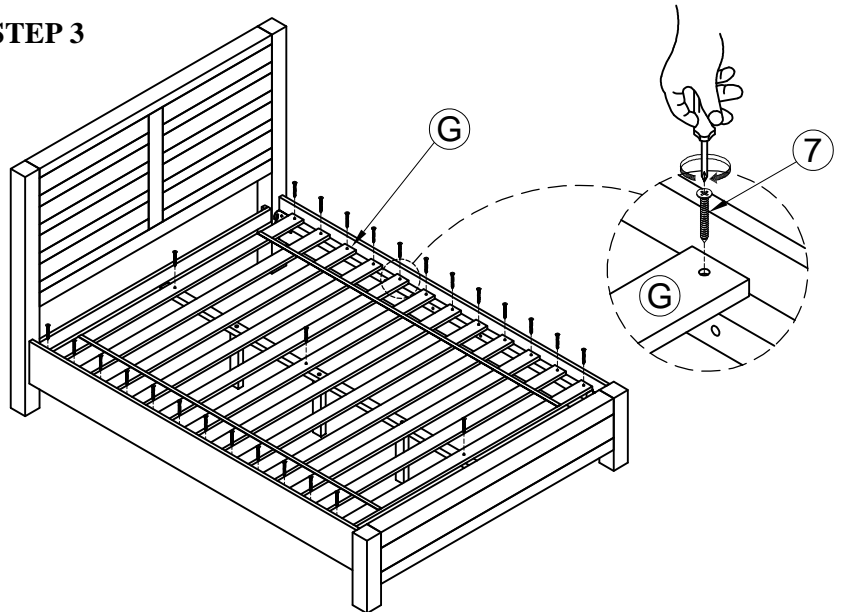


NOTE: DO NOT FULLY TIGHTEN ALLEN BOLTS UNTIL FINAL STEP.

STEP 2

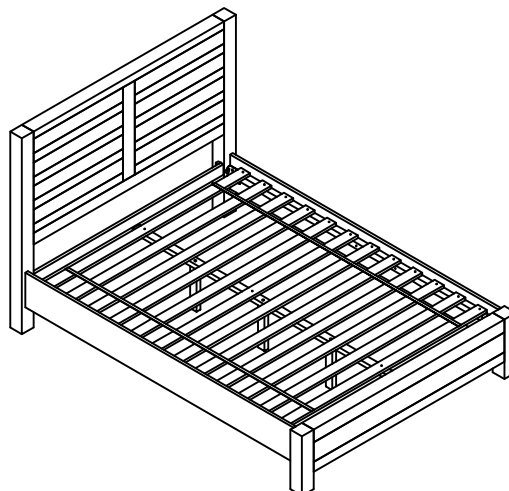


STEP 3



STEP 4

FULLY TIGHTEN ALLEN BOLTS FROM STEP 1.

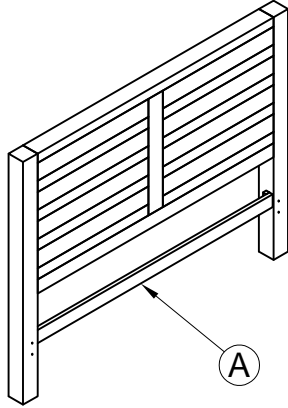


SAVANNA QUEEN BED/ KING BED ASSEMBLY INSTRUCTIONS



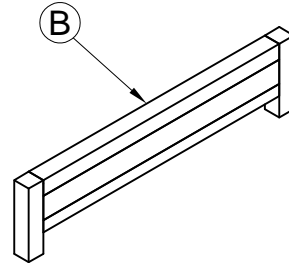
BOX #1

(A) HEADBOARD: 1 PC



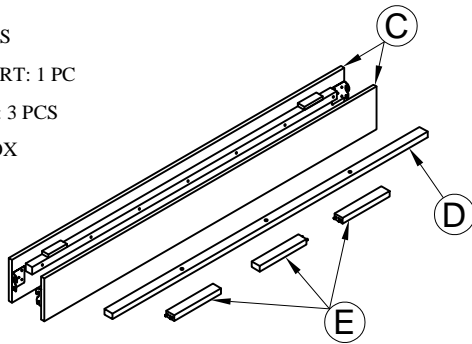
BOX #2

(B) FOOTBOARD: 1 PC



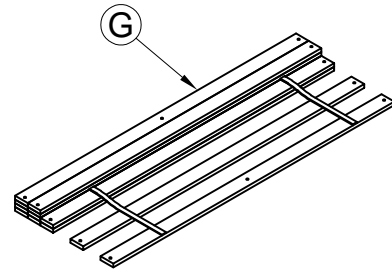
BOX #3

- (C) SIDE RAIL: 2 PCS
- (D) CENTER SUPPORT: 1 PC
- (E) SUPPORT LEGS: 3 PCS
- (F) HARDWARE BOX



BOX #4

(G) SLAT ROLL: 1 SET



HARDWARE PACKED IN BOX #3

① ALLEN BOLT
8x30mm: 8 PCS



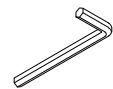
② SPRING WASHERS
M8: 8 PCS



③ FLAT WASHERS
M8: 8 PCS



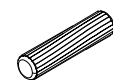
④ ALLEN KEY
K4x59: 1 PC



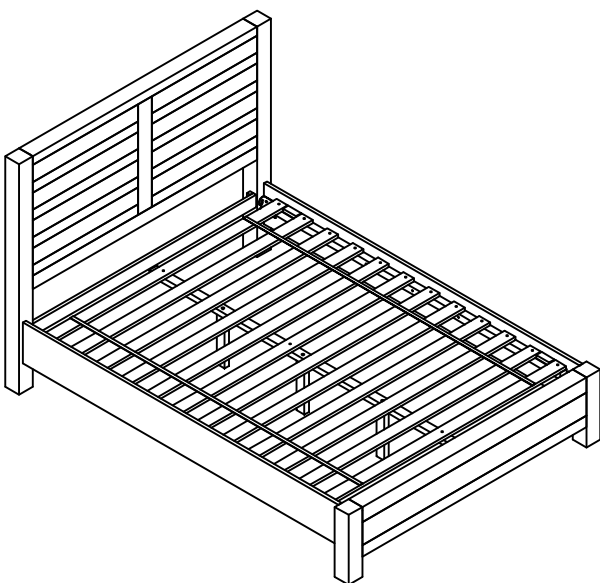
⑤ ALLEN BOLT
6x40mm: 3 PCS



⑥ WOODEN DOWEL
8x30mm: 6 PCS



⑦ PAN HEAD SCREW
4x30mm: 27 PCS

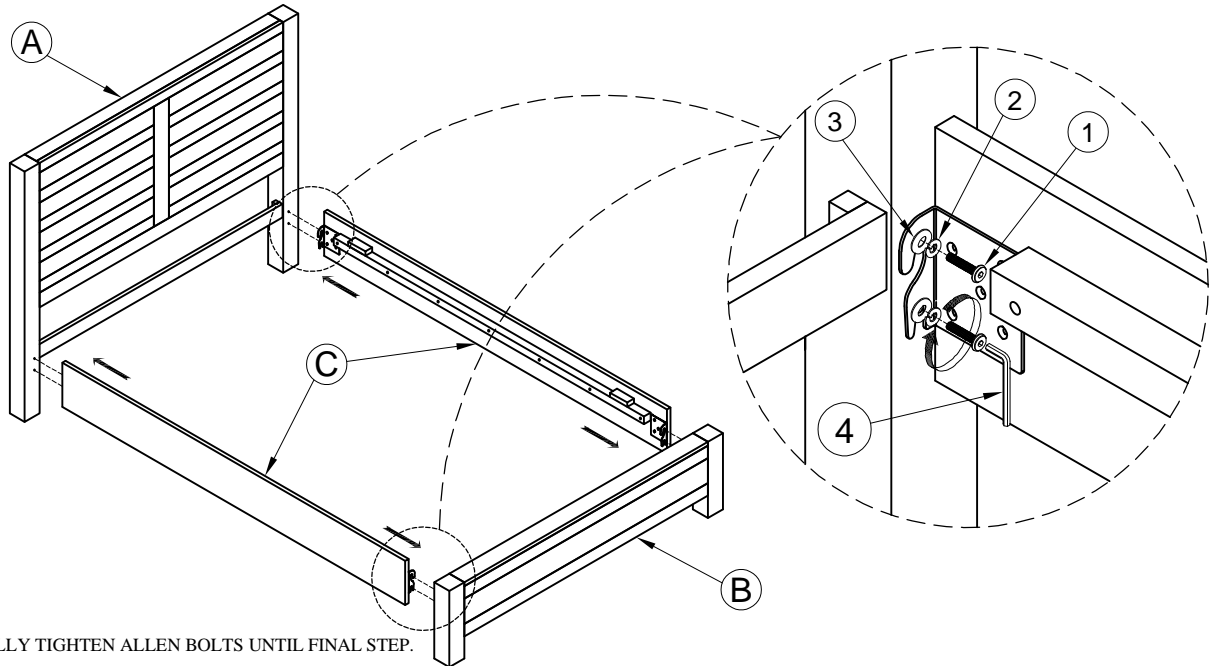


TOOL REQUIRED: PHILLIPS-HEAD SCREWDRIVER (NOT PROVIDED).

SAVANNA QUEEN BED/ KING BED ASSEMBLY INSTRUCTIONS

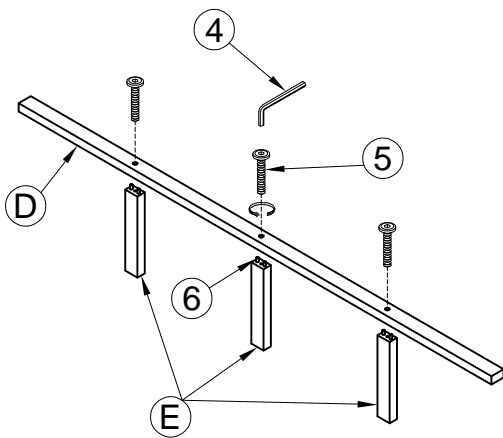


STEP 1

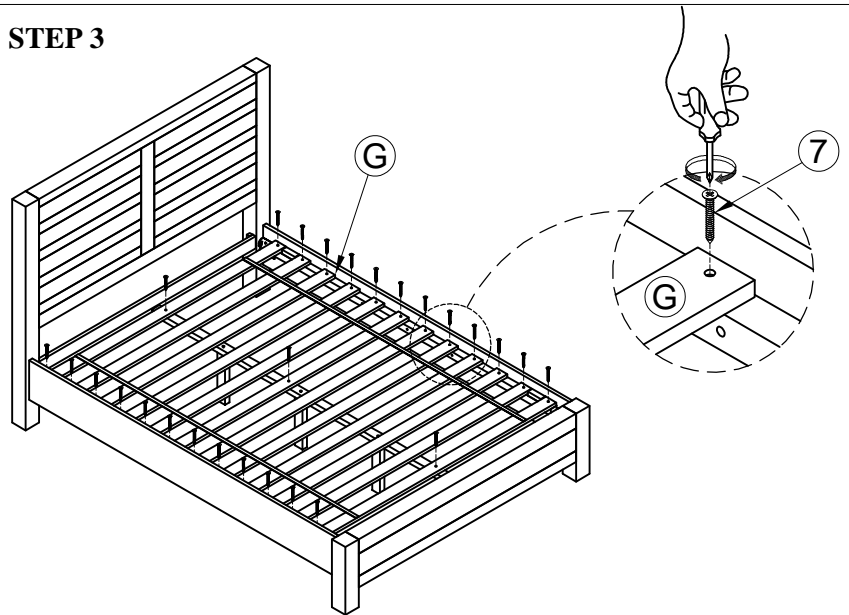


NOTE: DO NOT FULLY TIGHTEN ALLEN BOLTS UNTIL FINAL STEP.

STEP 2

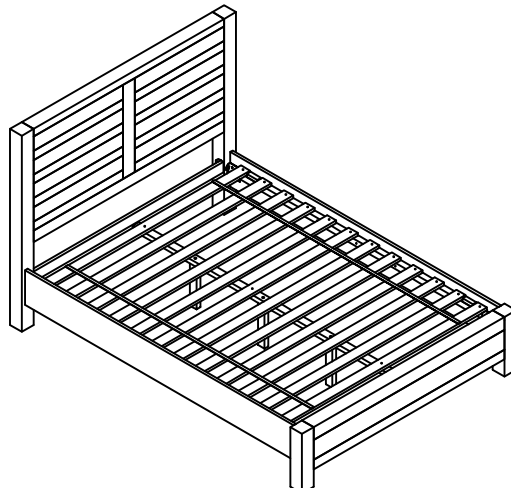


STEP 3



STEP 4

FULLY TIGHTEN ALLEN BOLTS FROM STEP 1.

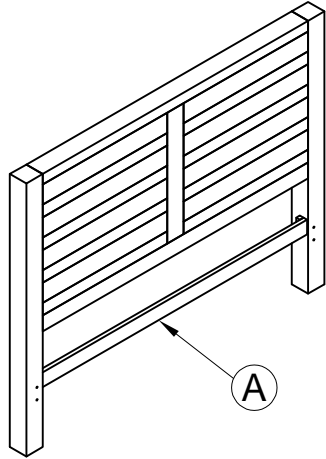


SAVANNA C.KING BED ASSEMBLY INSTRUCTIONS



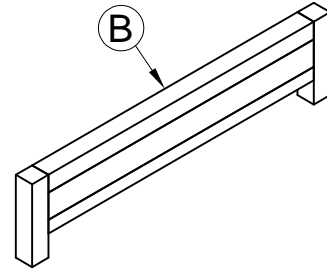
BOX #1

(A) HEADBOARD: 1 PC



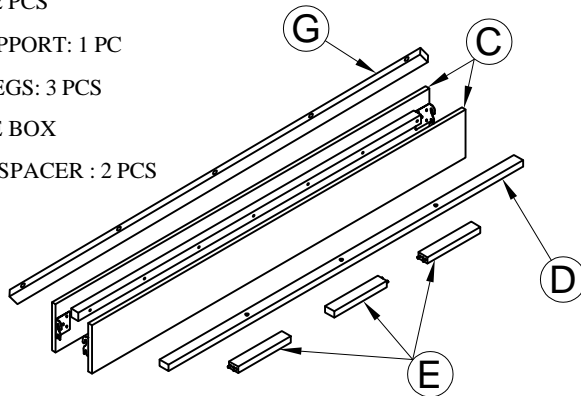
BOX #2

(B) FOOTBOARD: 1 PC



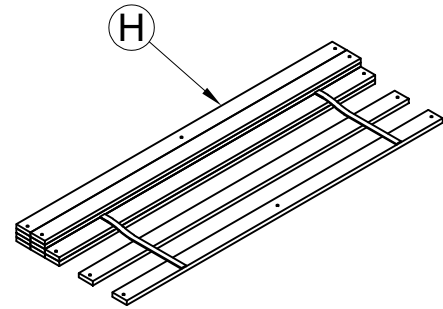
BOX #3

- (C) SIDE RAIL: 2 PCS
- (D) CENTER SUPPORT: 1 PC
- (E) SUPPORT LEGS: 3 PCS
- (F) HARDWARE BOX
- (G) MATTRESS SPACER : 2 PCS



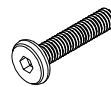
BOX #4

(H) SLAT ROLL: 1 SET



HARDWARE PACKED IN BOX #3

1 ALLEN BOLT
8x30mm: 8 PCS



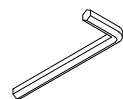
2 SPRING WASHERS
M8:18 PCS



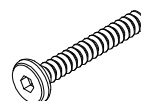
3 FLAT WASHERS
M8: 18 PCS



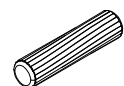
4 ALLEN KEY
K4x59: 1 PC



5 ALLEN SCREW
6x40mm: 3 PCS



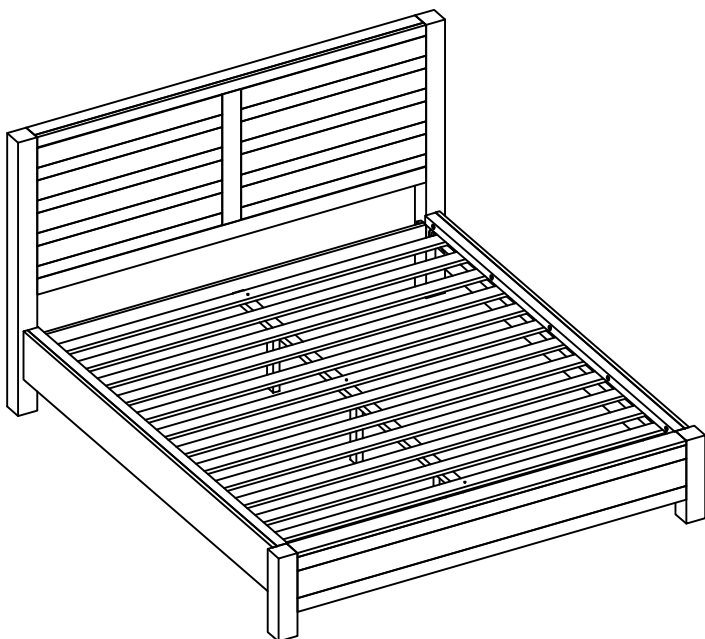
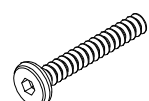
6 WOODEN DOWEL
8x30mm: 6 PCS



7 PAN HEAD SCREW
4x30mm: 29 PCS



8 ALLEN SCREW
6x45mm: 10 PCS

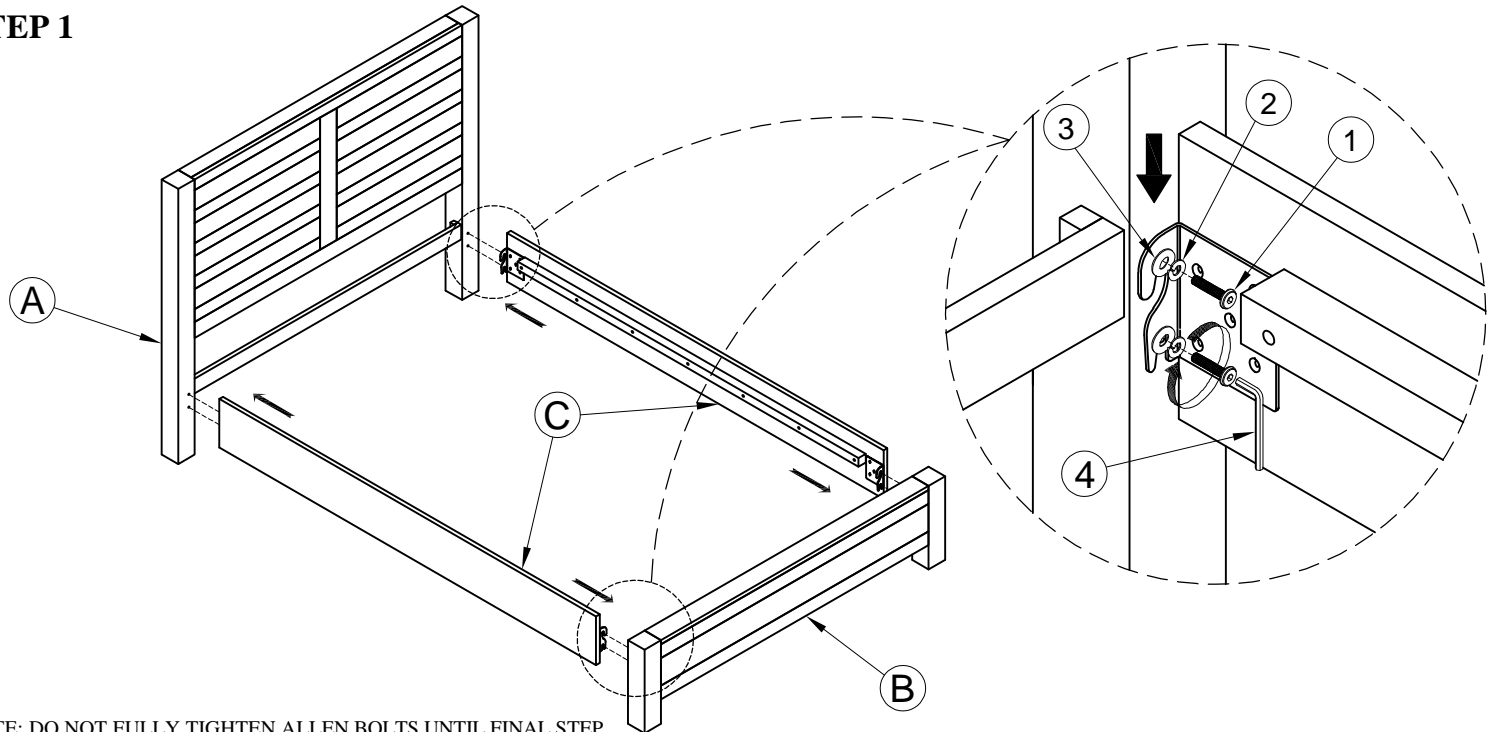


TOOL REQUIRED: PHILLIPS-HEAD SCREWDRIVER (NOT PROVIDED).

SAVANNA C.KING BED ASSEMBLY INSTRUCTIONS

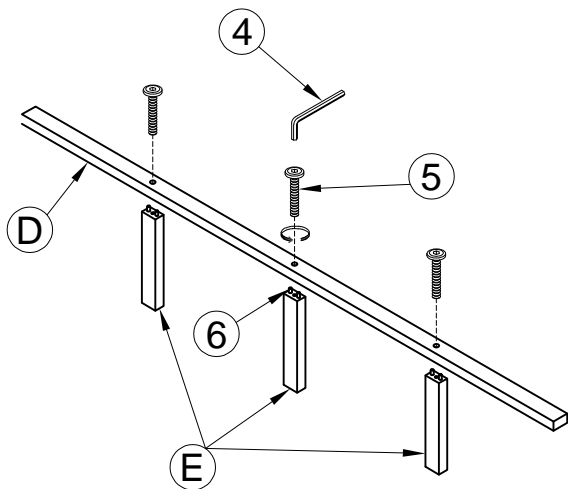


STEP 1

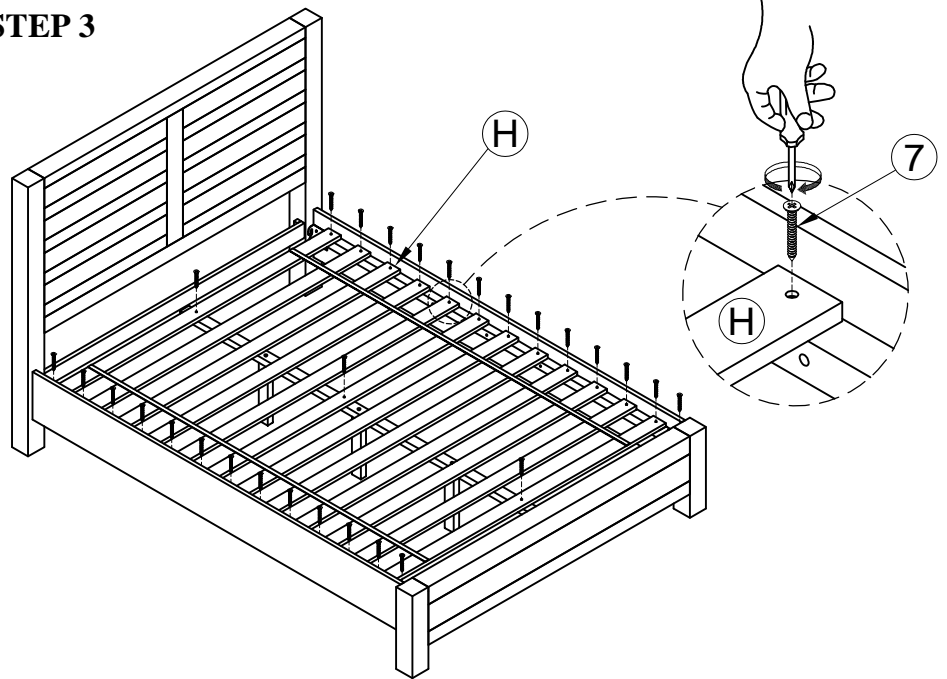


NOTE: DO NOT FULLY TIGHTEN ALLEN BOLTS UNTIL FINAL STEP.

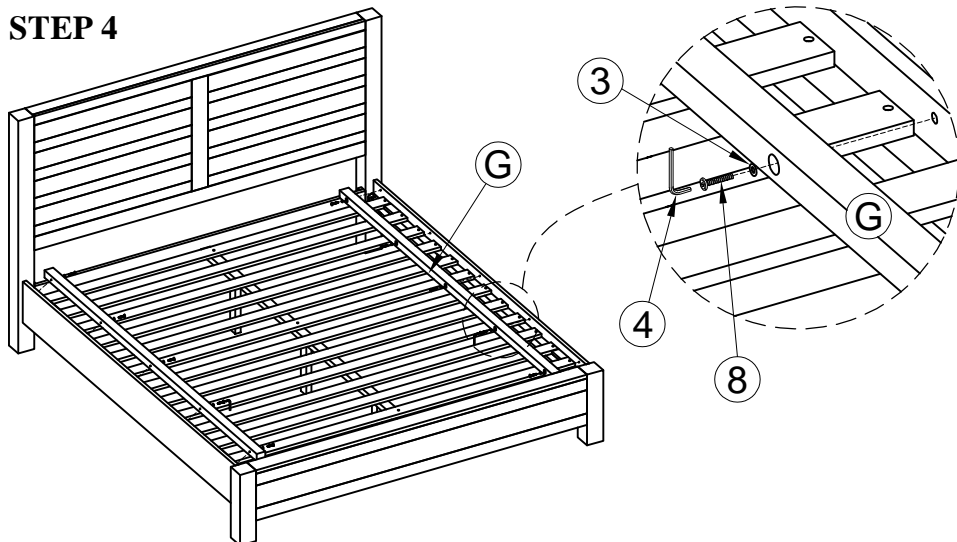
STEP 2



STEP 3



STEP 4



STEP 5

FULLY TIGHTEN ALLEN BOLTS FROM STEP 1.

