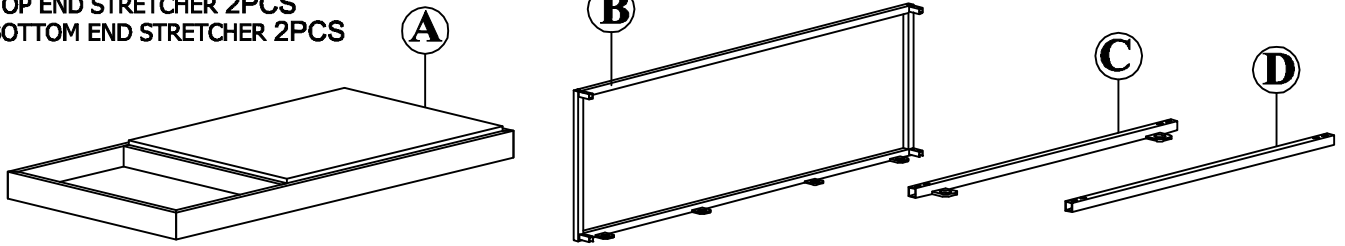


ENNIS COFFEE TABLE ASSEMBLY INSTRUCTIONS



PARTS PACKING CONFIGURATIONS

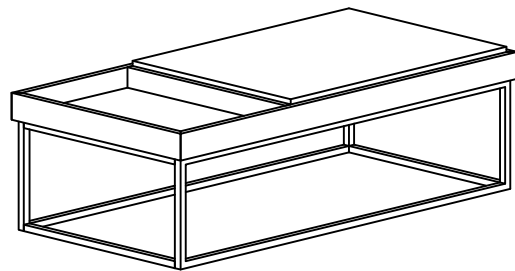
- A. TABLE TOP 1PC
- B. RECTANGULAR SIDE FRAME 2PCS
- C. TOP END STRETCHER 2PCS
- D. BOTTOM END STRETCHER 2PCS



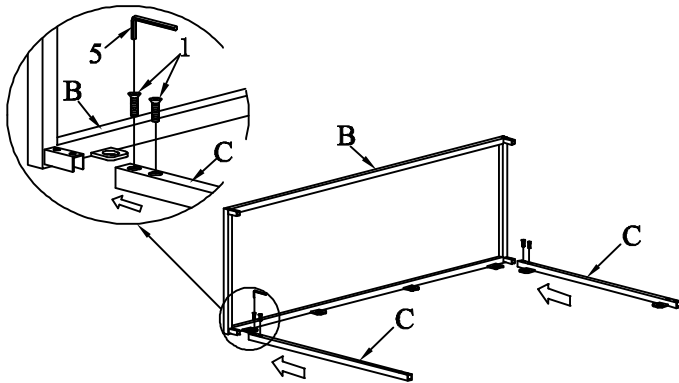
HARDWARE PACKED IN BOX

No	Description	Photo	Quantity
1	ALLEN BOLT (1/4 X 5/8)		16PCS
2	ALLEN BOLT (1/4 X 3/4)		12PCS
3	LOCK WASHER (1/4)		12PCS
4	FLAT WASHER (1/4)		12PCS
5	ALLEN KEY		1PC

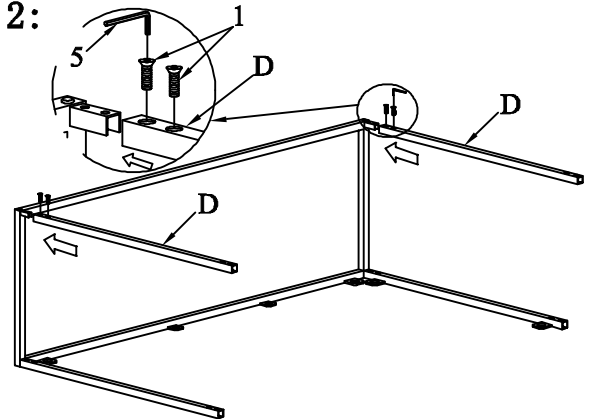
ENNIS COFFEE TABLE FULLY ASSEMBLED



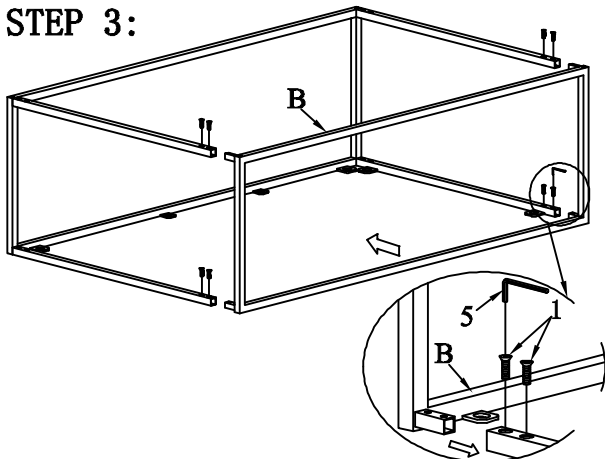
STEP 1:



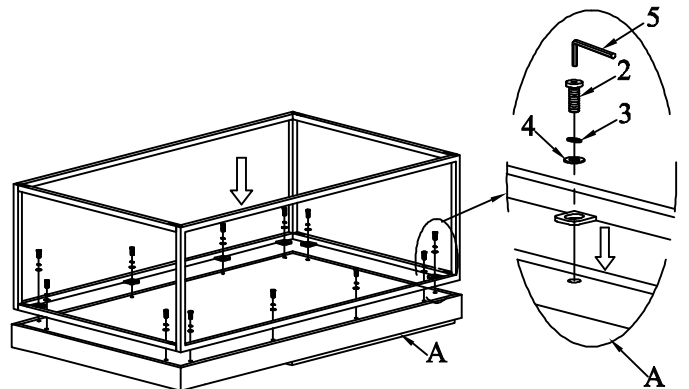
STEP 2:



STEP 3:



STEP 4:



FULLY ASSEMBLED

