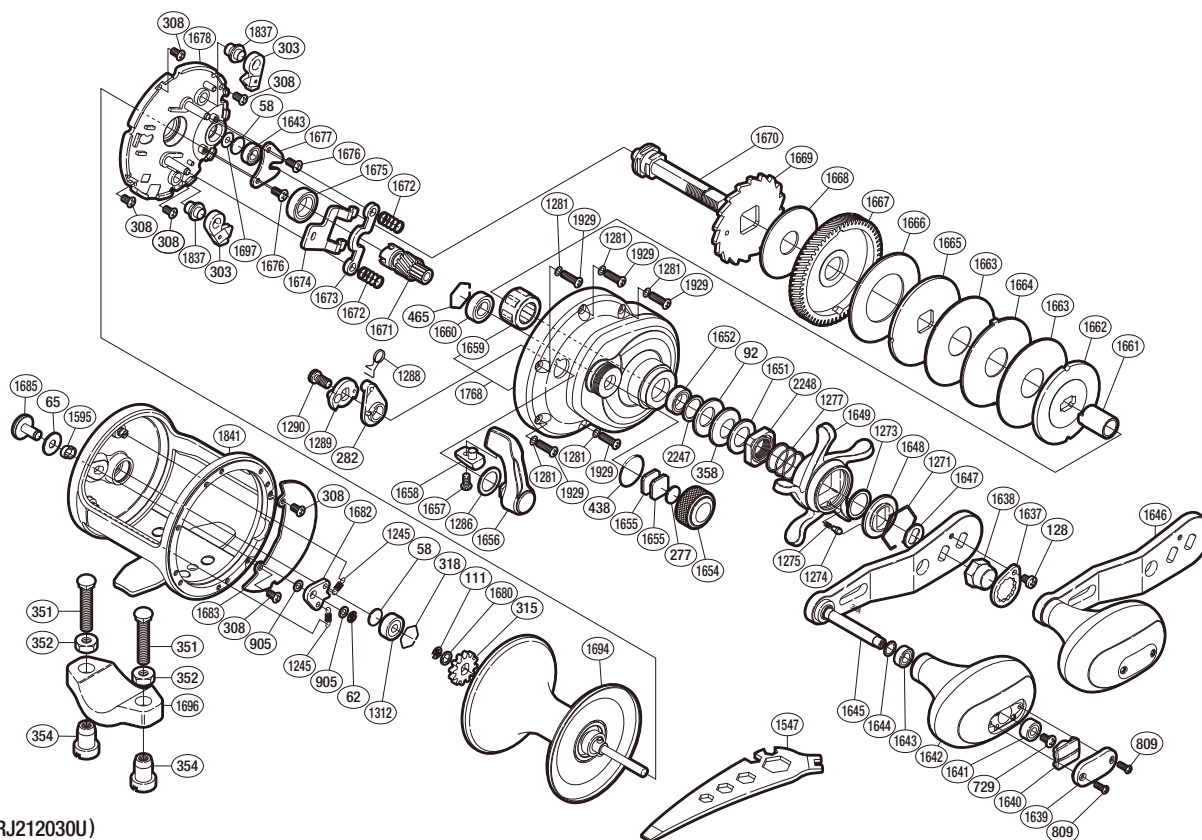


SHIMANO

TRINIDAD

TN-30A



(51RJ212030U)

#	Part No.	Description	#	Part No.	Description	#	Part No.	Description
58	10GEU	Spacer B	1595	104MS	Click Switch Cam	1668	10CLZ	Drag Washer
62	105NK	E Lock	1637	10QUA	Handle Nut Plate	1669	10DAP	Anti-Reverse Ratchet
65	104H2	Spacer	1638	10Q1L	Handle Nut	1670	10D6N	Drive Shaft
92	1052E	Coned Disc Spring (8H)	1639	108SQ	Handle Knob I.D. Plate	1671	10A7N	Pinion Gear
111	105NJ	E Lock	1640	10B97	Handle Knob Seal	1672	104C3	Yoke Spring
128	10QG0	Screw	1641	10KX1	Ball Bearing	1673	10485	Yoke
277	10896	Cast Control Spacer	1642	102HD	Handle Knob	1674	10488	Clutch Plate
282	10L29	Eccentric Cam Bushing	1643	105BP	Ball Bearing	1675	10KX7	Ball Bearing
303	10MWB	Anti-Reverse Pawl	1644	10HV3	Washer	1676	103EC	Screw
308	10LSK	Screw	1645	109ZR	Handle Shank Assembly	1677	109VK	Drive Shaft Retainer
315	104F1	Click Gear	1646	102VQ	Handle Assembly	1678	105WT	Set Plate
318	10GGM	Bearing Retainer	1647	107QM	Drive Shaft Shield	1680	10HWX	Washer
358	10EW3	Coned Disc Spring (8L)	1648	10J27	Star Drag Click Plate	1682	10GQL	Click Pawl
438	108WK	O Ring	1649	10B81	Star Drag	1683	10QCF	Set Plate Sticker
465	10GGN	Bearing Retainer	1651	10J1N	Star Drag Spacer	1685	104GZ	Click Button
729	103E9	Screw	1652	10EX8	Ball Bearing	1694	10ENK	Spool Assembly
809	103NH	Screw	1654	10KWP	Cast Control Cap	1697	10GA0	Washer
905	10J18	Spacer	1655	10890	Cast Control Spacer	1768	109G6	Right Side Plate
1245	1046E	Click Pawl Spring	1656	10877	Clutch Lever	1837	10PE1	Anti-Reverse Pawl Shaft
1271	10KXX	Click Plate Retainer	1657	10LSQ	Screw	1841	10KEM	One-Piece Frame
1273	10G6M	Washer	1658	10C66	Clutch Lever Protector	1929	10M2V	Screw
1274	10BT0	Click Pin	1659	10F37	Roller Clutch Bearing	2247	10J4J	Washer
1275	10HZ6	Click Spring	1660	104JD	Ball Bearing	2248	10QY2	Star Drag Nut
1277	10HZ2	Star Drag Spring	1661	10BR0	Roller Clutch Inner Tube			
1281	10J4B	Washer	1662	10D52	Pressure Plate	351	10A7A	Rod Clamp Bolt (Accessory)
1286	10G6P	Smoother	1663	10L8J	Drag Washer	352	105N9	Rod Clamp Nut B (Accessory)
1288	10JYV	Clutch Spring	1664	10KQK	Eared Washer	354	1046P	Rod Clamp Nut A (Accessory)
1289	1084H	Clutch Cam	1665	10L56	Drag Washer	1696	10AS2	Rod Clamp (Accessory)
1290	10F8N	Screw	1666	10D3E	Drag Washer			
1312	10KAE	Ball Bearing	1667	10QNQ	Drive Gear	1547	10MJ8	Wrench (Accessory)

Please note that the number of adjusting washers may not be the same as shown in the exploded views.
(Adjustment will vary with each individual product.)

(241209)_004