



Thank you for purchasing Leick Furniture products.
Contact customer service for comments or concerns.

Sheboygan, WI

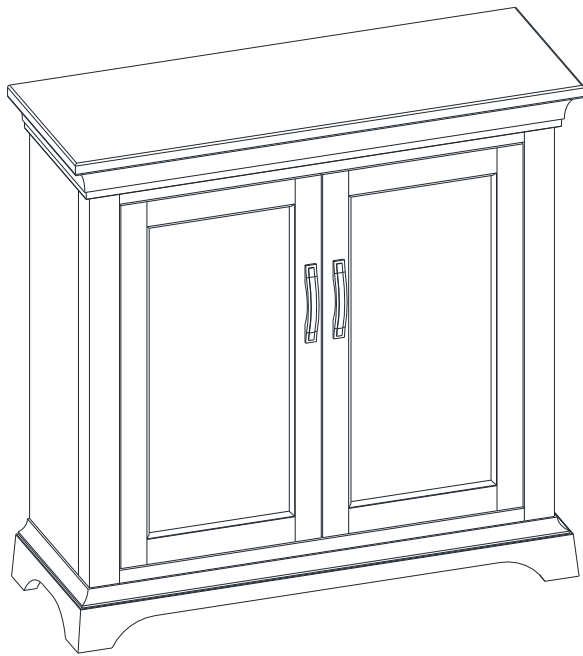
920-451-4060











info@leickhome.com

www.leickhome.com

Assembly Instructions, #10002

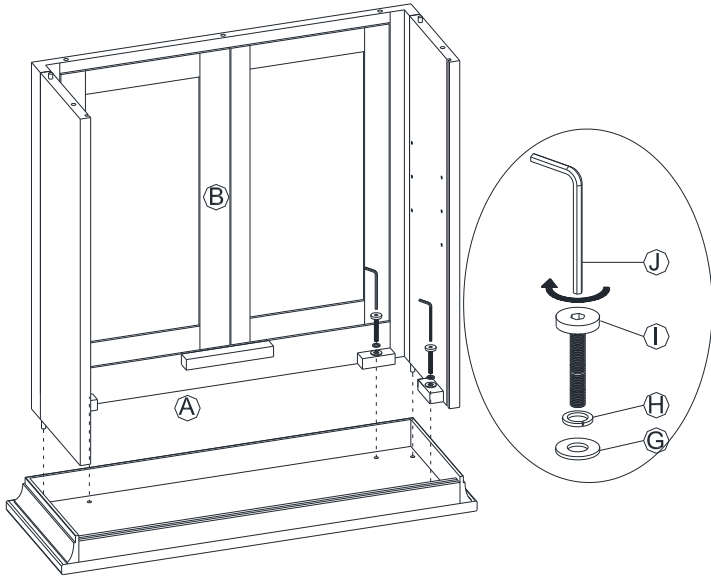
Traditional Foyer Cabinet



A: Top	
B: Cabinet	
C: Back Panel	
D: Base	
E: Shelf	
F: (4) Shelf Clips	
G: (9) Flat Washers	
H: (9) Lock Washers	
I: (9) Bolts	
J: Allen Wrench	

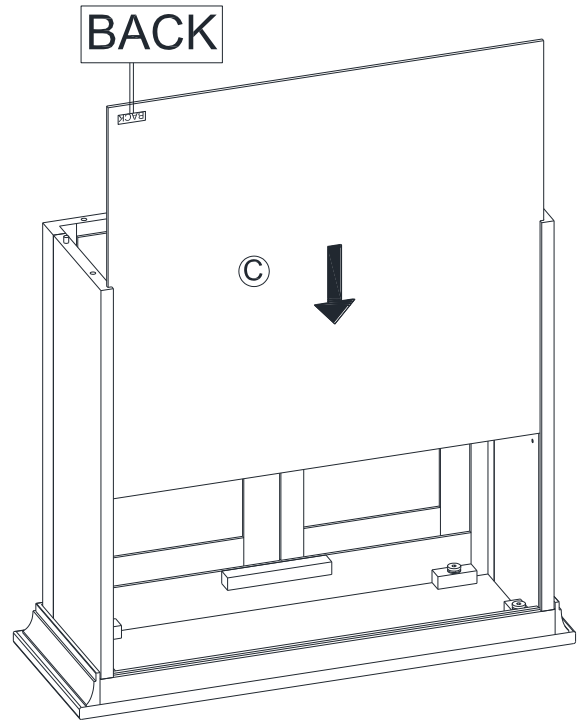
Step 1

Unfold the cabinet and place it upside down into the top. Fasten with parts (I & H & G) by using Allen wrench. Do not tighten.



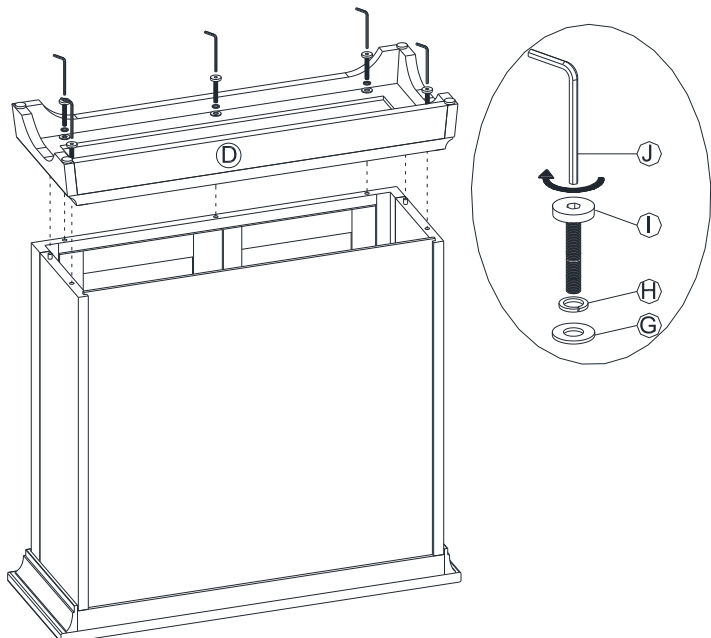
Step 2

Slide the back panel into the cabinet.



Step 3

Fasten the base with bolts. Now tighten all bolts on step 1 and step 3.



Step 4

Put the cabinet right side up and insert the shelf supports. Place the shelf into the cabinet.

