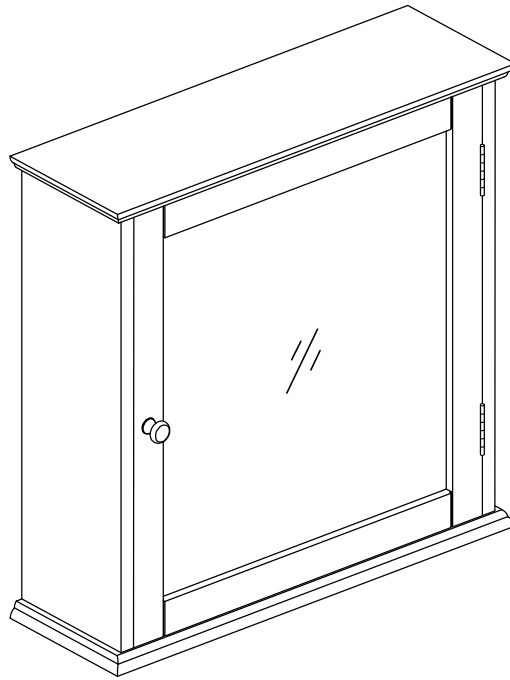


ASSEMBLY INSTRUCTIONS MEDICINE CABINET, 1 GLASS DOOR



Please provide the following information when contacting for parts or questions: the name of the company you purchased from, the UPS/FedEx tracking number.

This product comes with a 1 year warranty. Products purchased second hand/used are not covered under the warranty.

ASSEMBLY INSTRUCTIONS-IMPORTANT

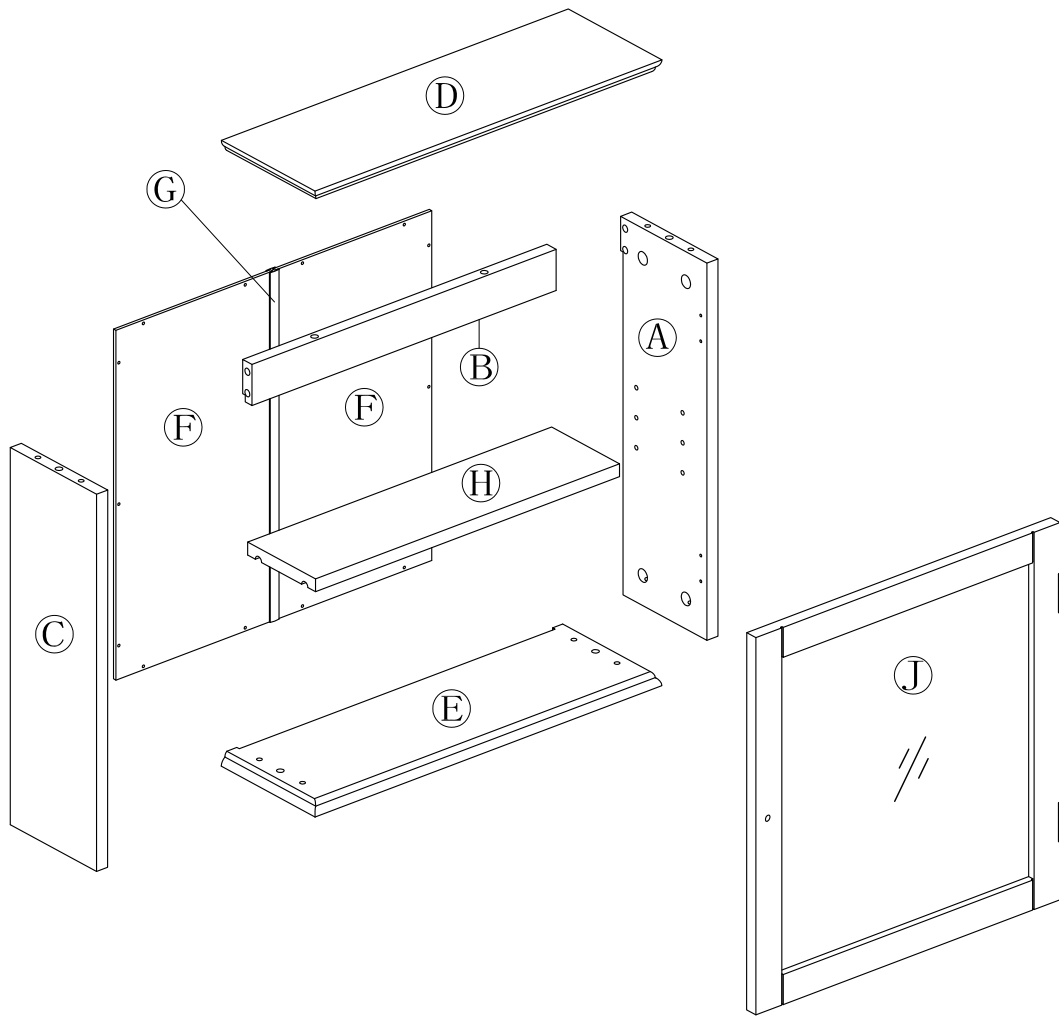
Carefully unpack & identify each component before attempting to assemble. Refer to parts list. Please take care when assembling the unit and always set the parts on a clean, soft surface. If you require any assistance with assembly, parts, please call the company you place order with or please email to: service@eleganthf.net

INSTRUCCIONES PARA ARMAR-IMPORANT:

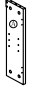
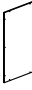





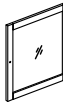

Desempaque cuidadosamente e identifique cada componente antes de tartar de empezar su ensambladura. Verifique la lista de partes. Por favor tenga cuidado cuando arme la unidad y siempre coloque las piezas sobre una superficie plana, suave y limpia. Si necesita ayuda con el armado, envíe un correo electzórico a service@eleganthf.net

DIRECTIVES DE MONTAGE-IMPORTANT:

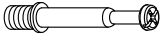
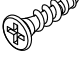


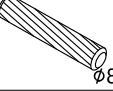
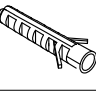
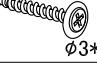



Avant de commencer l' assemblage, déballez délicatement toutes les pièces et repérez-les sur la liste des pièces. Procédez avec soins durant l' assemblage et posez toujours les pièces sur une surface proper, douce et lisse. sie vouo plait e-mail á service@eleganthf.net



COMPONENTS

PART	FIGURE	DESCRIPTION	QTY	PART	FIGURE	DESCRIPTION	QTY
A		RIGHT SIDE PANEL	1PC	F		BACK PANEL	2PCS
B		UPPER RAIL	1PC	G		PLASTIC BAR	1PC
C		LEFT SIDE PANEL	1PC	H		ADJUSTABLE SHELF	1PC
D		TOP PANEL	1PC	J		DOOR	1PC
E		BOTTOM PANEL	1PC				

HARDWARE & TOOLS

PART	FIGURE	DESCRIPTION	QTY	PART	FIGURE	DESCRIPTION	QTY
1		CAM BOLT	8PCS	7	 ø3*12	SCREW	4PCS
2	 ø15*12	CAM LOCK	8PCS	8	 ø4*35	SCREW	2PCS
3	 ø8*30	WOODEN DOWEL	10PCS	9		ANCHOR	2PCS
4	 ø3*12 D=7	SCREW	14PCS	10		KNOB	1PC
5		SHELF PIN	4PCS				
6		KNOB BOLT	1PC				

TOOL NEEDED:



**PHILIPS SCREWDRIVER REQUIRED
- NOT INCLUDED**

SUGGESTION:



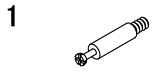
TWO PEOPLE FOR ASSEMBLING



WARNINGS:

1. DO NOT LET ANY SHARP OBJECTS TOUCH OR RUB THE SURFACE OF THE PRODUCT.
2. WHEN ASSEMBLING, DO NOT LET CHILDREN PLAY AROUND THE WORKING AREA.
3. PLEASE CONFIRM ALL PARTS ARE CORRECT BEFORE STARTING THE ASSEMBLY PROCESS.
4. DO NOT TIGHTEN ALL BOLTS AND SCREWS COMPLETELY UNTIL THE ENTIRE UNIT HAS BEEN ASSEMBLED AND SET UP.

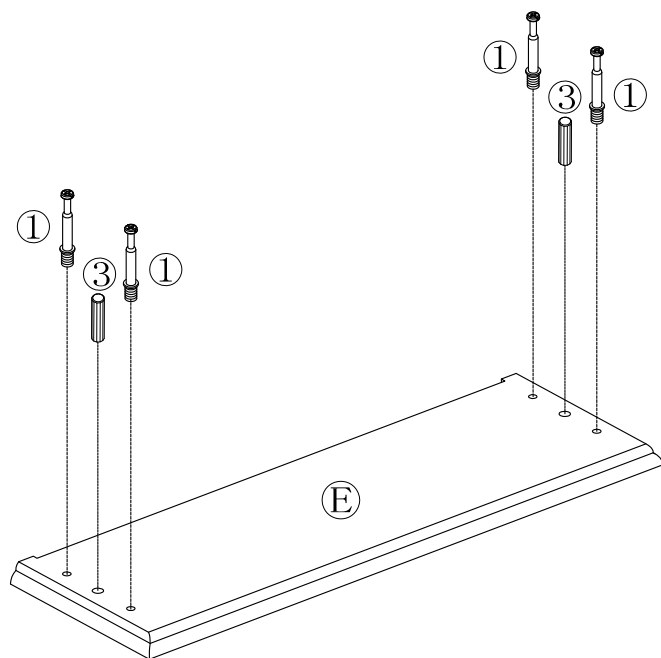
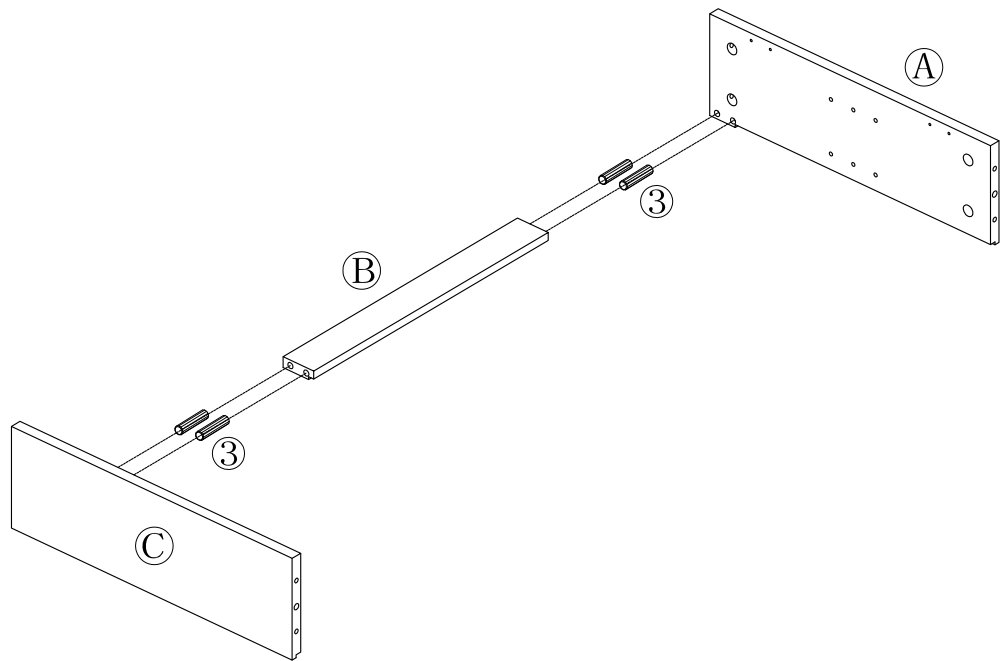
1



4 PCS



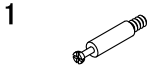
6 PCS



STEP 1:

1. Attach rail B to panels A & C with dowels (3).
2. Screw cambolts (1) and insert dowels (3) into panel E.

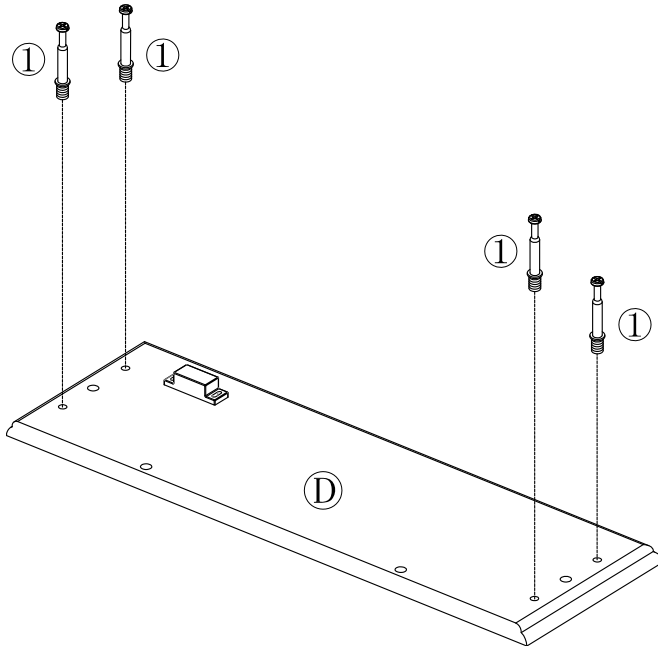
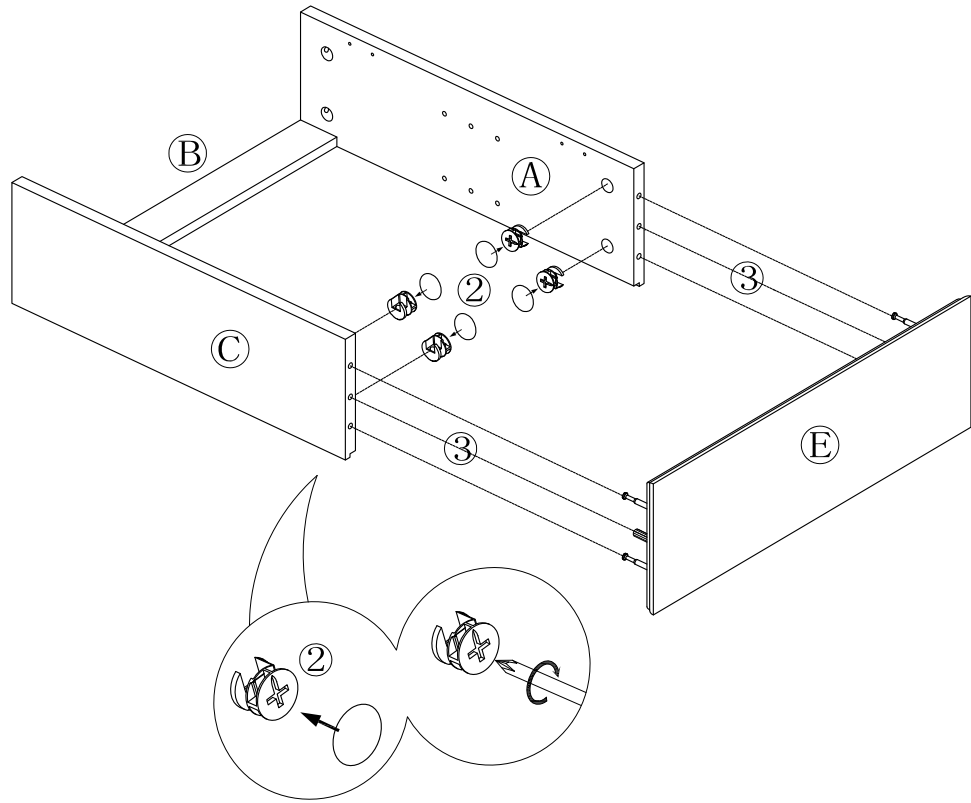
2



4 PCS



4 PCS $\phi 15 \times 12$



STEP 2:

1. Attach panels A & C to panel E and secure with camlocks (2).
2. Screw cambolts (1) onto panel D.

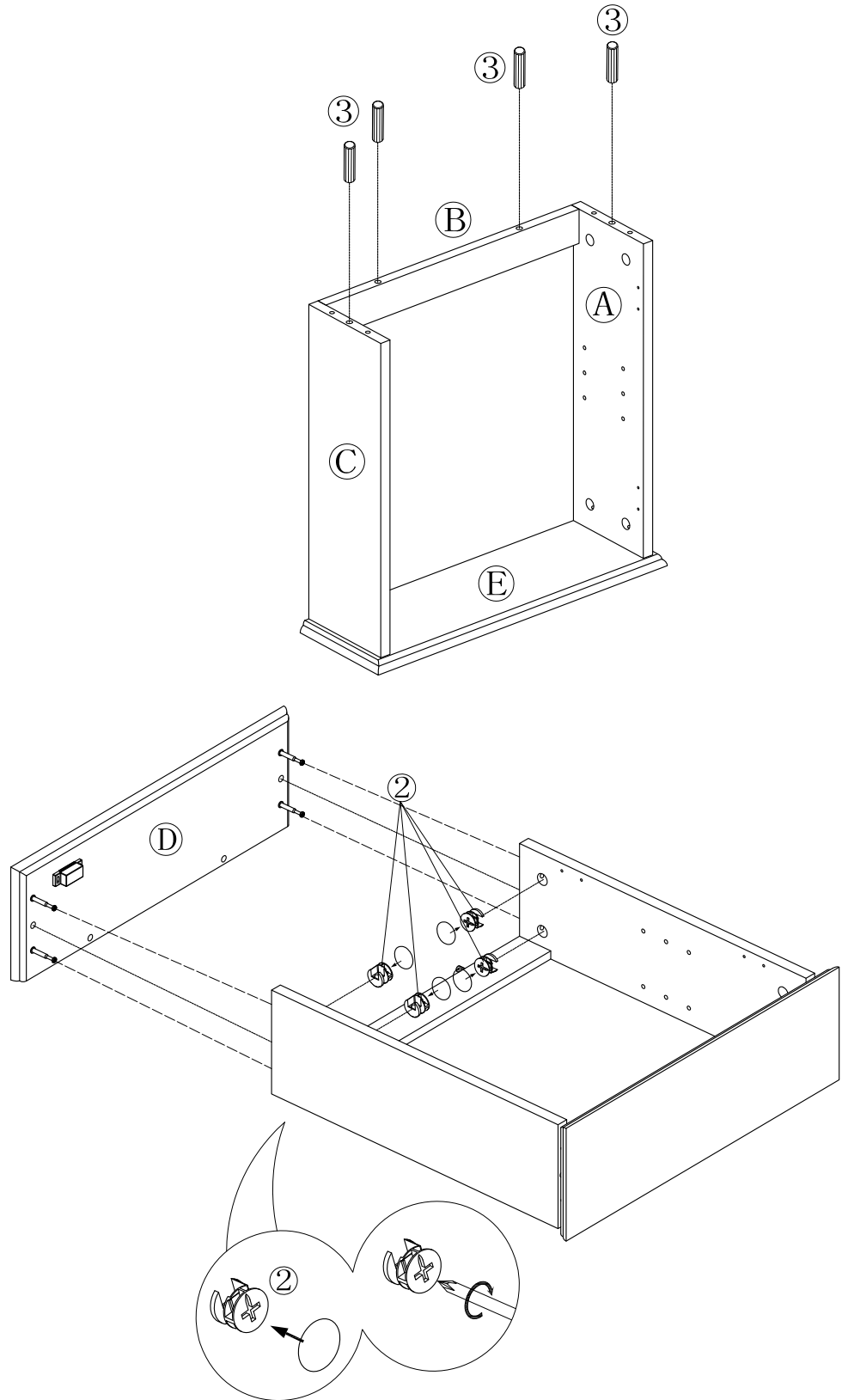
3

2

4 PCS $\phi 15 \times 12$

3

4 PCS



STEP 3:

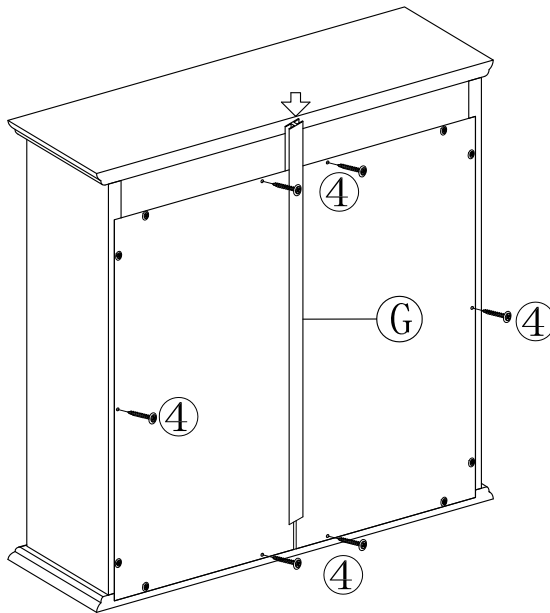
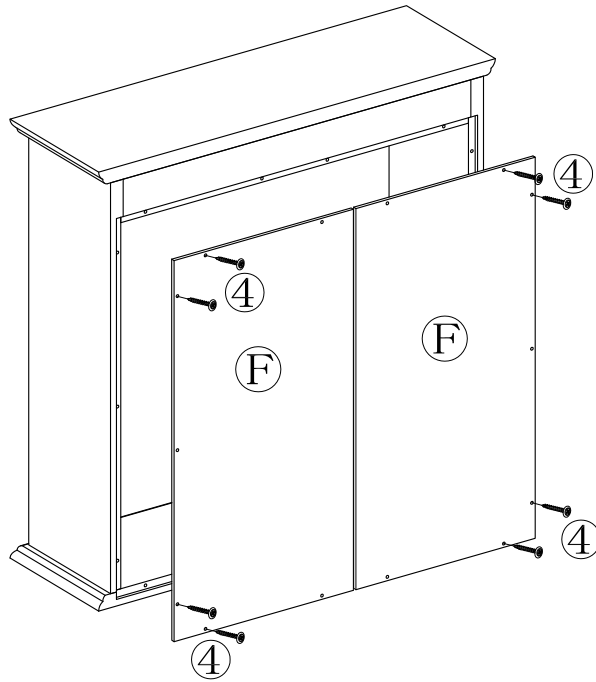
1. Insert dowels (3) into the tops of panels A.B& C.
2. Attach panel D to panels A & C and secure with camlocks (2).

4

4



14 PCS $\phi 3 \times 12$ D=7



STEP 4:

1. Attach panels F to the cabinet and secure the corners with screws (4).
2. Insert plastic bar G and finish securing the panels with screw (4).

5

6



1 PC

7



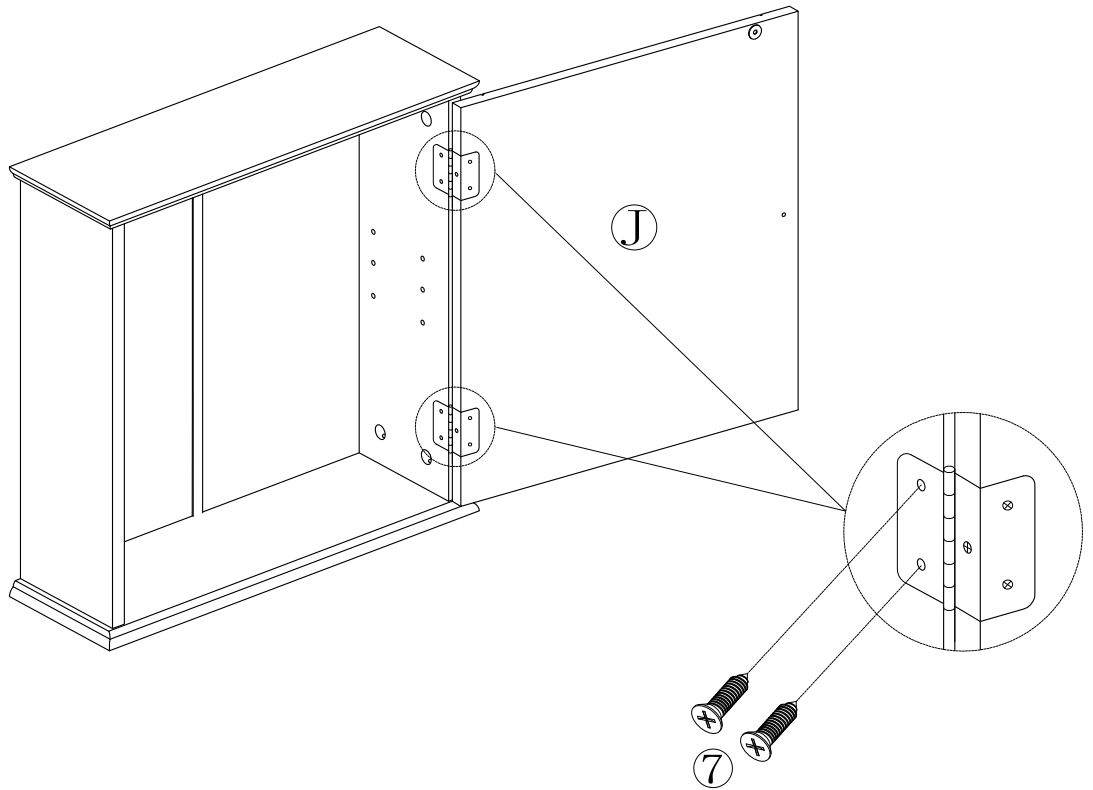
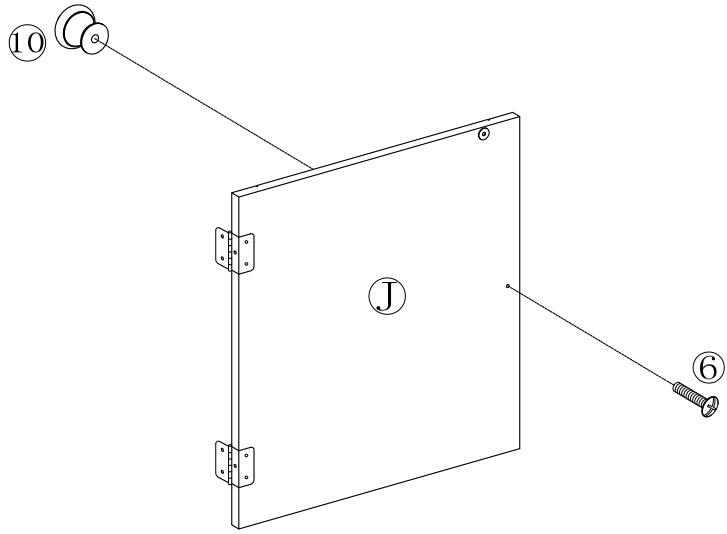
4 PCS

Ø3*12

10



1 PC



STEP 5:

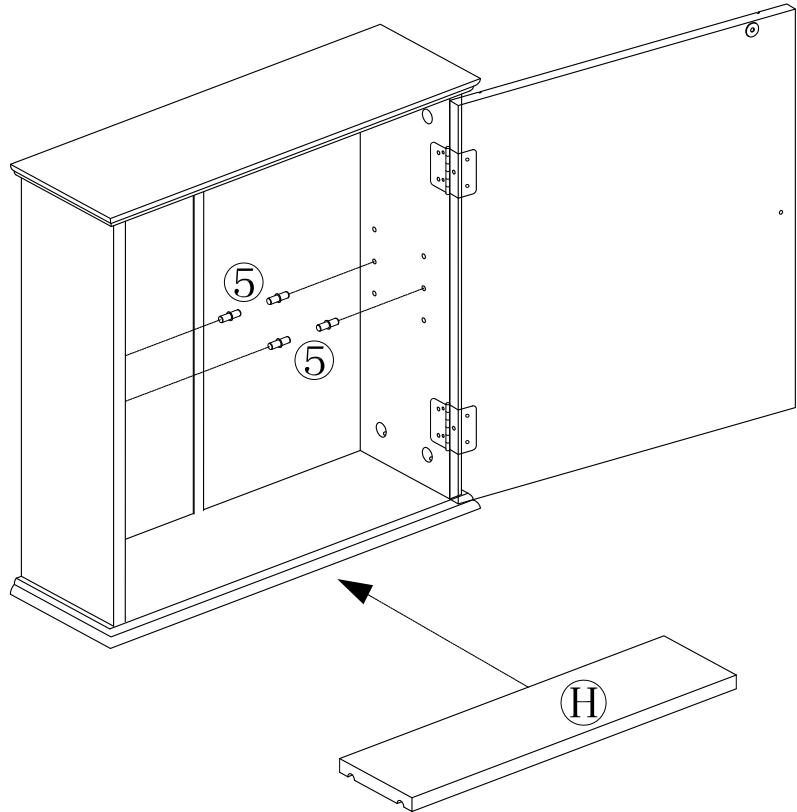
1. Attach knob (10) to door J with bolt (6).
2. Attach door J to the cabinet with screws (7).

6

5



4 PCS



STEP 6:

1. Insert shelf pins (5) into panels A & C.
2. Rest shelf H on the shelf pins.

7

8



2 PCS $\phi 4 \times 35$

9



2 PCS

Wall

