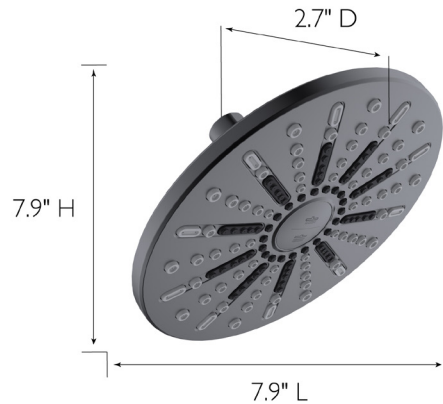


Ian 2-Function Showerhead

Matte Black



SPECIFICATIONS

MATERIAL:	ABS
DIMENSIONS:	7.9" H x 7.9" L x 2.7" D
WEIGHT:	.81 lbs.
PVD FINISH:	No
ESCUTCHEON INCLUDED:	No
VALVE INCLUDED:	No
TYPE OF SHOWER HEAD:	Rain
SHOWER HEAD FUNCTIONS (QTY):	2
SHOWER HEAD NOZZLE TYPE:	Raised
SHOWER HEAD SHAPE:	Round
SHOWER HEAD PUSH BUTTON:	Yes

WARRANTY: 5-Year limited warranty
 CUPC CERTIFICATION: cUPC
 WATERSENSE: Yes



TYPE:
JOB:
ORDER CODE:
APPROVALS: