

OWNER'S MANUAL MANUEL DE L'UTILISATEUR | MANUAL DEL PROPIETARIO



ULTIMATE GRIDDLE
SERIES

PIT BOSS®

MODEL / MODÈLE / MODELO :
PB2BGD2, PB3BGD2, PB4BGD2, PB5BGD2

PART / PIÈCE / PARTE :
10780, 10781, 10782, 10783,
10844, 10845, 10846, 10847



GRIDDLE WITH LIFT-OFF TOP, GRIDDLE WITH CABINET

IMPORTANT, READ CAREFULLY, RETAIN FOR FUTURE REFERENCE. MANUAL MUST BE READ BEFORE OPERATING!

PLAQUE CHAUFFANTE AVEC DESSUS AMOVIBLE, PLAQUE CHAUFFANTE AVEC ARMOIRE

IMPORTANT, PRENEZ CONNAISSANCE DE CE DOCUMENT ET CONSERVEZ-LE POUR RÉFÉRENCE ULTÉRIEURE. VOUS DEVEZ LIRE CE GUIDE AVANT D'UTILISER LE GRIDDLE!

PLANCHA CON PARTE SUPERIOR EXTRAÍBLE, PLANCHA CON GABINETE

IMPORTANTE, LEER DETENIDAMENTE, CONSERVAR PARA REFERENCIA FUTURA. LEA EL MANUAL ANTES DEL USO!

For outdoor and household use only. Not for commercial use.
Réservé à l'usage extérieur et résidentiel uniquement. Non destiné à un usage commercial.
Solo para uso doméstico y en el exterior. No apto para uso comercial.
Bitte nur im Freien und privat nutzen. Nicht für die gewerbliche Anwendung geeignet.
Solo per uso domestico ed esterno. Non per uso commerciale.

WARNING: PLEASE READ THE ENTIRE MANUAL BEFORE INSTALLATION AND USE OF THIS GAS APPLIANCE. FAILURE TO FOLLOW THESE INSTRUCTIONS COULD RESULT IN PROPERTY DAMAGE, BODILY INJURY OR EVEN DEATH. CONTACT LOCAL BUILDING OR FIRE OFFICIALS ABOUT RESTRICTIONS AND INSTALLATION INSPECTION REQUIREMENTS IN YOUR AREA.

AVERTISSEMENT : VEUILLEZ LIRE L'INTÉGRALITÉ DU MANUEL AVANT INSTALLATION ET UTILISATION DE CET APPAREIL À GAZ. LE NON-RESPECT DE CES INSTRUCTIONS PEUT ENTRAÎNER DES DOMMAGES MATÉRIELS, DES DOMMAGES CORPORELS OU MÊME LA MORT. CONTACTEZ LES AUTORITÉS LOCALES COMPÉTENTES CONCERNANT LES RESTRICTIONS ET LES EXIGENCES D'INSPECTION EN VIGUEUR DANS VOTRE RÉGION.

ADVERTENCIA: LEA TODO EL MANUAL ANTES DE MONTAR Y USAR ESTA BARBACOA DE GAS. SI NO SE SIGUEN ESTAS INSTRUCCIONES, PUEDEN PRODUCIRSE DAÑOS MATERIALES, LESIONES CORPORALES O INCLUSO LA MUERTE. PÓNGASE EN CONTACTO CON LOS ADMINISTRADORES DEL EDIFICIO O CON LOS BOMBEROS PARA CONSULTAR LAS RESTRICCIONES Y LOS REQUISITOS DE INSPECCIÓN DE LAS INSTALACIONES DE SU ZONA.



PB2BGD2



PB3BGD2



PB4BGD2



PB5BGD2





SAFETY INFORMATION

MAJOR CAUSES OF APPLIANCE FIRES ARE A RESULT OF POOR MAINTENANCE AND A FAILURE TO MAINTAIN REQUIRED CLEARANCE TO COMBUSTIBLE MATERIALS. IT IS OF UTMOST IMPORTANCE THAT THIS PRODUCT BE USED ONLY IN ACCORDANCE WITH THE FOLLOWING INSTRUCTIONS.

Please read and understand this entire manual before attempting to assemble, operate or install the product. This will ensure you receive the most enjoyable and trouble-free operation of your new portable gas griddle. We also advise you retain this manual for future reference.

DANGERS AND WARNINGS

<p> DANGER</p> <p>If you smell gas:</p> <ul style="list-style-type: none">• Shut off gas to the appliance.• Extinguish any open flame.• Open lid.• If odor continues, keep away from the appliance and immediately call your gas supplier or your fire department.	<p> WARNING</p> <ul style="list-style-type: none">• Do not store or use gasoline or other flammable liquids or vapors in the vicinity of this or any other appliance.• An LP cylinder not connected for use shall not be stored in the vicinity of this or any other appliance.	<p>GRILL INSTALLATION CODES</p> <ul style="list-style-type: none">• The installation must conform with local codes or, in the absence of local codes, with either the national fuel gas code, ANS Z 223.1/NFPA 54, Natural gas and propane installation code, CSA B149.1, or propane storage and handling code, B149.2.• LP gas grill models are designed for use with a standard 20 lbs (9 kg) liquid propane gas cylinder, to the dimensions of 18-1/4" (46.35 cm) high, 12-1/4" (31 cm) diameter., not included with grill. Never connect your gas grill to an LP gas cylinder that exceeds this capacity.
---	--	---

You must contact your local home association, building or fire officials, or authority having jurisdiction, to obtain the necessary permits, mission or information on any installation restrictions, such as any grill being installed on a combustible surface, inspection requirements or even ability to use, in your area.

1. A minimum clearance of 1,270 mm (50 inches) from combustible constructions to the sides of the grill, and 1,270 mm (50 inches) from the back of the grill to combustible constructions must be maintained. **Do not install appliance on combustible floors, or floors protected with combustible surfaces unless proper permits and permissions are obtained by authorities having jurisdiction.** Do not use this appliance indoors, in an enclosed or unventilated area, inside homes, vehicles, tents, garages. This wood pellet appliance must not be placed under overhead combustible ceiling or overhang. Keep your grill in an area clear and free from combustible materials, gasoline and other flammable vapors and liquids.

Should a grease fire occur, turn the griddle OFF until the fire is out. Do not throw water on. Do not try to smother the fire. Use of an all-class (class ABC) approved fire extinguisher is valuable to keep on site. If an uncontrolled fire does occur, call the Fire Department.

2. The liquefied petroleum (LP) cylinder must be constructed and marked in accordance with the specifications for LP Gas Cylinders of the U.S. Department of Transportation (D.O.T.) or the National Standard of Canada, CAN/CSA-B339, Cylinders, Spheres and Tubes for Transportation of Dangerous Goods; and Commission. The LP gas tank must have a shutoff valve, terminating in an LP gas supply tank valve outlet, that is compatible with a Type 1 tank connection device. The LP gas tank must also have a safety relief device that has a direct connection with the vapor space of the tank. The tank supply system must be arranged for vapor withdraw. The LP gas tank used must have a collar to protect the tank valve.
3. You must use an OPD gas tank which offers an Overfill Prevention Device. This safety feature prevents the tank from being overfilled which can cause malfunction of the LP gas tank, pressure regulator and/or grill.
4. This outdoor griddle is not intended for installation in/on recreation vehicles or boats.

Never use this appliance in an enclosed space, such as a camper, tent, car, boat or home. This appliance is not intended for and should never be used as a heater.

5. This appliance is not recommended for children, persons with reduced physical, sensory or mental capabilities, or lack of experience and knowledge, unless they are under direct supervision or instruction by a person responsible for their safety.
6. Parts of the barbecue may be very hot, and serious injury may occur. Keep young children and pets away while in use. Do not touch hot surfaces. Use heat-resistant gloves, long-handled tongs, or cooking mitts at all times, since the griddle will become very hot.
7. Never use the griddle without the grease cup installed and hung under the firebox. Without the grease cup, hot grease and debris could leak downward and produce a fire hazard.
8. Do not obstruct the flow of combustion and ventilation air to this appliance. Keep the burner tube and portholes clean and free from debris. Clean before use. Regular care and maintenance is required to prolong the lifespan of your unit.
9. Always check for gas leaks when you connect and disconnect the regulator to the gas cylinder, especially after a period of storage (for example, over winter). Check all connections for leaks with a soapy water solution and brush. Never use an open flame to check for leaks.
10. Clean and inspect the gas regulator before each use of the outdoor cooking gas appliance. Replace the gas regulator prior to being used if there is evidence of excessive abrasion or wear. Use only the gas regulator assembly that has been supplied with this gas griddle. Do not use a regulator from another manufacturer. The replacement hose assembly shall be that specified by the manufacturer.

Do not use lava rock, wood chunks, charcoal, lighter fluid, alcohol or other similar chemicals for lighting or relighting. Keep all such substances and liquids WELL away from appliance when in use.

11. Operate this appliance using propane gas only, which is also specified on the rating label on the unit. Do not attempt to operate your griddle on other gases. Do not attempt to convert this LP unit to natural gas. Failure to follow this warning could lead to fire, bodily harm, and will void your warranty.
12. The location of the burner tube with respect to the orifice is vital for safe operation. Check to ensure the orifice is inside the burner tube before using the gas grill. If the burner tube does not fit over the valve orifice, lighting the burner may cause explosion and/or fire.

PROPANE GAS WARNINGS

1. Ensure the gas cylinder is purchased by a reputable supplier. An incorrectly filled or an overfilled LP gas cylinder can be dangerous. The overfilled condition combined with the warming of the LP gas cylinder (a hot summer day, gas cylinder left in the sun, etc.) can cause LP gas to be released since the temperature increase causes gas to expand. Gas released from the cylinder is flammable and can be explosive.
2. Do not use an LP gas cylinder if it has a damaged valve or shows signs of dents, gouges, bulges, fire damage, corrosion, leakage, excessive rust, or other forms of visual external damage; it may be hazardous and should be checked immediately by a liquid propane supplier.

If you see, smell, or hear the hiss of gas escaping from the cylinder, do not attempt to light appliance. Extinguish any open flame. Disconnect from fuel supply.

3. Do not connect or disconnect the gas cylinder while the unit is in use or is still hot. When griddle is not in use, ensure regulator knob is turned to OFF and disconnect the gas cylinder. Never move or transport the unit while the gas cylinder is attached. Do not store a spare LP gas cylinder under or near the appliance.
4. Cylinders must be stored outdoors out of reach of children and must not be stored in a building, garage, or any other enclosure area.

CARBON MONOXIDE ("THE SILENT KILLER")

Always use a gas appliance outdoors in an open area with good ventilation to avoid breathing toxic fumes from combustion or leaking gas. Carbon monoxide is a colorless, odorless, tasteless gas produced by burning gas, wood, propane, charcoal or other fuel. Carbon monoxide reduces the blood's ability to carry oxygen. Low blood oxygen levels can result in headaches, dizziness, weakness, nausea, vomiting, sleepiness, confusion, loss of consciousness or death. Follow these guidelines to prevent this colorless, odorless gas from poisoning you, your family, or others:

- See a doctor if you or others develop cold or flu-like symptoms while cooking or in the vicinity of the appliance. Carbon monoxide poisoning, which can easily be mistaken for a cold or flu, is often detected too late.
- Alcohol consumption and drug use increase the effects of carbon monoxide poisoning.

Carbon monoxide is especially toxic to mother and child during pregnancy, infants, the elderly, smokers, and people with blood or circulatory system problems, such as anemia, or heart disease.

SAFETY LISTING

In accordance with the procedures and specifications listed in the ANS Z21.58-2018 / CSA 1.6-2018 "Outdoor Cooking Gas Appliances." Pit Boss® Grills cooking appliances have been independently tested and listed by CSA (an accredited testing laboratory) to CSA standards.





COPYRIGHT NOTICE

Copyright 2021. All right reserved. No part of this manual may be copied, transmitted, transcribed, stored in a retrieval system, in any form or by any means without expressed written permission of,

Dansons

3411 North 5th Avenue, Suite 500, Phoenix, AZ, USA 85013

www.pitboss-grills.com

Customer Care

USA: (480) 923-9630

Canada (Toll-Free): 1-877-942-2246

TABLE OF CONTENTS

- Safety Information 2
- Connecting To A Gas Supply
 - Gas Cylinder Requirements 6
 - Installing A Gas Cylinder 6
 - Preparation For Use – Leak Testing..... 7
 - Disconnecting A Gas Cylinder 8
- Operating Instructions
 - Griddle Environment 8
 - First Use – Griddle Burn-Off 9
 - Lighting Procedure..... 9
 - Manual Lighting Procedure..... 10
 - Shutting Off Your Griddle 10
- Lifting The Griddle Off The Cart 11
- Using The Trash Bag Holder 12
- Care & Maintenance 13
- Tips & Techniques 14
- Troubleshooting 15
- Replacement Parts..... 16
- Warranty 20

ENGLISH

CONNECTING TO A GAS SUPPLY

GAS CYLINDER REQUIREMENTS

The griddle is set and tested with liquid propane gas only. The regulator supplied is set for 27.94 cm (11 inch) water column (WC) and is for use with liquid propane (LP) gas only. The factory-supplied regulator and hose must be used with a 9 kg (20 lbs) LP gas cylinder, to the dimensions of 18-1/4" (46.35 cm) high, 12-1/4" (31 cm) diameter. **Contact your gas supplier for a special regulator for bulk gas that fuels other appliances.**

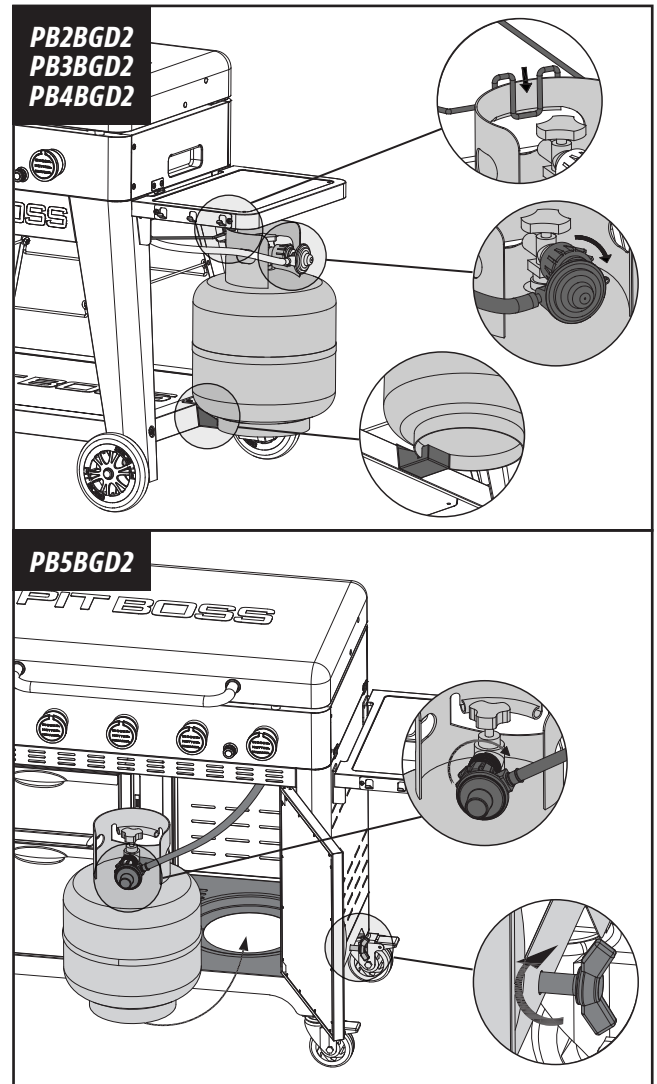
CAUTION: It is important to inspect the full length of the gas line hose. If it is evident there is excessive abrasion or wear, or the hose is cut, the hose must be replaced prior to the appliance being used. The replacement hose assembly shall be that specified by the manufacturer.

INSTALLING A GAS CYLINDER

1. Make sure the gas cylinder valve is in the CLOSED position.
 - **PB2BGD2 / PB3BGD2 / PB4BGD2** - From the side of the cart, place foot ring of gas cylinder onto the gas cylinder bracket. Use the gas cylinder wire retainer to secure the gas cylinder in a fixed position.
 - **PB5BGD2** - Place gas cylinder onto the debossed circle of bottom shelf. Rotating clockwise, use the gas cylinder bolt to hold the gas cylinder in position.

On all units, it is important to ensure the gas cylinder is completely upright, as it is unsafe to operate the griddle if the gas cylinder is not installed properly.

2. Ensure the regulator valve on the griddle is completely closed by turning the knob clockwise to the "O" (OFF) position.
3. Remove the protective caps from the regulator valve opening and the top of the gas cylinder. Save the caps. Check the gas cylinder to assure it has proper external male threads (type 1 connection per ANS Z21.81).
4. Insert the gas cylinder valve into the threaded opening of the regulator valve. Turn the quick coupling nut clockwise until firm. Hand-tighten only.
5. Gas cylinder is now installed.



The outdoor grill, when installed, must be electrically grounded in accordance with local codes or, in the absence of local codes with the National Electrical Code ANS/NFPA 70, or Canadian Electrical Code, CSA C22.1.

1. Do not store a spare LP gas cylinder under or near this appliance.
2. Never fill the gas cylinder beyond 80 percent full.

3. If the information in 1) and 2) is not followed exactly a fire causing death or serious injury may occur.
4. Place dust cap on cylinder valve outlet whenever the cylinder is not in use. Only install the type of dust cap on the cylinder valve outlet that is provided with the cylinder valve. Other types of caps or plugs may result in leakage of propane.
5. The LP gas cylinder used must have a collar to protect the gas cylinder valve.
6. Always keep the LP cylinder at 90 degrees (upright) orientation to provide vapor withdrawal.

NOTE: The normal flow of gas through the regulator and hose assembly can create a humming noise. A low volume of noise is perfectly normal and will not interfere with operation of the grill. If humming noise is loud and excessive you may need to purge air from the gas line or reset the regulator excess gas flow device. This purging procedure should be done every time a new LP gas tank is connected to your grill.

PREPARATION FOR USE – LEAK TESTING

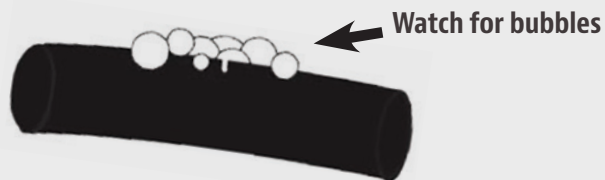
A leak test is used to determine the integrity of a seal. Before using your gas griddle, perform a leak test on the connection between the regulator and the gas cylinder to reduce the risk of serious bodily injury or death from fire or explosion. A leak test should be performed a minimum of once a season, as well as:

- before lighting your griddle for the first time,
- every time the gas cylinder has been changed,
- after travel, especially over rough or bumpy roads,
- after a prolonged period of storage or non-use.

HOW TO PERFORM A LEAK TEST

Supplies Required:

- 1 x Bowl (*empty, clean*)
- 1 x Paint Brush (*clean*)
- Dish Washing Liquid
- Water



Procedure:

1. Position the griddle in a well-ventilated area. Ensure the griddle is cool to the touch, and not in use. Verify that the regulator valve is turned to the OFF position and that the gas cylinder is tightened securely to the regulator.

IMPORTANT: Ensure there is no open flame or smokers nearby.

2. Mix a solution of one part of water with one part of dish washing liquid in a bowl. The solution will make bubble, as it will be concentrated.
3. Use a paint brush to apply the solution onto the seal between the regulator and the gas cylinder. Visually inspect for streams of bubbles coming from a defect or break in the seal.

NOTE: If a leak appears, repeat gas cylinder installation procedure, but do not over-tighten. Hand-tighten only. Repeat leak test after re-installation to ensure seal is secure.

IMPORTANT: Do not use the gas griddle if you detect a gas leak that cannot be corrected by using the leak test procedure. Contact your local Fire Department or Customer Care for alternative measures of testing to ensure proper precaution.

DISCONNECTING A GAS CYLINDER

1. Turn all Control Knobs to "O" (OFF) position on the griddle. Ensure the Regulator Valve on the gas cylinder is completely closed by turning the knob to the CLOSED position.
2. Turn the quick coupling nut counter-clockwise (by hand) to disconnect from the regulator valve opening. Replace the protective caps on the Regulator Valve opening and the top of the gas cylinder for storage (if not empty).

NOTE: If storing the griddle indoors, leave the gas cylinder outdoors.

WARNING: Do not fold up or transport griddle with gas cylinder attached. The cylinder may loosen off the valve and cause a gas leak, possibly resulting in an explosion, fire, or severe bodily harm. Disconnect gas cylinder first before travel or storage.

OPERATING INSTRUCTIONS

GRIDDLE ENVIRONMENT

1. *WHERE TO SET-UP THE GRIDDLE*

With all outdoor appliances, outside weather conditions play a big part in the performance of your griddle and the cooking time needed to perfect your meals. All Pit Boss® Grills units should keep a minimum clearance of 1,270 mm (50 inches) from combustible constructions, and this clearance must be maintained while the unit is operational. This appliance must not be placed under overhead combustible ceiling or overhang. Keep your griddle in an area clear from combustible materials, or other flammable vapors and liquids.

2. *COLD WEATHER COOKING*

As it becomes cooler outside, that does not mean that grilling season is over! The crisp cool air and heavenly aroma of grilled foods will help cure your winter blues. Follow these suggestions on how to enjoy your griddle throughout the cooler months:

- Organize – Get everything you require ready in the kitchen before you head outdoors. During the winter, move your griddle to an area that is out of the wind and direct cold. Check local bylaws regarding the proximity of your griddle in relation to your home and/or other structures. Put everything you need on a tray, bundle up tight, and get it done!
- To help keep track of the outside temperature, place an outdoor thermometer close to your cooking area. Keep a log or history of what you cooked, the outdoor temperature, and the cooking time. This will help later down the road to help you determine what to cook and how long it will take.
- Have a heated platter or a dish cover ready to keep your food warm while making the trip back inside.

3. *HOT WEATHER COOKING*


As it becomes warmer outdoors, the cooking time will decrease. Follow these few suggestions on how to enjoy your griddle throughout the hot months:

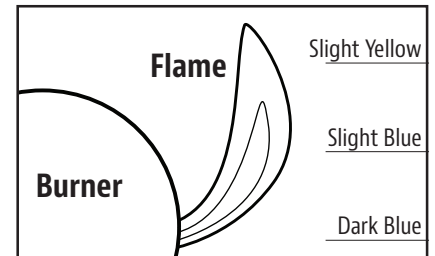
- Adjust your cooking temperatures downward. This helps to avoid unwanted flare-ups.
- Use a meat thermometer to determine the internal temperature of your foods. This helps in preventing your meat from over cooking and drying out.
- You can keep foods hot by wrapping them in foil, and placing them in an insulated cooler. Stuff crumpled up newspaper around the foil and this will keep food hot for 3 to 4 hours.

FIRST USE – GRIDDLE BURN-OFF

Before using your griddle for the first time with food, it is important to complete a burn-off. Start the griddle and operate for a minimum of 15 minutes on HIGH to burn-off the unit. This will “heat clean” the internal components, dissipate odors and rid it of any foreign matter.

LIGHTING PROCEDURE

1. Open lid during lighting.
2. Set all control knobs to the “O” position.
3. Open the cylinder/gas valve according to the operating instructions on tank.
4. Push and turn the burn control knob counter-clockwise to “ (light position)”.
5. Push igniter button until burner lights.
6. If ignition does not occur within 5 seconds, turn valve to “O”, wait 5 minutes, and repeat lighting instruction. After lighting, observe the burner flame. Make sure all burner ports are lit and flame height matches illustration shown.
7. If the above points do not work, follow **Manual Lighting Procedure**.



If the burner goes out during operation, turn the control knobs to the “O” (OFF) position. Wait five minutes before attempting to relight to allow any accumulated gas to dissipate.

IGNITER FAILURE PROCEDURE

If for any reason your igniter fails after three of four attempts, check the following steps, or start your griddle using the manual method.

1. Ensure the control knobs are turned to the OFF position. Allow any accumulated gas to dissipate.
2. After five minutes, check the following:
 - Visually confirm that the igniter is working by pushing the igniter button and looking at the igniter tip for a spark. If no spark, adjust the distance between the igniter (electrode) tip and burner to 4.5 mm (3/16 in).
 - Visually confirm that the burner tube and portholes are not obstructed. If blocked, follow **Care & Maintenance** instructions.
3. If the above points do not work, follow **Troubleshooting** instructions.

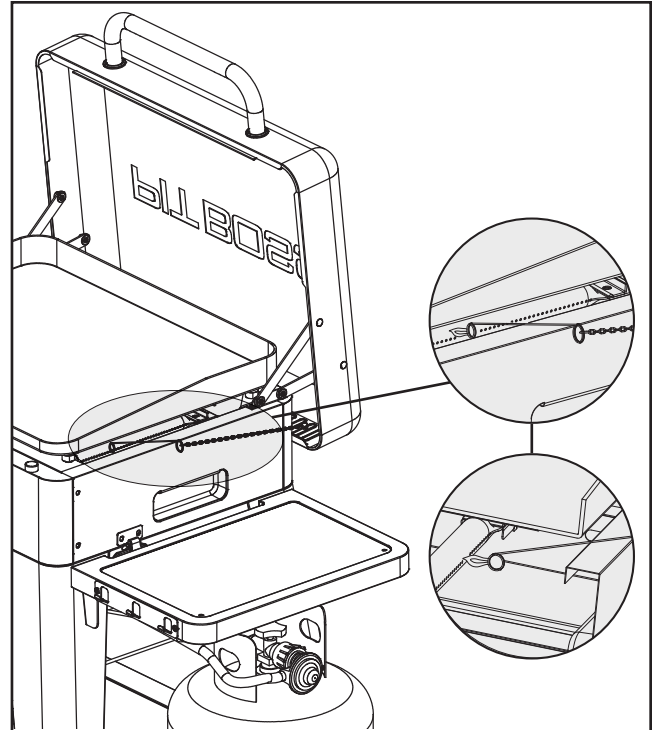
MANUAL LIGHTING PROCEDURE

1. Open lid during lighting.
2. Set all control knobs to the "O" position.
3. Open the cylinder/gas valve according to the operating instructions on tank.
4. Quickly and carefully, use a lit match secured with the lighting rod (included with the grill) to light the burner. Gain access to the burner from beneath the Hot Plate. Position lit match near the side of the burner.

CAUTION: Do not attempt to light another area of the burner. This can cause injury.

5. Push and turn the burner control knob counter-clockwise to "🔥 (light position)", hold this knob in for 10 seconds after the burner is lit. You will hear the "snapping" sound of the spark until after the knob is released.

NOTE: Do not use spirit, lighter-fluid or kerosene for lighting or refreshing a fire in your griddle.



6. If the burner does not light within 5 seconds, turn burner control knob to "O", wait 5 minutes, and repeat lighting instruction. After lighting, observe the burner flame. Make sure all burner ports are lit and flame height matches illustration shown previously.

NOTE: Each burner lights independently - repeat same steps for other burners.

WARNING: Never lean over the cooking area while lighting your gas grill. Keep your face and body a safe distance (at least 457 mm / 18 inches) from the cooking grid surface when lighting your grill by match.

7. If the above points do not work, see *Troubleshooting*.

SHUTTING OFF YOUR GRIDDLE

1. When finished cooking, turn gas cylinder valve to the CLOSED position, and allow the regulator knob to pop out. This safety feature locks the regulator knob to ensure that the gas is no longer flowing.
2. Turn control knobs to the "O" position.

NOTE: A "poof" sound is normal as the last of the LP gas is burned.

3. Disconnect gas supply by following the *Disconnect A Gas Cylinder* instructions.

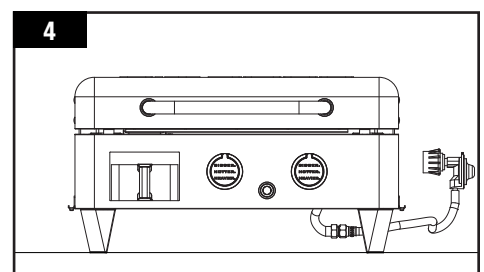
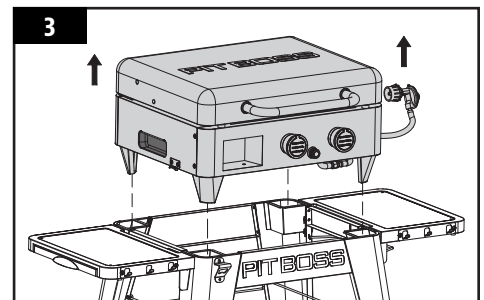
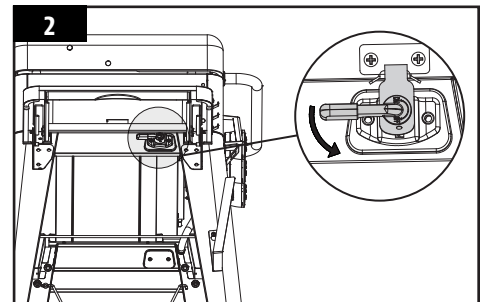
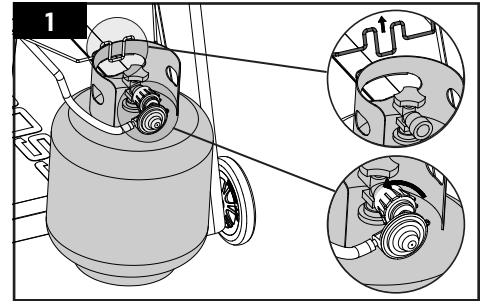
WARNING: Allow the griddle to cool completely, and remove the gas cylinder, before moving, travel, or for storage.

LIFTING THE GRIDDLE OFF THE CART

Your griddle can quickly and easily be lifted off the cart for tailgating or travel. Simply follow the assembly instructions in reverse or the following summary:

IMPORTANT: Always ensure the griddle is completely cooled, disconnected from a gas supply, and that the grease cup is removed.

1. Disconnect the unit from the gas supply. Detach the pressure regulator assembly from the cylinder valve by turning the quick coupling nut counter-clockwise. Remove the Gas Cylinder Wire Retainer. Remove the gas cylinder.
2. Turn the latches (one of each side) to unlock the Firebox from the Cart.
3. Using two people, carefully lift the Griddle off the Cart using the inset grooves on each side. Take special care of the regulator and hoses as you lift.
4. Place the Firebox on the ground, or to desired location, immediately to avoid injury to yourself or damage to the unit.

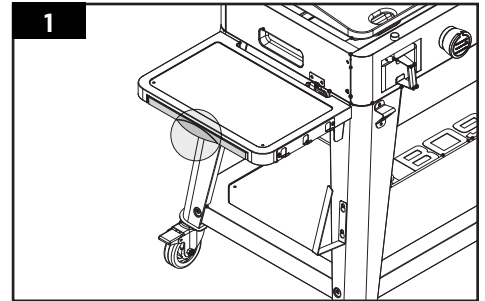


USING THE TRASH BAG HOLDER

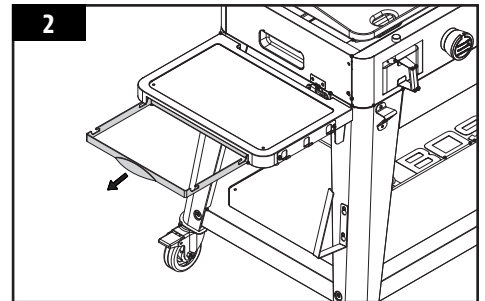
Trash collection has never been easier with the Trash Bag Holder. Located under the left Side Shelf, this stainless steel frame is easy to clean and works with a standard, regular-sized plastic grocery bag, typically around 10–20 litres (2.5–5 gallons) in volume. The frame is also designed to hold most standard trash bags (with or without handles) up to 60 litres (16 gallons) in volume.

IMPORTANT: Be aware of how much weight is put into the bag on the Trash Bag Holder. Change the bag often to avoid compromising the integrity of the Trash Bag Holder structure and components.

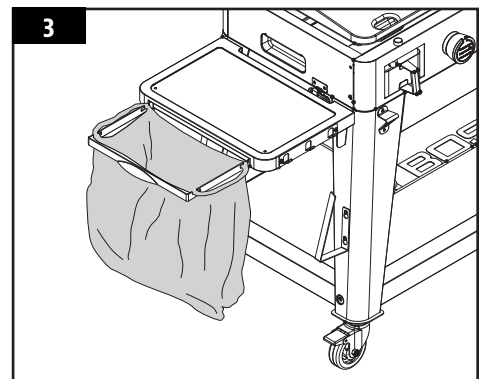
1. Locate the Trash Bag Holder grip on the left Side Shelf.



2. Pull out the Trash Bag Holder to expose the frame brackets.



3. Add a plastic grocery bag or standard trash bag to the Trash Bag Holder. Use the handles of a grocery bag to loop around the frame brackets, or loop the trash bag around three sides of the frame to keep in place.



CARE AND MAINTENANCE

CHECKING THE GAS LEVEL

To check the amount of fuel in a gas cylinder, the griddle must be in operation. Place your hand at the top of the gas cylinder and slowly move down the side until the gas cylinder feels cool to the touch. This will indicate the approximate amount of gas in your gas cylinder; if $\frac{3}{4}$ empty, replace with a full gas cylinder.

IMPORTANT: Do not use charcoal briquettes or any flammable material with your griddle. Use of such material will void your warranty and may lead to a fire, explosion and bodily harm.

CLEANING FREQUENCY

Any Pit Boss® unit will give you many years of flavorful service with minimum cleaning. Follow these cleaning and maintenance tips to service your griddle:

1. *BURNER COMPONENTS*

- Clean the burner whenever heavy build-up is found, to ensure that there are no signs of blockage (debris, insects) on the burner tube or in the burner portholes. After periods of storage, spiders or small insects can build nests, webs, and lay eggs in the burner tube, obstructing the flow of gas to the burner. A clogged tube can lead to a fire beneath the appliance. If storing the grill or before an extended period of non-use, remove the burner and wrap with aluminum foil to reduce the risk of insects entering the burner holes.
- The burner has been preset for optimal flame performance. A blue flame, possibly with a small yellow tip, is the result of the optimal air and gas mixture. If flames are excessively yellow, orange or irregular, clean the oil and food deposits on the burner surface and the burner portholes to increase airflow.

2. *COOKING COMPONENTS*

- The Hot Plate of your griddle is ceramic-coated. The best utensils to use are wood, silicone, or nylon, as these materials will reduce the wear on the cooking surface.
- The unit comes preseasoned from the factory, but it is important to clean and season the Hot Plate after each use to prevent rust, extend the life of your griddle, and create a non-stick cooking surface. The seasoning of the griddle is a continuous process that must be repeated over the life of your griddle to ensure the best cooking experience and longest life of use.
 1. Clean the Hot Plate after each use, using a spatula or scraper to remove all food and debris.
 2. Liberally apply an even coat of cooking oil to the cooking surface. Vegetable, olive, peanut, coconut, and sesame oils are all suitable for seasoning your griddle.
 3. Allow to cool in a cool, dry location.

3. *GRIDDLE EXTERIOR*

- Check your Grease Cup often, and clean out as necessary. Keep in mind the type of foods that are cooked.
- Use a cover to protect your griddle for complete protection! A cover is your best protection against weather and outside pollutants. When not in use or for long-term storage, keep the unit under a cover in a garage or shed, with the gas cylinder removed (cylinders must be stored outdoors).

CLEANING TIME TABLE (NORMAL USE)

ITEM	CLEANING FREQUENCY	CLEANING METHOD
Hot Plate	After each use	Burn off excess, scrub pad & soapy water, season with cooking oil
Grease Cup	After each use	Empty, scrub pad & soapy water
Burner Tube, Portholes	Every 5-6 uses	Dust, scrub pad & soapy water
Burners	Every 5-6 uses	Scrub pad & soapy water
Cart	As needed	Non-abrasive cloth & soapy water

TIPS & TECHNIQUES

Follow these helpful tips and techniques, passed on from Pit Boss® owners, our staff, and customers just like you, to become more familiar with your grill:

1. *FOOD SAFETY*

- Use different platters and utensils for the cooked meat than the ones you used to prepare or transport the raw meat out to the grill. This will prevent cross contamination of bacteria. Each marinade or sauce should have its own utensil.
- Keep hot foods hot (above 60°C / 140°F), and keep cold foods cold (below 3°C / 37°F). Cooked foods should not be left out in the heat for more than an hour. Do not leave hot foods out of refrigeration for more than two hours.
- A marinade should never be saved to use at a later time. If you are going to use it to serve with your meat, be sure to bring it to a boil before serving.
- Defrost and marinate meats by refrigeration. Do not thaw meat at room temperature or on a counter top. Bacteria can grow and multiply rapidly in warm, moist foods. Wash hands thoroughly with hot, soapy water before starting any meal preparation and after handling fresh meat, fish and poultry.

2. *COOKING PREPARATION*

- Be prepared, or ***Mise en Place***. This refers to preparing the cooking recipe, fuel, accessories, utensils, and all ingredients you require at grill side before you start cooking. Also, read the entire recipe, start to finish, before lighting the grill.
- A BBQ floor mat is very useful. Due to food handling accidents and cooking spatter, a BBQ floor mat would protect a deck, patio, or stone platform from the possibility of grease stains or accidental spills.

3. *GRILLING TIPS AND TECHNIQUES*

- Always use a meat thermometer to determine the internal temperature of the foods you are cooking. It's a good idea to put cooked food onto a heated platter, keeping the food warm. Red meats, such as steak and roasts, benefit from resting for several minutes before serving. It allows the juices that were driven to the surface by heat to ease back to the center of the meat, adding more flavor.
- Sugar-based sauces are best applied near the end of cooking to prevent burning and flare-ups.
- Use a set of long-handled tongs for turning meats, and a spatula for turning burgers and fish. Using a piercing utensil, such as a fork, will prick the meat and allow the juices to escape.

TROUBLESHOOTING

Proper cleaning and maintenance will prevent common operational problems. When your griddle is operating poorly, or on a less frequent basis, the following troubleshooting tips may be helpful. For FAQ, please visit www.pitboss-grills.com. You may also contact your local dealer or Customer Care for assistance.

WARNING: Always ensure the griddle is completely cooled to avoid injury.

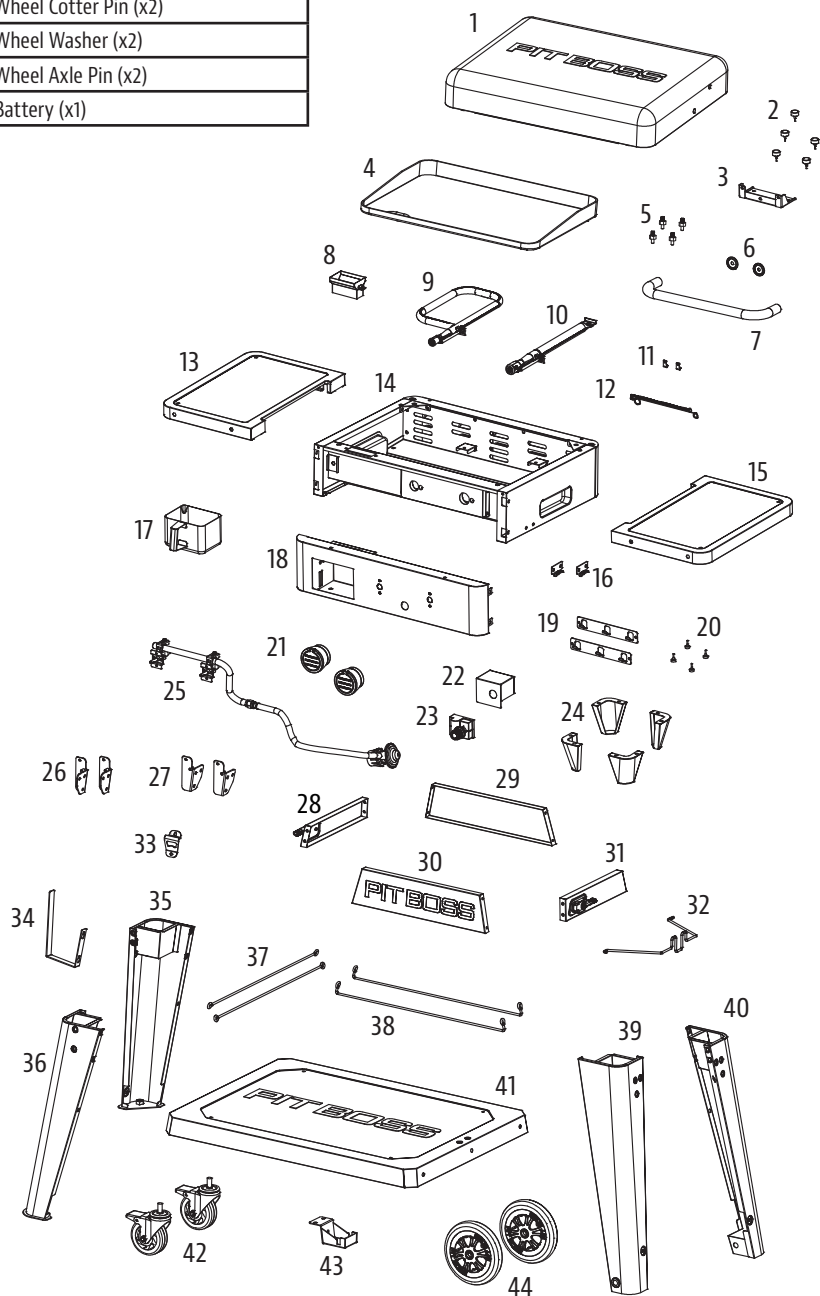
PROBLEM	CAUSE	SOLUTION
Burner Will Not Light	The ignition wire is broken	Contact Customer Care for assistance or a replacement part.
	No igniter spark on electrode	Adjust the electrode. Contact Customer Care for assistance or a replacement part.
	No gas supplied	Check the regulator valve. Check connection for leak.
Grease Fire / Frequent Flare-Ups	Grilling fatty meats	Grill fatty meats when the cooking surface is cold, and the knobs are on the "LOW" setting.
	Cooking temperature	Attempt cooking at a lower temperature. Grease does have a flash point. Keep the temperature under 176°C / 350°F when cooking highly greasy food.
	Water sprayed on gas flames	Do not spray water on gas flames.
Burner blows out	No Gas Flow	Check gas fuel connection, and ensure it is open. Replace gas cylinder if empty.
	Gusting Or High Winds	Turn front of grill away from wind or increase flame height.
Low heat on "HIGH"	Ports blocked	Clear ports of any obstructions.
	Gas cylinder empty	Refill the gas cylinder.
Gas Leakage	Improper Installation	Turn the regulator knob to the "0" position, and allow the regulator knob to pop out. Remove the gas cylinder. Re-install and tighten. Perform leak test to ensure proper seal. Replace gas cylinder if damaged.
	Seal Failure	Gas cylinder has corroded, rusted, or has been mishandled. Replace gas cylinder.
	Regulator Failure	Regulator needs to be replaced. Contact Customer Care for a replacement part.
Burner Flames Are Yellow Or Orange	Poor Air Flow	Check burner tube and burner ports for spider webs or other obstructions. Follow Care and Maintenance instructions to clean the burner tube.
	Burner Obstruction	
	Grease Cup Is Full, Spilling	Empty grease cup and re-install. Follow Care and Maintenance instructions.
	Regulator Valve Is Off	Check the regulator valve connection to the gas cylinder. Remove, then reinstall. Perform leak test.
	Burner Is Dirty	Turn regulator knob to HIGH for five minutes, and burn-off the unit. Follow Care and Maintenance instructions.

REPLACEMENT PARTS

PB2BGD2

Part#	Description
1	Lid (x1)
2	Lid Support Rubber (x6)
3	Lid Support (x1)
4	Hot Plate (x1)
5	Hot Plate Leg Screws (x4)
6	Lid Handle Bezel (x2)
7	Lid Handle (x1)
8	Grease Run Out (x1)
9	P Burner (x1)
10	Right Burner (x1)
11	Lighting Rod Retaining Plate (x2)
12	Lighting Rod (x1)
13	Side shelf - Left (x1)
14	Firebox Assembly (x1)
15	Side Shelf - Right (x1)
16	Latch Hook (x2)
17	Grease Cup (x1)
18	Firebox Control Panel (x1)
19	Side Shelf Hook Panel (x2)
20	Side Shelf Rubber (x4)
21	Control Knob (x2)
22	Igniter Heat Shield (x1)
23	Igniter (x1)
24	Firebox Feet (x4)
25	Valve Assembly (x1)
26	Side Shelf Bracket - Left (x2)
27	Side Shelf Bracket - Right (x2)
28	Cart Side Panel - Left (x1)
29	Cart Back Panel (x1)
30	Cart Front Panel (x1)
31	Cart Side Panel - Right (x1)
32	Gas Cylinder Wire Retainer (x1)
33	Bottle Opener (x1)
34	Paper Towel Hook (x1)
35	Support Leg for Caster - Back (x1)
36	Support Leg for Caster - Front (x1)
37	Cart Bar A (x2)
38	Cart Bar B (x2)
39	Support Leg for Wheel - Front (x1)
40	Support Leg for Wheel - Back (x1)
41	Bottom Shelf (x1)
42	Locking Caster (x2)
43	Gas Cylinder Support Bracket (x1)
44	Wheel (x2)

Part#	Description
A	Screw (x40)
B	Screw (x4)
C	Washer (x23)
D	Locking Washer (x23)
E	Screw (x4)
F	Wheel Cotter Pin (x2)
G	Wheel Washer (x2)
H	Wheel Axle Pin (x2)
I	Battery (x1)

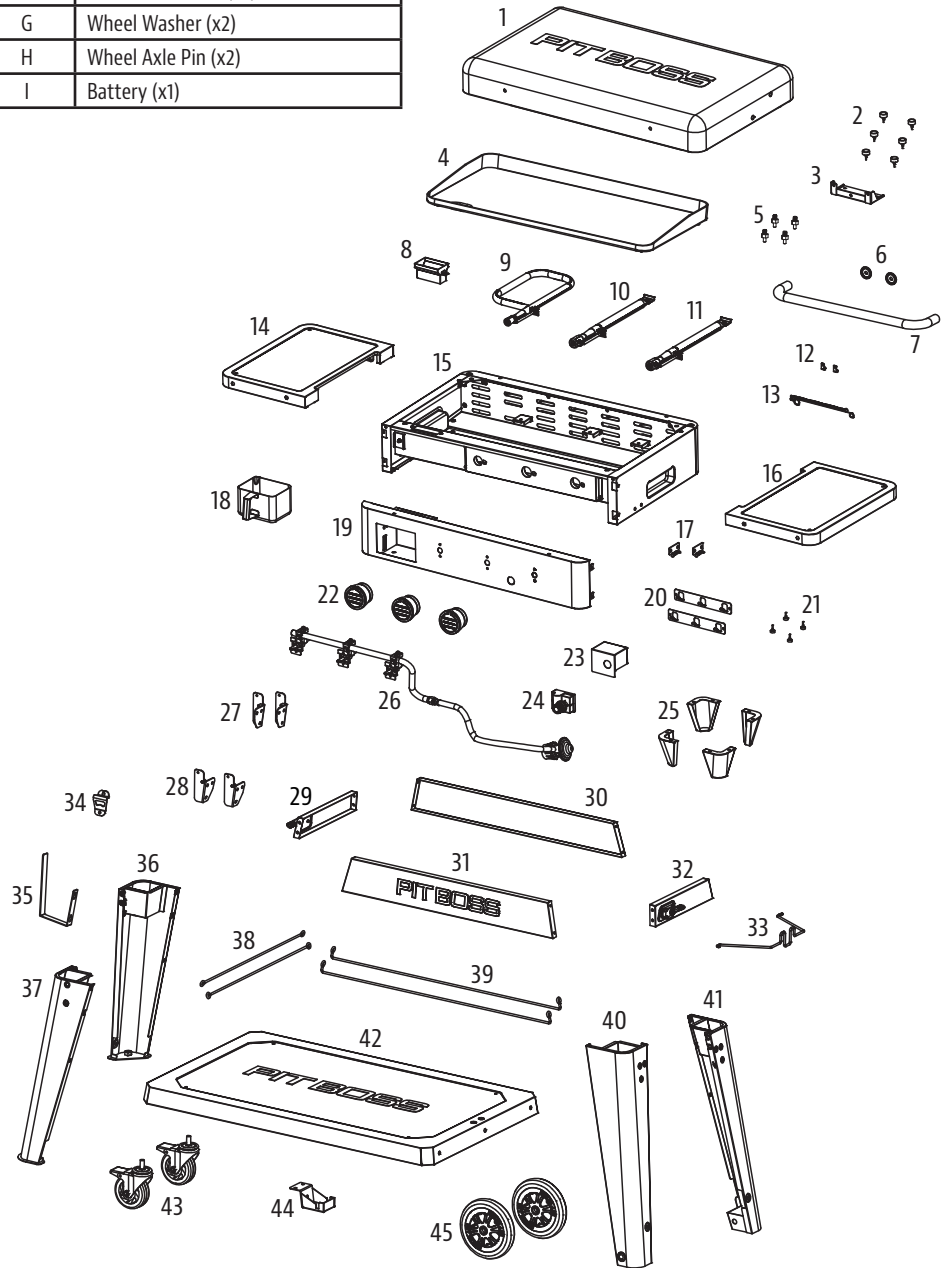
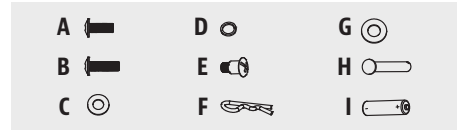


NOTE: Due to ongoing product development, parts are subject to change without notice.

PB3BGD2

Part#	Description
1	Lid (x1)
2	Lid Support Rubber (x6)
3	Lid Support (x1)
4	Hot Plate (x1)
5	Hot Plate Leg Screws (x4)
6	Lid Handle Bezel (x2)
7	Lid Handle (x1)
8	Grease Run Out (x1)
9	P Burner (x1)
10	Middle Burner (x1)
11	Right Burner (x1)
12	Lighting Rod Retaining Plate (x2)
13	Lighting Rod (x1)
14	Side shelf - Left (x1)
15	Firebox Assembly (x1)
16	Side Shelf - Right (x1)
17	Latch Hook (x2)
18	Grease Cup (x1)
19	Firebox Control Panel (x1)
20	Side Shelf Hook Panel (x2)
21	Side Shelf Rubber (x4)
22	Control Knob (x3)
23	Igniter Heat Shield (x1)
24	Igniter (x1)
25	Firebox Feet (x4)
26	Valve Assembly (x1)
27	Side Shelf Bracket - Left (x2)
28	Side Shelf Bracket - Right (x2)
29	Cart Side Panel - Left (x1)
30	Cart Back Panel (x1)
31	Cart Front Panel (x1)
32	Cart Side Panel - Right (x1)
33	Gas Cylinder Wire Retainer (x1)
34	Bottle Opener (x1)
35	Paper Towel Hook (x1)
36	Support Leg for Caster - Back (x1)
37	Support Leg for Caster - Front (x1)
38	Cart Bar A (x2)
39	Cart Bar B (x2)
40	Support Leg for Wheel - Front (x1)
41	Support Leg for Wheel - Back (x1)
42	Bottom Shelf (x1)
43	Locking Caster (x2)
44	Gas Cylinder Support Bracket (x1)
45	Wheel (x2)

Part#	Description
A	Screw (x40)
B	Screw (x4)
C	Washer (x23)
D	Locking Washer (x23)
E	Screw (x4)
F	Wheel Cotter Pin (x2)
G	Wheel Washer (x2)
H	Wheel Axle Pin (x2)
I	Battery (x1)



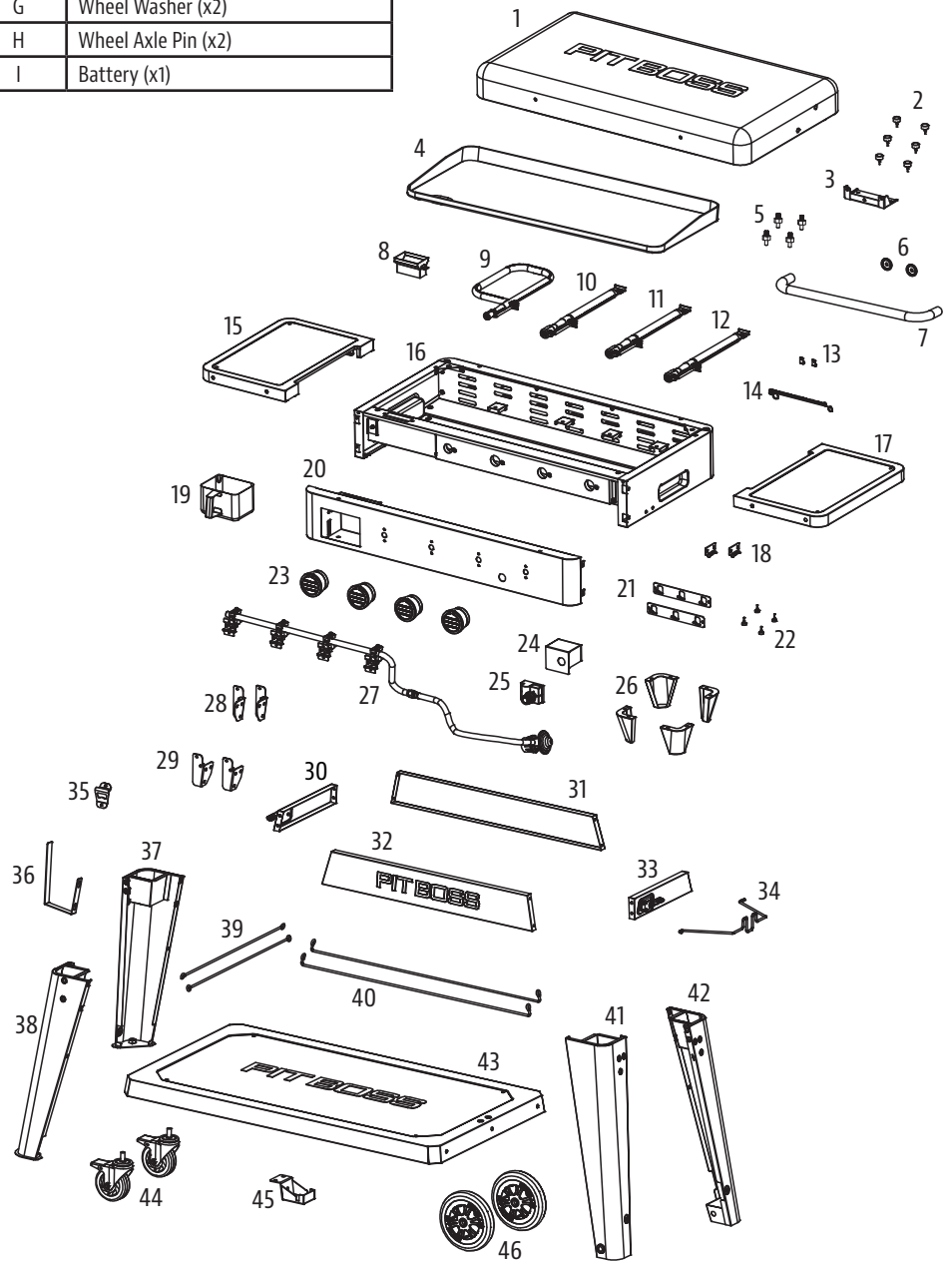
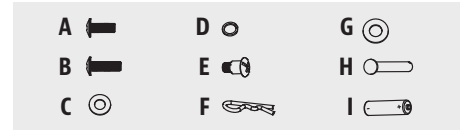
ENGLISH

NOTE: Due to ongoing product development, parts are subject to change without notice.

PB4BGD2

Part#	Description
1	Lid (x1)
2	Lid Support Rubber (x6)
3	Lid Support (x1)
4	Hot Plate (x1)
5	Hot Plate Leg Screws (x4)
6	Lid Handle Bezel (x2)
7	Lid Handle (x1)
8	Grease Run Out (x1)
9	P Burner (x1)
10	Left Burner (x1)
11	Middle Burner (x1)
12	Right Burner (x1)
13	Lighting Rod Retaining Plate (x2)
14	Lighting Rod (x1)
15	Side shelf - Left (x1)
16	Firebox Assembly (x1)
17	Side Shelf - Right (x1)
18	Latch Hook (x2)
19	Grease Cup (x1)
20	Firebox Control Panel (x1)
21	Side Shelf Hook Panel (x2)
22	Side Shelf Rubber (x4)
23	Control Knob (x4)
24	Igniter Heat Shield (x1)
25	Igniter (x1)
26	Firebox Feet (x4)
27	Valve Assembly (x1)
28	Side Shelf Bracket - Left (x2)
29	Side Shelf Bracket - Right (x2)
30	Cart Side Panel - Left (x1)
31	Cart Back Panel (x1)
32	Cart Front Panel (x1)
33	Cart Side Panel - Right (x1)
34	Gas Cylinder Wire Retainer (x1)
35	Bottle Opener (x1)
36	Paper Towel Hook (x1)
37	Support Leg for Caster - Back (x1)
38	Support Leg for Caster - Front (x1)
39	Cart Bar A (x2)
40	Cart Bar B (x2)
41	Support Leg for Wheel - Front (x1)
42	Support Leg for Wheel - Back (x1)
43	Bottom Shelf (x1)
44	Locking Caster (x2)
45	Gas Cylinder Support Bracket (x1)
46	Wheel (x2)

Part#	Description
A	Screw (x40)
B	Screw (x4)
C	Washer (x23)
D	Locking Washer (x23)
E	Screw (x4)
F	Wheel Cotter Pin (x2)
G	Wheel Washer (x2)
H	Wheel Axle Pin (x2)
I	Battery (x1)

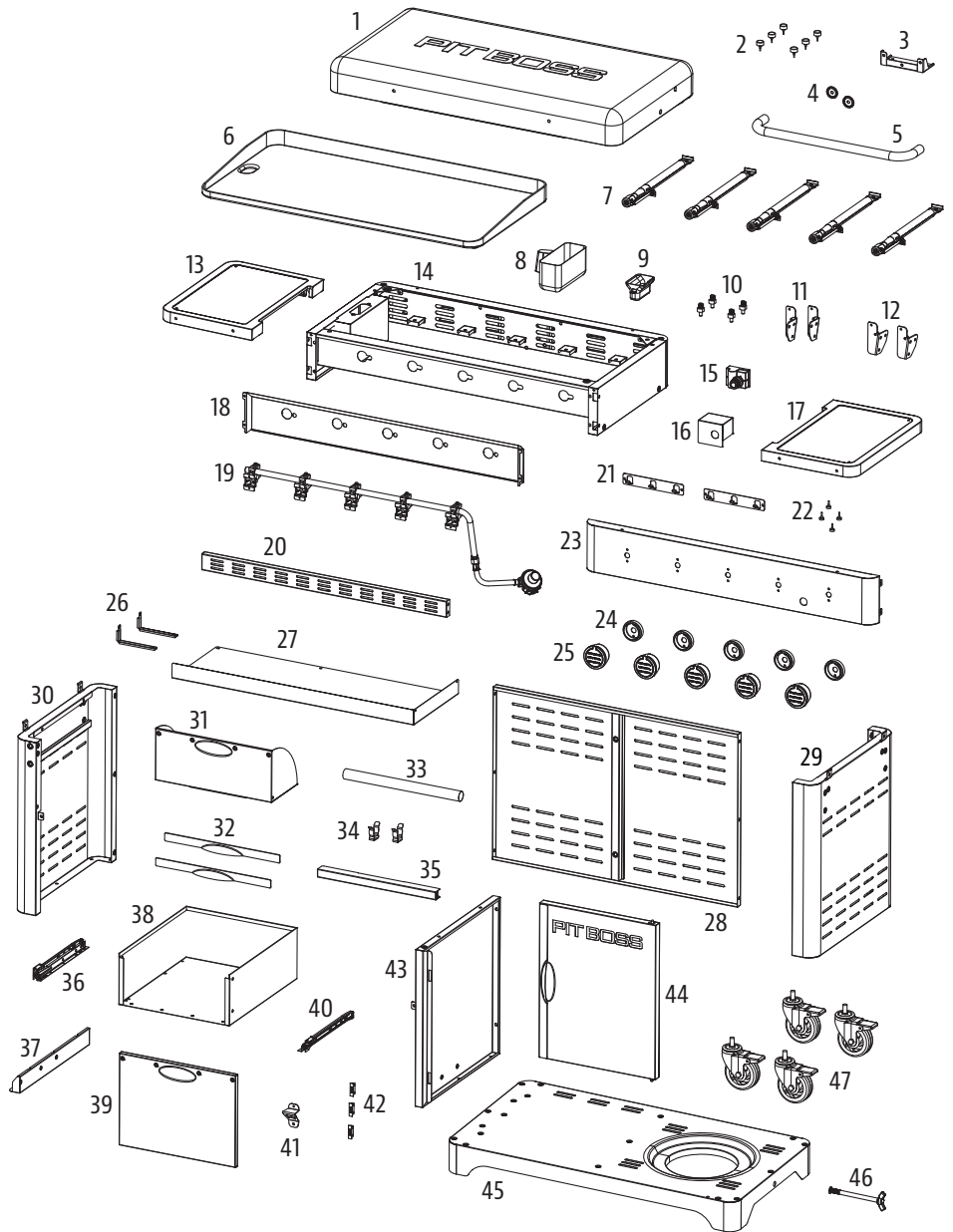
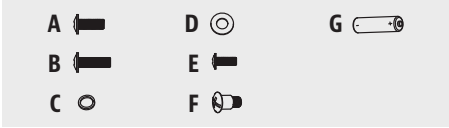


NOTE: Due to ongoing product development, parts are subject to change without notice.

PB5BGD2

Part#	Description
1	Lid (x1)
2	Lid Support Rubber (x6)
3	Lid Support (x1)
4	Lid Handle Bezel (x2)
5	Lid Handle (x1)
6	Hot Plate (x1)
7	Burner (x5)
8	Grease Cup (x1)
9	Grease Run Out (x1)
10	Hot Plate Leg Screws (x4)
11	Side Shelf Bracket - Left (x2)
12	Side Shelf Bracket - Right (x2)
13	Side shelf - Left (x1)
14	Firebox Assembly (x1)
15	Igniter (x1)
16	Igniter Heat Shield (x1)
17	Side Shelf - Right (x1)
18	Front Heat Shield (x1)
19	Valve Assembly (x1)
20	Cart Front Panel (x1)
21	Side Shelf Hook Panel (x2)
22	Side Shelf Rubber (x4)
23	Firebox Control Panel (x1)
24	Control Knob Base (x5)
25	Control Knob (x5)
26	Heat Shield Bracket (x2)
27	Heat Shield Panel (x1)
28	Cart Back Panel (x1)
29	Cart Side Panel - Right (x1)
30	Cart Side Panel - Left (x1)
31	Swing Drawer (x1)
32	Drawer Handle (x2)
33	Paper Towel Bar (x1)
34	Stop Block (x2)
35	Drawer Support Bar (x1)
36	Drawer Rails - Left (x1)
37	Rail Bracket (x1)
38	Drawer (x1)
39	Drawer Front (x1)
40	Drawer Rails - Right (x1)
41	Bottle Opener (x1)
42	Magnetic Buckle (x3)
43	Cart Partition (x1)
44	Cabinet Door (x1)
45	Cart Bottom (x1)
46	Gas Cylinder Bolt (x1)
47	Locking Caster (x4)

Part#	Description
A	Screw (x54)
B	Screw (x2)
C	Locking Washer (x14)
D	Washer (x14)
E	Screw (x14)
F	Screw (x6)
G	Battery (x1)



NOTE: Due to ongoing product development, parts are subject to change without notice.

WARRANTY

CONDITIONS

All gas griddles by Pit Boss® Grills, manufactured by Dansons, carry a limited warranty from the date of sale by the original owner. The warranty coverage begins on the original date of purchase and proof of date of purchase, or copy of original bill of sale, is required to validate the warranty. Customers will be subject to parts, shipping, and handling fees if unable to provide proof of the purchase or after the warranty has expired. Dansons carries a two (2) year warranty against defects and workmanship on all parts. Dansons warrants that all part(s) are free of defects in material and workmanship, for the length of use and ownership of the original purchaser. Warranty does not cover damage from wear and tear, such as scratches, dents, dings, chips or minor cosmetic cracks. These aesthetic changes of the griddle do not affect its performance. Repair or replacement of any part does not extend past the limited warranty beyond the two (2) year from date of purchase.

During the term of the warranty, Dansons' obligation shall be limited to furnishing a replacement for defective and/or failed components. As long as it is within the warranty period, Dansons' will not charge for repair or replacement for parts returned, freight prepaid, if the part(s) are found by Dansons' to be defective upon examination. Dansons' shall not be liable for transportation charges, labor costs, or export duties. Except as provided in these conditions of warranty, repair or replacement of parts in the manner and for the period of time mentioned heretofore shall constitute the fulfillment of all direct and derivate liabilities and obligations from Dansons to you. Dansons takes every precaution to utilize materials that retard rust. Even with these safeguards, the protective coatings can be compromised by various substances and conditions beyond Dansons' control. High temperatures, excessive humidity, chlorine, industrial fumes, fertilizers, lawn pesticides and salt are some of the substances that can affect metal coatings. For these reasons, the warranty does not cover rust or oxidization, unless there is loss of structural integrity on the griddle components. Should any of the above occur, kindly refer to the care and maintenance section to prolong the lifespan of your unit. Dansons recommends the use of a cover when the griddle is not in use.

This warranty is based on normal domestic use and service of the griddle and neither limited warranty coverage's apply for a griddle which is used in commercial applications.

EXCEPTIONS

There is no written or implied performance warranty on Pit Boss® Grills products, as the manufacturer has no control over the installation, operation, cleaning, maintenance or the type of fuel burned. This warranty will not apply nor will Dansons assume responsibility if your appliance has not been installed, operated, cleaned and maintained in strict accordance with this owner's manual. Any use of gas not outlined in this manual may void the warranty. The warranty does not cover damage or breakage due to misuse, improper handling or modifications. Neither Dansons, or authorized Pit Boss® Grills dealer, accepts responsibility, legal or otherwise, for the incidental or consequential damage to the property or persons resulting from the use of this product. Whether a claim is made against Dansons based on the breach of this warranty or any other type of warranty expressed or implied by law, the manufacturer shall in no event be liable for any special, indirect, consequential or other damages of any nature whatsoever in excess of the original purchase of this product. All warranties by manufacturer are set forth herein and no claim shall be made against manufacturer on any warranty or representation. Some states do not allow the exclusion or limitation of incidental or consequential damages, or limitations of implied warranties, so the limitations or exclusions set forth in this limited warranty may not apply to you. This limited warranty gives you specific legal rights and you may have other rights, which vary from state to state.

ORDERING REPLACEMENT PARTS

To order replacement parts, please contact your local Pit Boss® Grills dealer or visit our online store at: www.pitboss-grills.com

CONTACT CUSTOMER CARE

If you have any questions or problems, contact Customer Care: **USA: (480) 923-9630 | Canada (Toll-Free): 1-877-942-2246**

WARRANTY SERVICE

Contact your nearest Pit Boss® Grills dealer for repair or replacement parts. Dansons requires proof of purchase to establish a warranty claim; therefore, retain your original sales receipt or invoice for future reference. The serial and model number of your Pit Boss® can be found on the back of the unit. Record numbers below as the label may become worn or illegible.

MODEL

SERIAL NUMBER

DATE OF PURCHASE



AUTHORIZED DEALER

INFORMATIONS CONCERNANT LA SÉCURITÉ

LES PRINCIPALES CAUSES D'INCENDIE D'UN APPAREIL SONT UN MAUVAIS ENTRETIEN ET UNE INCAPACITÉ À MAINTENIR L'ESPACEMENT REQUIS ENTRE L'APPAREIL ET LES MATÉRIAUX COMBUSTIBLES. IL EST DE LA PLUS HAUTE IMPORTANCE QUE CE PRODUIT SOIT UNIQUEMENT UTILISÉ CONFORMÉMENT AUX INSTRUCTIONS SUIVANTES.

Veillez lire et comprendre l'intégralité de ce manuel avant de procéder à l'assemblage, à l'utilisation ou à l'installation de ce produit. Vous pourrez alors profiter pleinement et sans encombre de votre nouvelle plaque chauffante à gaz portable. Nous vous conseillons également de conserver ce manuel à titre de référence ultérieure.

DANGERS AND WARNINGS

<p> DANGER</p> <p>Si vous sentez le gaz :</p> <ul style="list-style-type: none">• Coupez l'arrivée du gaz de l'appareil• Éteignez toute flamme ouverte.• Ouvrez le couvercle.• Si l'odeur persiste, éloignez-vous de l'appareil et appelez immédiatement votre fournisseur de gaz ou les pompiers.	<p> AVERTISSEMENT</p> <ul style="list-style-type: none">• Ne stockez pas, ni n'utilisez de l'essence ou d'autres liquides ou vapeurs inflammables à proximité de cet appareil ou de tout autre appareil.• Une bouteille de gaz de pétrole liquéfié non branchée pour utilisation ne doit pas être stockée à proximité de cet appareil ou de tout autre appareil.	<p>CODES D'INSTALLATION DU GRIL</p> <ul style="list-style-type: none">• L'installation doit être conforme aux codes locaux ou, en l'absence de codes locaux, au code national sur le gaz combustible, ANS Z 223.1/NFPA 54, au code d'installation du gaz naturel et du propane, CSA B149.1, ou au code de stockage et de manipulation du propane, B149.2.• Les modèles de gril au GPL sont conçus pour être utilisés avec une bouteille de gaz propane liquide standard de 9 kg (20 lb), de 46,35 cm (18 ¼ po) de hauteur et de 31 cm (12 ¼ po) de diamètre, non incluse avec le gril. Ne jamais connecter le gril à gaz à une bouteille de gaz GPL qui dépasse cette capacité.
---	---	---

Vous devez contacter les autorités locales compétentes afin d'obtenir les permis, mandats ou informations nécessaires concernant toute restriction d'installation, par exemple pour un gril installé sur une surface combustible, les exigences en matière d'inspection ou même la possibilité d'utilisation dans votre région.

1. Vous devez respecter un espace minimum de 1 270 mm (50 pouces) entre les côtés/l'arrière du plaque de cuisson et toute constructions combustible. **N'installez pas l'appareil sur des sols combustibles ou des sols protégés par des surfaces combustibles sans avoir obtenu les permis et autorisations appropriés de la part des autorités compétentes.** N'utilisez pas cet appareil en intérieur, dans une zone close ou non aérée, par exemple à l'intérieur d'un domicile, dans un véhicule, sous une tente ou dans un garage. Cet appareil ne doit pas être placé sous un plafond ou un surplomb combustible. Placez votre gril dans une zone dégagée, sans matériaux combustibles, essence, ni autres vapeurs et liquides inflammables.

En cas d'incendie de graisse, éteignez le gril jusqu'à ce que le feu soit éteint. Ne pas jeter d'eau dessus. Ne pas essayer d'étouffer le feu. L'utilisation d'un extincteur approuvé toutes classes (classe ABC) est précieuse à conserver sur place. Si un incendie non contrôlé se produit, appelez les pompiers.

2. La bouteille de propane liquide doit être construite et marquée conformément aux spécifications concernant les bouteilles de gaz GPL du département des Transports des États-Unis (DOT) ou de la Norme nationale du Canada CAN/CSA-B339 relative aux cylindres, sphères et tubes pour la Commission du transport des matières dangereuses. Le réservoir de gaz de pétrole liquéfié doit être muni d'un robinet d'arrêt s'achevant en sortie de réservoir d'alimentation en gaz liquéfié, compatible avec un dispositif de raccordement de réservoir de type 1. Le réservoir de gaz de pétrole liquéfié doit également être muni d'un dispositif de sécurité à communication directe avec l'espace vapeur du réservoir. Le système d'alimentation du réservoir doit être positionné pour l'évacuation des vapeurs. Le réservoir GPL utilisé doit être muni d'une bague pour protéger son robinet.
3. Vous devez utiliser un réservoir de gaz OPD qui offre un limiteur de remplissage. Ce dispositif de sécurité empêche tout remplissage excessif du réservoir qui pourrait entraîner un dysfonctionnement du réservoir de gaz GPL, du régulateur de pression et/ou du gril.
4. Ce gril pour l'extérieur n'est pas conçu pour une installation dans/sur des véhicules récréatifs ou des bateaux.

Ne jamais utiliser cet appareil dans un espace clos, comme une caravane-camping, une tente, une voiture, un bateau ou une maison. Cet appareil n'est pas conçu comme un appareil de chauffage, il ne doit en aucun cas servir comme tel.

5. Cet appareil n'est pas conçu pour être utilisé par des enfants, des personnes à capacités physiques, sensorielles ou intellectuelles réduites ou sans expérience ni connaissances, à moins qu'elles soient surveillées directement par une personne responsable de leur sécurité.
6. Certaines parties du barbecue peuvent être très chaudes et des blessures graves peuvent survenir. Tenir hors de portée des jeunes enfants et des animaux domestiques lors de l'utilisation. Ne pas toucher les surfaces chaudes. Veuillez utiliser des gants résistant à la chaleur, des pinces avec une longue poignée ou des gants de cuisine en tout temps, puisque le gril peut devenir très chaud.
7. Ne jamais utiliser le gril sans la coupelle à graisse installée et suspendue sous le foyer. Sans la coupelle à graisse, la graisse chaude et les débris peuvent couler vers le bas et produire un danger d'incendie.
8. N'obstruez pas le flux de l'air de combustion et de ventilation à l'appareil. Gardez le tube du brûleur et les hublots propres et exempts de tous débris. Nettoyez avant utilisation. Une maintenance et un entretien réguliers sont requis pour prolonger la durée de vie de votre unité.
9. Vérifiez toujours la présence de fuites lorsque vous branchez et débranchez le régulateur à la bonbonne de gaz, plus particulièrement après une période d'entreposage (par exemple, au cours de l'hiver). Vérifiez l'étanchéité de tous les raccords à l'aide d'une solution d'eau savonneuse et d'une brosse. Ne jamais utiliser de flamme ouverte pour vérifier la présence de fuites.
10. Nettoyez et inspectez le régulateur de gaz avant chaque utilisation de l'appareil de cuisson en extérieur. Remplacez le régulateur de gaz avant de l'utiliser si vous apercevez une abrasion ou une usure excessive. N'utilisez que l'assemblage du régulateur de pression du gaz fourni avec ce gril à gaz. Ne pas utiliser le régulateur d'un autre fabricant.

Ne pas utiliser de pierre volcanique, de copeaux de bois, de charbon, d'essence à briquet, d'alcool ou autres produits chimiques similaires pour effectuer l'allumage ou le rallumage. Conservez tous ces liquides et substances loin du gril lorsque celui-ci fonctionne.

11. Faites fonctionner cet appareil avec du gaz de pétrole liquéfié, qui est également indiqué sur la plaque signalétique de l'unité. Ne pas essayer de faire fonctionner votre gril à l'aide d'autres types de gaz. Ne pas essayer de convertir cette unité au GPL afin qu'elle fonctionne avec du gaz naturel. Le non-respect de cet avertissement pourrait entraîner un risque d'incendie et des dommages corporels et annulera votre garantie.
12. L'emplacement du tube du brûleur par rapport à l'orifice est essentiel à un fonctionnement sûr. Assurez-vous que l'orifice se trouve à l'intérieur du tube du brûleur avant d'utiliser le gril à gaz. Si le tube du brûleur ne s'adapte pas à l'orifice du robinet, l'allumage du brûleur peut provoquer une explosion et/ou un incendie.

AVERTISSEMENTS EN MATIÈRE DE GAZ PROPANE

1. Veillez à ce que la bonbonne de gaz soit achetée chez un fournisseur connu. Une bonbonne de gaz propane mal remplie ou trop remplie peut être dangereuse. La condition trop remplie en conjonction avec l'avertissement sur la bonbonne de gaz propane (une journée chaude d'été, la bonbonne laissée au soleil, etc.) peut provoquer la libération du gaz propane puisque l'augmentation de température entraîne l'expansion du gaz. Le gaz relâché du cylindre est inflammable et peut exploser
2. Ne pas utiliser de bonbonne à GPL si celle-ci présente une vanne endommagée ou bien présente des signes de bosses, de renflements, de dommages causés par le feu, de corrosion, de fuites, de rouille excessive ou toute autre forme de dommages externes car ceux-ci peuvent s'avérer dangereux et devraient immédiatement être vérifiés par un fournisseur de gaz propane liquide.

Si vous voyez, sentez ou entendez le sifflement de gaz qui s'échappe de la bonbonne, n'essayez pas d'allumer l'appareil. Éteindre toute flamme ouverte. Débrancher de l'alimentation en combustible.

3. Ne pas brancher ou débrancher la bonbonne de gaz pendant que l'appareil est utilisé ou qu'il est encore chaud. Lorsque vous n'utilisez pas le gril, veillez à ce que le bouton du régulateur soit à « OFF » (Éteint) et débranchez le cylindre de gaz. Ne jamais déplacer ou transporter l'unité si la bonbonne de gaz est branchée à celle-ci. N'entreposez pas les bouteilles de rechange de propane liquide sous cet appareil ou à proximité.
4. Des bonbonne de gaz doivent être stockées à l'extérieur hors de portée des enfants et ne doivent pas être stockées dans un bâtiment, un garage ou toute autre zone de l'enceinte.

MONOXYDE DE CARBONE (« le tueur silencieux »)

Le monoxyde de carbone est un gaz incolore, inodore et sans goût, produit par la combustion de gaz, de bois, de propane, de charbon ou autre combustible. Le monoxyde de carbone diminue la capacité du sang à transporter l'oxygène. De faibles taux d'oxygène dans le sang peuvent entraîner des maux de tête, des vertiges, des sentiments de faiblesse, des nausées, des vomissements, des somnolences, des confusions, des pertes de conscience, ou la mort. Suivez ces instructions pour empêcher ce gaz incolore et inodore d'empoisonner vos proches ou vous-même :

- Consultez un médecin si un individu ou vous-même développez des symptômes rappelant ceux d'une grippe alors que vous cuisinez ou que vous êtes à proximité de l'appareil. L'empoisonnement au monoxyde de carbone, pouvant facilement être confondu avec un rhume ou une grippe, est souvent détecté trop tard.
- La consommation d'alcool, de drogue et de médicaments augmente les effets de l'empoisonnement au monoxyde de carbone.

Le monoxyde de carbone est particulièrement toxique pour les mères et leur bébé pendant la grossesse, pour les nouveau-nés, les personnes âgées, les fumeurs et les personnes présentant des problèmes du sang ou du système circulatoire, comme l'anémie ou les maladies cardiaques.

INFORMATIONS RELATIVES À LA SÉCURITÉ

Conformément aux procédures et spécifications énumérées dans les normes ANS Z21.58-2018 · CSA 1.6-2018« Appareil de cuisson au gaz spécialisé en plein air. » Les appareils de cuisson Pit Boss® Grills ont été testés indépendamment et répertoriés par CSA (un laboratoire d'essais accrédité) selon les normes CSA.





AVIS SUR LES DROITS D'AUTEUR

Droit d'auteur 2021. Tous droits réservés. Nulle partie de ce manuel ne peut être reproduite, transmises, transcrite ou stockée dans un système de recherche de quelque façon que ce soit sans l'autorisation préalable écrite de,

Dansons

3411 North 5th Avenue, Suite 500, Phoenix, AZ, USA 85013

www.pitboss-grills.com

Service à la clientèle

États-Unis: (480) 923-9630

Canada (sans frais): 1-877-942-2246

TABLE DES MATIÈRES

Informations concernant la sécurité	21
Connexion à une alimentation au gaz	
Exigences relatives aux bouteilles de gaz	25
Connexion de la bouteille de gaz	25
Préparation à l'utilisation – Test de fuite	26
Déconnexion d'une bouteille de gaz	27
Instructions d'utilisation	
Environnement du plaque chauffante	27
Première utilisation - brûlage du plaque chauffante	28
Procédure d'allumage	28
Procédure d'allumage manuel	29
Arrêt du plaque chauffante	29
Retirer le foyer du chariot.....	30
Utilisant le support de sac de poubelle	31
Entretien et maintenance	32
Conseils et techniques	33
Dépannage	34
Pièces de rechange	35
Garantie	39

CONNEXION À UNE ALIMENTATION AU GAZ

EXIGENCES RELATIVES AUX BOUTEILLES DE GAZ

Le gril est réglé et testé avec du gaz propane liquide uniquement. Le régulateur fourni est conçu pour une colonne d'eau (WC) de 27,94 cm (11 pouces) et doit être utilisé uniquement avec du gaz propane liquide. Le régulateur et le flexible fournis par l'usine doivent être utilisés avec une bouteille de gaz propane de 9 kg (20 lb), de 46,35 cm (18 ¼ po) de hauteur et de 31 cm (12 ¼ po) de diamètre. **Communiquez avec votre fournisseur de gaz pour obtenir un régulateur spécial pour le gaz en vrac qui alimente d'autres appareils.**

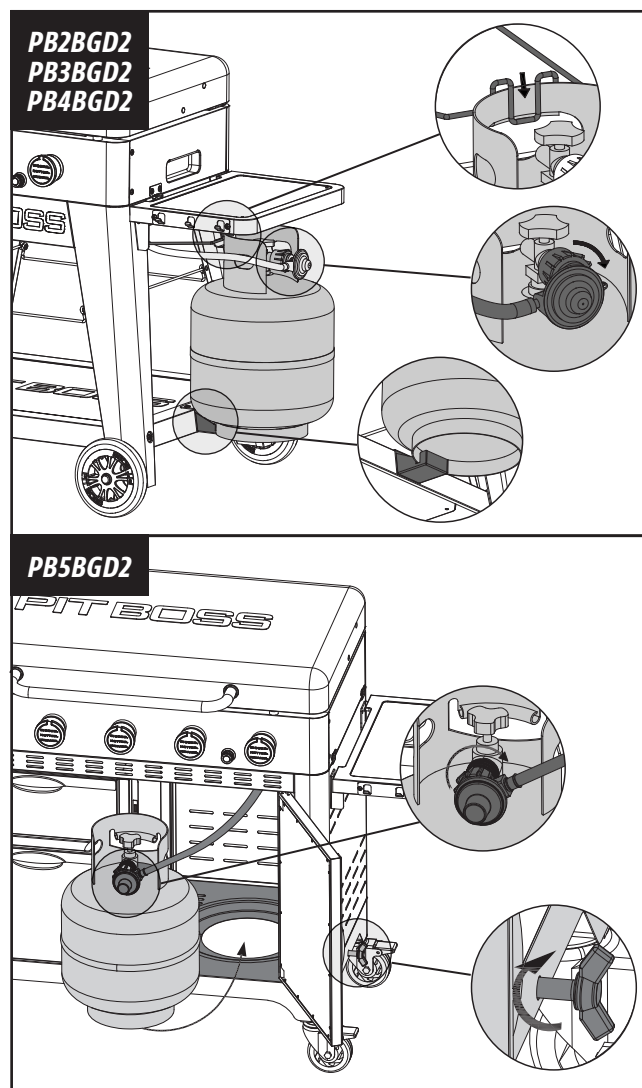
ATTENTION : Il est important d'inspecter toute la longueur du tuyau de la conduite de gaz. S'il est évident qu'il y a une abrasion ou une usure excessive, ou que le tuyau est coupé, le tuyau doit être remplacé avant l'utilisation de l'appareil. Le flexible de remplacement doit être celui spécifié par le fabricant.

CONNEXION DE LA BOUTEILLE DE GAZ

1. Assurez-vous que le robinet de la bouteille de gaz est en position FERMÉE.
 - **PB2BGD2 / PB3BGD2 / PB4BGD2** - Sur le côté du chariot, placez l'anneau de pied de la bouteille de gaz sur le support prévu à cet effet. Utilisez l'attache de la bouteille de gaz pour la maintenir dans une position fixe.
 - **PB5BGD2** - Placez la bouteille de gaz sur le cercle gravé de la tablette inférieure. En tournant dans le sens des aiguilles d'une montre, utilisez le boulon de la bouteille de gaz pour la maintenir en position.

Sur tous les appareils, il est important de vérifier que la bouteille de gaz est parfaitement à la verticale, car il est dangereux de faire fonctionner le gril si la bouteille de gaz n'est pas installée correctement.

2. Assurez-vous que le robinet du régulateur de le foyer est complètement fermé en tournant le bouton dans le sens des aiguilles d'une montre jusqu'à la position « OFF » (OFF).
3. Retirez le capuchon de protection de l'ouverture du robinet du régulateur et celui du robinet en haut de la bouteille de gaz. Gardez les bouchons. Vérifiez que la bouteille de gaz comporte le filetage mâle extérieur approprié (connexion de type 1 selon la norme ANS Z21.81).
4. Insérez le robinet de la bouteille de gaz dans l'ouverture filetée du robinet du régulateur. Tournez l'écrou de raccordement rapide dans le sens des aiguilles d'une montre jusqu'à l'arrêt. Le serrage doit être effectué à la main.
5. La bouteille de gaz est maintenant installée.



Le gril extérieur, lorsqu'il est installé, doit être mis à la terre conformément aux codes locaux ou, en l'absence de codes locaux, au Code national de l'électricité, ANS / NFPA 70 ou au Code canadien de l'électricité, CSA C22.1.

1. N'entreposez pas la bonbonne de recharge de gaz LP à côté de cet appareil
2. Ne remplissez jamais la bouteille à plus de 80%.

3. Le non-respect scrupuleux des points 1 et 2 peut entraîner la mort ou de graves blessures.
4. Remettez le capuchon anti-poussière sur l'orifice de sortie du robinet de la bouteille quand celle-ci n'est pas utilisée. N'installez sur l'orifice de sortie du robinet de la bouteille que le type de capuchon anti-poussière fourni avec le robinet. D'autres capuchons ou bouchons pourraient provoquer des fuites de propane.
5. La bouteille de gaz GPL utilisée doit être munie d'une bague pour protéger son robinet.
6. Gardez toujours la bouteille de GPL orientée à 90 degrés (en position verticale) pour permettre l'évacuation des vapeurs.

REMARQUE : Le débit normal de gaz à travers le régulateur et le flexible peut créer un bourdonnement. Un faible volume de bruit est tout à fait normal et ne perturbera pas le fonctionnement du gril. Si le bourdonnement est excessif, il peut être nécessaire de purger l'air de la conduite de gaz ou de réinitialiser le dispositif de régulation du débit de gaz excédentaire. Il faut effectuer cette procédure de purge chaque fois qu'un nouveau réservoir de gaz de pétrole liquéfié est raccordé au gril.

PRÉPARATION À L'UTILISATION – TEST DE FUITE

Un test de fuite permet de déterminer l'intégrité d'un joint. Avant d'utiliser votre gril à gaz, effectuez un test de fuite sur le branchement entre le régulateur et la bouteille de gaz afin de réduire le risque de blessure corporelle grave ou de mort provenant d'un incendie ou d'une explosion. Un test de fuite doit être effectué au moins une fois par saison, ainsi que :

- avant d'allumer votre gril pour la première fois,
- à chaque changement de bouteille de gaz,
- après un voyage, surtout sur des routes accidentées ou bosselées,
- après une période de stockage ou une non-utilisation prolongée.

COMMENT EFFECTUER UN TEST DE FUITE

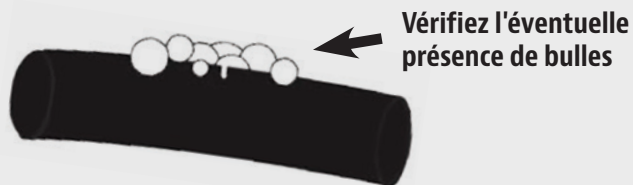
Accessoires nécessaires :

1 x Bol (*vide et propre*)

1 x Pinceau (*propre*)

Liquide vaisselle

Eau



Procédure :

1. Placez le gril dans une zone bien aérée. Veillez à ce que le gril soit froid au toucher, et non allumé. Vérifiez que la vanne du régulateur est en position d'arrêt et que la bouteille de gaz est fixée solidement au régulateur.

IMPORTANT : vérifiez qu'il n'y a pas de flamme ouverte ou de fumeurs dans les environs.

2. Effectuez un mélange égal d'eau et de liquide vaisselle dans un bol. La solution fera des bulles, car elle sera concentrée.
3. Utilisez un pinceau pour appliquer la solution sur le joint entre le régulateur et la bouteille de gaz. Inspectez visuellement la présence éventuelle de bulles, signe d'un défaut ou d'un joint cassé.

REMARQUE : si une fuite apparaît, répétez la procédure d'installation de la bouteille de gaz, mais ne serrez pas trop. Serrez uniquement à la main. Répétez le test de fuite après la réinstallation pour vérifier que le joint est correctement fixé.

IMPORTANT : n'utilisez pas le gril à gaz si vous détectez une fuite de gaz qui ne peut pas être résolue à l'aide de la procédure de test de fuite. Contactez votre service des pompiers local ou votre service clients pour connaître des mesures alternatives de test afin de prendre les précautions requises.

DÉCONNEXION D'UNE BOUTEILLE DE GAZ

1. Tournez tous les boutons de commande de le foyer sur la position « O » (OFF). Assurez-vous que le robinet du régulateur de la bouteille de gaz est complètement fermé en tournant le bouton jusqu'à la position « CLOSED » (FERMÉ).
2. Tournez l'écrou de raccordement rapide dans le sens antihoraire (à la main) pour le déconnecter de l'ouverture du robinet du régulateur. Remettez en place les capuchons de protection sur l'ouverture du robinet du régulateur et le haut de la bouteille de gaz (s'ils ne sont pas vides).

REMARQUE: Si vous rangez le gril à l'intérieur, laissez la bouteille de gaz à l'extérieur.

AVERTISSEMENT: Ne pas plier ou transporter la grille avec la bouteille de gaz attachée. La bouteille peut se desserrer de la vanne et provoquer une fuite de gaz pouvant entraîner une explosion, un incendie ou des lésions corporelles graves. Débranchez d'abord la bouteille de gaz avant de voyager ou de la ranger.

INSTRUCTIONS D'UTILISATION

ENVIRONNEMENT DU PLAQUE DE CUISSON

1. OÙ INSTALLER LE GRILL

Avec tous les appareils d'extérieur, les conditions climatiques extérieures jouent un rôle important dans le rendement de votre plaque de cuisson et le temps de cuisson nécessaire pour compléter vos repas. Toutes les unités Pit Boss® devraient garder un dégagement minimum de 1 270 mm (50 pouces) des constructions combustibles, et cette distance doit être maintenue pendant la cuisson. Cet appareil ne doit pas être placé sous un plafond ou un surplomb combustible. Gardez votre gril dans une zone dégagée et exempte de matières combustibles, d'essence et d'autres vapeurs et liquides inflammables.

2. CUISINER PAR TEMPS FROID

Lorsqu'il commence à faire plus frais à l'extérieur, cela ne signifie pas que la saison des grillades est terminée! L'air frais et l'arôme divin des aliments grillés aideront à guérir votre blues d'hiver. Suivez ces suggestions sur la façon de profiter de votre gril pendant les mois les plus frais :

- Organisez – Préparez tout ce dont vous avez besoin dans la cuisine avant de vous diriger à l'extérieur. Pendant l'hiver, déplacez votre gril dans un endroit protégé du vent et du froid. Vérifiez les règlements locaux concernant la proximité de votre gril par rapport à votre maison et/ou autres constructions. Mettez tout ce dont vous avez besoin sur un plateau, emballez et lancez-vous!
- Pour suivre la température extérieure, placez un thermomètre extérieur près de votre zone de cuisson. Gardez un journal ou un historique de ce que vous avez préparé, de la température extérieure et du temps de cuisson. Cela sera utile plus tard pour vous aider à déterminer ce qu'il faut cuisiner et combien de temps cela prendra.
- Ayez un plateau chauffé ou un couvercle de plat prêt à garder votre nourriture au chaud tout en faisant le voyage à l'intérieur.

3. CUISINER PAR TEMPS CHAUD

À mesure qu'il fait plus chaud à l'extérieur, le temps de cuisson diminue. Suivez ces suggestions sur la façon de profiter de votre gril pendant les mois chauds :

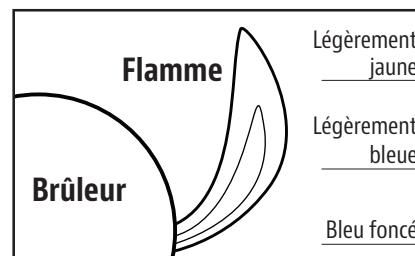
- Ajustez à la baisse vos températures de cuisson. Cela permet d'éviter les poussées indésirables.
- Utilisez un thermomètre à viande pour déterminer la température interne de vos aliments. Ceci permet d'éviter que votre viande ne soit trop cuite ou se dessèche.
- Vous pouvez garder vos aliments chauds au chaud en les enveloppant dans du papier aluminium et en les plaçant dans une glacière isolée. Placez du papier journal froissé autour du papier aluminium et cela tiendra la nourriture chaude pendant 3 à 4 heures.

PREMIÈRE UTILISATION - BRÛLAGE DU PLAQUE CHAUFFANTE

Avant d'utiliser votre plaque de cuisson pour la première fois avec des aliments, il est important d'effectuer un brûlage du plaque de cuisson. Allumez le plaque de cuisson et faire fonctionner pendant au moins 15 minutes à HAUT pour brûler l'unité. Cela «nettoiera à chaud» les composants internes, dissipera les odeurs et vous débarrasser de toute substance étrangère.

PROCÉDURE D'ALLUMAGE

1. Ouvrez le couvercle pendant l'allumage.
2. Réglez tous les boutons de commande sur la position « 0 ».
3. Ouvrez la bouteille/le robinet de gaz conformément aux instructions d'utilisation figurant sur le réservoir.
4. Enfoncez et tournez le bouton de commande du brûleur dans le sens inverse des aiguilles d'une montre sur la position « 🔥 (position d'allumage) ».
5. Enfoncez le bouton de l'allumeur jusqu'à ce que le brûleur s'allume.
6. Si l'allumage ne survient pas dans les 5 secondes, tournez le robinet sur « 0 », attendez 5 minutes et répétez les instructions d'allumage. Après l'allumage, observez la flamme du brûleur. Assurez-vous que tous les orifices du brûleur sont allumés et que la hauteur de la flamme correspond à l'illustration.
7. Si les étapes ci-dessus ne fonctionnent pas, suivez la **procédure d'allumage manuelle**.



Si la flamme du brûleur s'éteint pendant le fonctionnement, placez les boutons de commande en position « 0 » (ARRÊT). Attendez cinq minutes avant de tenter de rallumer pour permettre au gaz accumulé de se dissiper.

PROCÉDURE EN CAS DE PROBLÈME D'ALLUMEUR

Si pour une raison quelconque votre allumeur électrique ne fonctionne pas après trois ou quatre tentatives, utilisez les étapes suivantes ou lancez votre gril en mode manuel.

1. Vérifiez que le bouton du régulateur est en position OFF. Laissez tout gaz accumulé se dissiper.
2. Après cinq minutes, vérifiez les éléments suivants :
 - Confirmez visuellement que l'allumeur fonctionne en enfonceant le bouton de l'allumeur et en recherchant une étincelle à la pointe de l'allumeur. En cas d'absence d'étincelle, réglez la distance entre la pointe de l'allumeur (électrode) et le brûleur à 4,5 mm (3/16 po.).
 - Confirmez visuellement que le tube du brûleur et les hublots ne sont pas obstrués. En cas de blocage, suivez les instructions d'Entretien et maintenance.
3. Si l'un des points ci-dessus ne fonctionne pas, suivez les instructions de **Dépannage**.

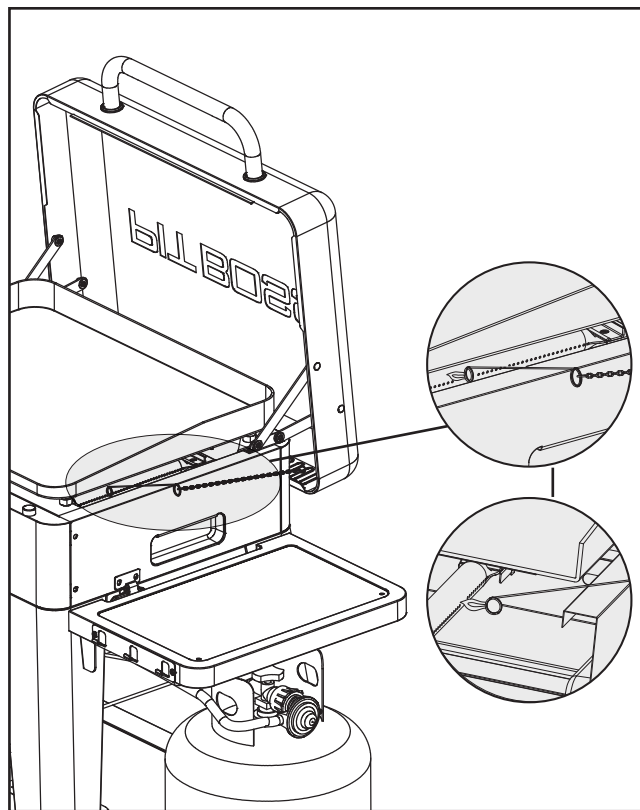
PROCÉDURE D'ALLUMAGE MANUEL

1. Ouvrez le couvercle pendant l'allumage.
2. Réglez tous les boutons de commande sur la position « 0 ».
3. Ouvrez la bouteille/le robinet de gaz conformément aux instructions d'utilisation figurant sur le réservoir.
4. Rapidement et avec précaution, à l'aide d'une allumette allumée fixée à la tige d'allumage (fournie avec le gril) allumez le brûleur. Accédez au brûleur sous la plaque chauffante. Positionnez l'allumette allumée à côté du brûleur.

ATTENTION : N'essayez pas d'allumer une autre zone du brûleur. Cela peut causer des blessures.

5. Enfoncez et tournez le bouton de commande du brûleur dans le sens inverse des aiguilles d'une montre sur la position « 🔥 (position d'allumage) ». Maintenez-le enfoncé pendant 10 secondes après l'allumage du brûleur. Le « claquement » de l'étincelle s'arrête dès que vous relâchez le bouton.

REMARQUE : Ne pas utiliser d'alcool à brûler, d'essence à briquet ou de kérosène pour allumer ou raviver un feu à la plaque chauffante.



6. Si le brûleur ne s'allume pas dans les 5 secondes, tournez le bouton de commande du brûleur sur « 0 », attendez 5 minutes et répétez les instructions d'allumage. Après l'allumage, observez la flamme du brûleur. Assurez-vous que tous les orifices du brûleur sont allumés et que la hauteur de la flamme correspond à l'illustration précédente.

REMARQUE : chaque brûleur s'allume indépendamment - répétez les mêmes étapes pour les autres brûleurs.

AVERTISSEMENT : Ne vous penchez jamais au-dessus de la zone de cuisson lorsque vous allumez un gril à gaz. Conservez une distance de sécurité d'au moins 457 mm (18 pouces) entre votre visage et votre corps et la surface de la grille de cuisson lorsque vous allumez le gril à l'aide d'une allumette.

7. Si les instructions ci-dessus ne fonctionnent pas, consultez la section *Dépannage*.

ARRÊT DU PLAQUE CHAUFFANTE

1. Une fois la cuisson terminée, tournez le robinet de la bouteille de gaz en position FERMÉE et laissez le bouton du régulateur sortir. Cette fonction de sécurité verrouille le bouton du régulateur pour garantir que le gaz ne coule plus.
2. Tournez les boutons de commande en position « 0 ».

REMARQUE : un bruit de « pouf » est normal car le reste du gaz de pétrole liquéfié est brûlé.

3. Débranchez la bouteille de gaz de pétrole liquéfié conformément à la section *Débrancher la bouteille de gaz de pétrole liquéfié*.

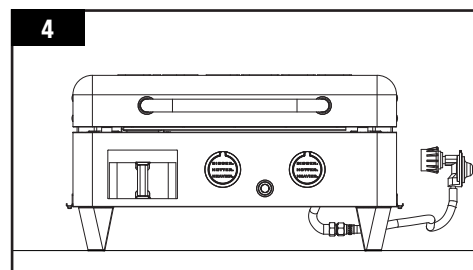
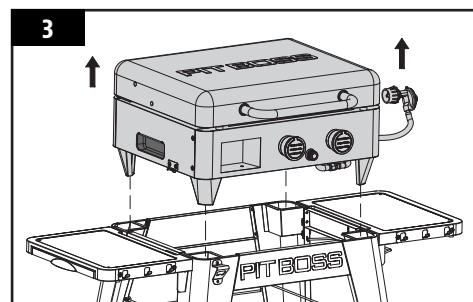
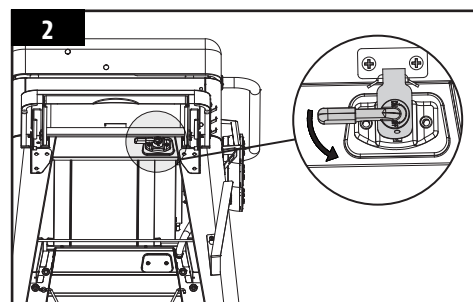
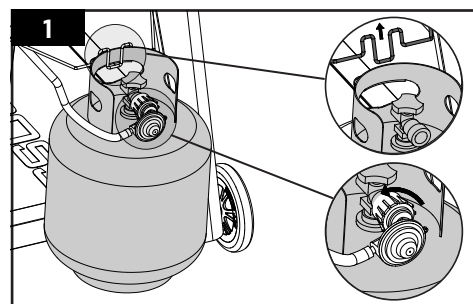
AVERTISSEMENT : laissez le gril refroidir totalement, et retirez la bouteille de gaz avant tout déplacement, voyage ou stockage.

RETIRER LE FOYER DU CHARIOT

Vous pouvez facilement et rapidement retirer le foyer du chariot à l'occasion d'une avant-partie ou d'un déplacement. Il suffit de suivre les instructions de montage en sens inverse ou de consulter le résumé suivant :

IMPORTANT : Vérifiez toujours que le foyer est complètement refroidi, qu'elle est débranchée de l'alimentation en gaz et que le bac à graisse a été retiré.

1. Débranchez l'appareil de l'alimentation en gaz. Débranchez l'ensemble du régulateur de pression du robinet de la bouteille en tournant l'écrou de raccordement rapide dans le sens antihoraire. Retirez l'attache de la bouteille de gaz. Retirez la bouteille de gaz.
2. Tournez les loquets (un de chaque côté) pour déverrouiller le foyer du chariot.
3. À l'aide de deux personnes, soulevez avec précaution le foyer du chariot en utilisant les rainures incrustées de chaque côté. Faites particulièrement attention au régulateur et au tuyau lorsque vous soulevez.
4. Posez immédiatement le foyer sur le sol, ou à l'endroit de votre choix, pour éviter de vous blesser ou d'endommager l'appareil.

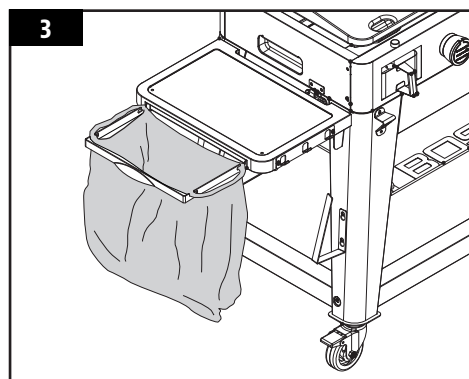
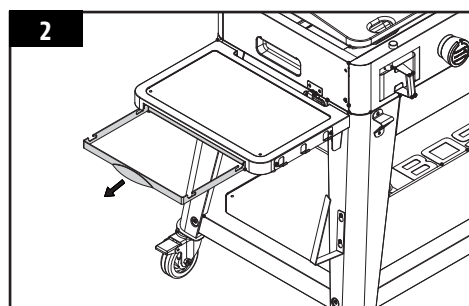
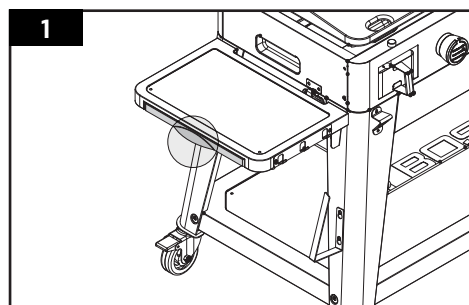


UTILISANT LE SUPPORT DE SAC DE POUBELLE

La collecte des déchets n'a jamais été aussi simple avec le support de sac de poubelle. Situé sous la tablette latérale gauche, ce cadre en acier inoxydable est facile à nettoyer et fonctionne avec un sac d'épicerie en plastique standard de taille normale, généralement d'un volume d'environ 10 à 20 litres (2,5 à 5 gallons). Le cadre est également conçu pour contenir la plupart des sacs poubelles standard (avec ou sans poignées) jusqu'à 60 litres (16 gallons) de volume.

IMPORTANT : Soyez conscient du poids mis dans le sac sur le support de sac poubelle. Changez souvent le sac pour éviter d'endommager l'intégrité de la structure et des composants du support de sac de poubelle.

1. Localisez la poignée du support de sac de poubelle sur la tablette latérale gauche.
2. Retirez le support de sac de poubelle pour exposer les supports du cadre.
3. Ajoutez un sac d'épicerie en plastique ou un sac de poubelle standard au support. Utilisez les poignées d'un sac d'épicerie pour boucler autour des supports du cadre, ou bouclez le sac de poubelle autour de trois côtés du cadre pour le maintenir en place.



ENTRETIEN ET MAINTENANCE

VÉRIFIEZ LE NIVEAU DE GAZ

Pour vérifier le niveau de gaz dans la bonbonne de gaz propane liquide, le gril doit être en fonction. Placez votre main au-dessus de la bonbonne et descendez doucement sur le côté jusqu'à ce que le réservoir soit froid au toucher. Ceci vous indiquera la quantité approximative de gaz dans votre bonbonne, si elle est au $\frac{3}{4}$ vide, il vous faudra alors la remplacer.

IMPORTANT : Ne pas utiliser de briquettes de charbon ou toute autre matière inflammable avec votre gril. L'utilisation de ces matériaux annulera votre garantie et pourrait entraîner un risque d'incendie, une explosion ou des dommages corporels.

FRÉQUENCE DE NETTOYAGE

Votre unité Pit Boss® Grills vous servira fidèlement pendant de longues années tout en minimisant les efforts de nettoyage. Suivez ces conseils de nettoyage et d'entretien pour réviser votre gril :

1. LES COMPOSANTES DU BRÛLEUR

- Nettoyez le brûleur lorsque celui-ci présente une importante accumulation, afin de veiller à ce qu'il n'y ait aucun blocage (débris, insectes) dans le tube du brûleur ou bien dans les hublots du brûleur. Après une période d'entreposage prolongée, des araignées ou des petits insectes peuvent construire des nids, des toiles et pondre leurs œufs dans le tube du brûleur, nuisant ainsi à la circulation du gaz jusqu'au brûleur. Un tube obstrué peut provoquer un incendie sous l'appareil. Si vous entreposez votre gril ou si vous pensez ne pas l'utiliser pendant une longue période, enlevez le brûleur et enveloppez-le de feuilles d'aluminium afin de réduire le risque que des insectes ne pénètrent dans les trous du brûleur.
- The burner has been preset for optimal flame performance. A blue flame, possibly with a small yellow tip, is the result of the optimal air and gas mixture. If flames are excessively yellow, orange or irregular, clean the oil and food deposits on the burner surface and the burner portholes to increase airflow.

2. COMPOSANTS DE CUISSON

- La plaque chaude de le foyer possède un revêtement en céramique. Le bois, la silicone ou le nylon sont des matériaux à privilégier en matière d'ustensiles, car ils minimisent l'usure de la surface de cuisson.
- L'appareil est livré avec un culottage d'usine, mais il est important de nettoyer et de culotter la plaque chauffante après chaque utilisation pour prévenir la rouille, prolonger la durée de vie de le foyer et créer une surface de cuisson antiadhésive. Le culottage de la plaque chauffante est un processus continu qui doit être répété tout au long de la vie de le foyer pour assurer la meilleure expérience de cuisson et la plus longue durée d'utilisation.
 1. Nettoyez la plaque chauffante après chaque utilisation, à l'aide d'une spatule ou d'un grattoir pour éliminer tous les aliments et les débris.
 2. Appliquez généreusement une couche uniforme d'huile de friture sur la surface de cuisson. Les huiles végétales, d'olive, d'arachide, de noix de coco et de sésame conviennent toutes pour culotter le foyer.
 3. Laissez refroidir dans un endroit frais et sec.

3. EXTÉRIEUR DE LE FOYER

- Vérifiez souvent votre récipient à graisse et nettoyez-le si nécessaire. Gardez à l'esprit le type d'aliments qui sont cuits.
- Utilisez une couverture afin de protéger votre plaque de cuisson pour une protection complète! Une couverture est votre meilleure protection contre les intempéries et les polluants extérieurs. Lorsqu'elle n'est pas utilisée ou pour un stockage à long terme, conservez l'unité sous une couverture dans un garage ou un hangar, sans la bonbonne de gaz (doit être conservée à l'extérieur).

TABLEAU DE NETTOYAGE (UTILISATION NORMALE)

ARTICLE	FRÉQUENCE DE NETTOYAGE	MÉTHODE DE NETTOYAGE
Surface de cuisson	Après chaque utilisation	Brûler le surplus, éponge à gratter et eau savonneuse, assaisonner avec d'huile de cuisson
Récipient à graisse	Après chaque utilisation	Vider, éponge à gratter et eau savonneuse
Tube du brûleur, les hublots	Toutes les 5-6 sessions de cuisson	Poussière, éponge à gratter et eau savonneuse
Brûleurs	Toutes les 5-6 sessions de cuisson	Éponge à gratter et eau savonneuse
Chariot	En fonction des besoins	Chiffon non abrasif et eau savonneuse

CONSEILS ET TECHNIQUES

Suivez ces astuces et techniques utiles, transmises par les propriétaires de produits Pit Boss®, notre équipe et nos clients tels que vous, afin de vous familiariser avec votre gril :

1. SÉCURITÉ ALIMENTAIRE

- Maintenez le contenu de la cuisine et de la zone de cuisson propre. Utilisez des plats et ustensiles différents pour la viande cuite et la préparation ou le transport de la viande crue sur le gril. Vous pourrez ainsi éviter une contamination croisée de bactéries. Chaque marinade ou jus de cuisson doit posséder ses propres ustensiles.
- Maintenez au chaud les aliments chauds (au-dessus de 60 °C/140 °F) et au frais les aliments froids (en dessous de 3 °C/37 °F). Les aliments cuits ne doivent pas être laissés dehors dans la chaleur durant plus d'une heure. Ne laissez pas les aliments chauds sans réfrigération durant plus de deux heures.
- Une marinade ne doit jamais être conservée et utilisée ultérieurement. Si vous comptez la servir avec votre viande, faites-la préalablement bouillir.
- Décongelez et faites mariner la viande par réfrigération. Ne la faites pas décongeler à température ambiante ou sur un plan de travail. Des bactéries peuvent se développer et se multiplier rapidement au sein d'aliments tièdes et humides. Lavez-vous minutieusement les mains avec de l'eau chaude et savonneuse avant la préparation d'un repas et après avoir manipulé de la viande, du poisson et de la volaille.

2. PRÉPARATION POUR LA CUISSON

- Préparez-vous bien. Placez la recette, les combustibles, les accessoires, les ustensiles et tous les ingrédients dont vous avez besoin près du gril avant de débiter la cuisson. Lisez également toute la recette avant d'allumer le gril.
- Un tapis de protection pour barbecue est très utile. Étant donné les risques d'éclaboussures et d'accidents en manipulant de la nourriture, un tapis protège les terrasses, patios ou plateformes en pierre contre les taches de graisse ou les renversements accidentels.

3. ASTUCES ET TECHNIQUES DE CUISSON

- Utilisez toujours un thermomètre de cuisson pour déterminer la température interne des aliments que vous cuisinez. Pour que votre nourriture reste chaude, une bonne astuce consiste à la placer sur un plat chauffé. La viande rouge, telle que les steaks et les rôtis, est meilleure si vous la laissez reposer quelques minutes avant de la servir. Cela permet aux jus ayant été attirés vers la surface par la chaleur de revenir vers le centre de la viande, ajoutant ainsi plus de saveur.
- Il vaut mieux ajouter les sauces sucrées vers la fin de la cuisson pour éviter que la viande ne brûle ou flambe.
- Utilisez un ensemble de pinces à manche long pour tourner la viande et une spatule pour tourner les steaks hachés et le poisson. Utiliser un ustensile perçant, tel qu'une fourchette, piquera la viande et laissera le jus s'échapper.

DÉPANNAGE

Un nettoyage et une maintenance adaptés, ainsi que l'utilisation de combustible propre, sec et de qualité évitera la plupart des problèmes de fonctionnement. Lorsque votre gril Pit Boss® est mal ou peu utilisé, les astuces de dépannage suivantes peuvent s'avérer utiles. Pour consulter des FAQ, rendez-vous sur www.pitboss-grills.com. Vous pouvez également contacter votre revendeur local agréé par Pit Boss® ou le service clients pour obtenir de l'aide.

ATTENTION : Veillez à ce que le gril soit totalement froid afin d'éviter toute blessure.

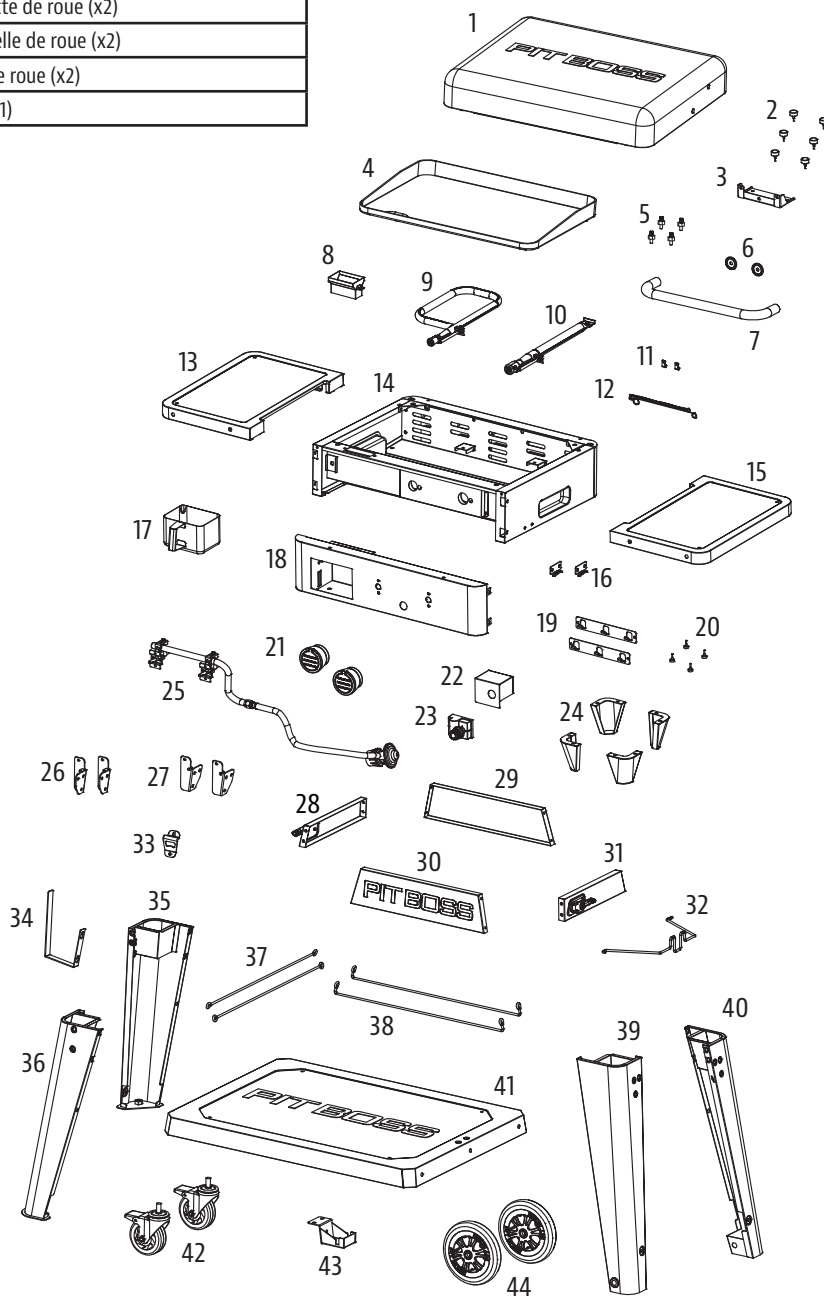
PROBLÈME	CAUSE	SOLUTION
Le brûleur ne s'allumera pas	Le fil d'allumage est cassé	Contactez le service clients pour obtenir de l'aide ou une pièce de rechange.
	La pointe de l'électrode ne produit pas d'étincelles sur les orifices du brûleur	Régalez l'électrode. Contactez le service clients pour obtenir de l'aide ou une pièce de rechange.
	Pas d'alimentation en gaz	Vérifiez la vanne du régulateur. Vérifiez l'absence de fuite sur la connexion.
Flambée excessive	Grillade de viandes grasses	Grillez les viandes grasses lorsque les grilles sont froides et que les boutons se trouvent sur le réglage « LOW ». Déplacez les viandes sur l'étagère de réchauffage si la flambée continue.
	Température de cuisson	Essayez de cuire à plus faible température. La graisse possède un point d'inflammabilité. Maintenez une température inférieure à 176 °C/350 °F lorsque vous cuisez des aliments très gras.
	Eau pulvérisée sur les flammes du gaz	Ne pulvérisez pas d'eau sur les flammes du gaz.
Le brûleur s'éteint	Aucun débit de gaz	Vérifiez le raccordement au gaz et assurez-vous qu'il soit ouvert. Remplacez la bonbonne de gaz si elle est vide.
	Les rafales ou les vents forts	Tournez l'avant du gril hors du vent ou bien augmentez la hauteur de la flamme.
Faible chaleur avec le réglage « HIGH »	Les orifices sont obstrués	Nettoyez les orifices des obstructions.
	La bouteille de gaz est vide	Remplissez la bouteille de gaz.
Fuite de gaz	Mauvaise installation	Tournez le bouton du régulateur à la position « O » (Arrêt) et laissez le bouton s'éjecter. Enlevez la bonbonne de gaz. Installez à nouveau et serrez. Effectuez un essai d'étanchéité afin de garantir le fonctionnement du joint. Remplacez la bonbonne si celle-ci est endommagée.
	Défaillance du joint	Le cylindre à gaz est corrodé, rouillé ou a été mal traité. Remplacez la bonbonne.
	Panne du régulateur	Le régulateur doit être remplacé. Contactez le service à la clientèle pour des pièces de rechange.
Les flammes du brûleur sont jaunes ou oranges	Mauvais débit d'air	Vérifiez le tube du brûleur et les hublots afin de déceler la présence de toiles d'araignée ou toute autre obstruction. Suivez les instructions d' entretien et de maintenance pour nettoyer le tube du brûleur.
	Tube de brûleur, hublots obstrués	Vider le plateau à graisse l'installer à nouveau. Suivez les instructions d' entretien et de maintenance .
	Le plateau à graisse est plein, il coule sur le sol	Vérifiez la connexion de la vanne du régulateur à la bonbonne de gaz. Enlevez puis installez à nouveau. Effectuez un essai d'étanchéité.
	La vanne du régulateur est fermée	Tournez le bouton du régulateur à ÉLEVÉ pendant cinq minutes et faites brûler l'unité. Suivez les instructions d' entretien et de maintenance .
	Le brûleur est sale	Tournez le bouton du régulateur sur HIGH pendant cinq minutes et brûlez l'appareil. Suivez les instructions d' entretien et de maintenance .

PIÈCES DE RECHANGE

PB2BGD2

No.	Description
1	Couvercle (x1)
2	Support de couvercle en caoutchouc (x6)
3	Support de couvercle (x1)
4	Plaque chauffante (x1)
5	Vis des pieds de la plaque chauffante (x4)
6	Bague de la poignée du couvercle (x2)
7	Poignée du couvercle (x1)
8	Déversoir à graisse (x1)
9	Brûleur de type P (x1)
10	Brûleur droit (x1)
11	Plaque de retenue de la tige d'allumage (x2)
12	Tige d'allumage (x1)
13	Tablette latérale - gauche (x1)
14	Assemblage du foyer (x1)
15	Tablette latérale - droite (x1)
16	Crochet de verrouillage (x2)
17	Bac à graisse (x1)
18	Panneau de commande du foyer (x1)
19	Panneau de fixation de tablette latérale (x2)
20	Support de tablette latérale en caoutchouc (x4)
21	Bouton de commande (x2)
22	Écran thermique de l'allumeur (x1)
23	Allumeur (x1)
24	Pieds du foyer (x4)
25	Ensemble robinet (x1)
26	Support de tablette latérale - gauche (x2)
27	Support de tablette latérale - droit (x2)
28	Panneau latéral du chariot - gauche (x1)
29	Panneau arrière du chariot (x1)
30	Panneau avant du chariot (x1)
31	Panneau latéral du chariot - droit (x1)
32	Attache de la bouteille de gaz (x1)
33	Décapsuleur (x1)
34	Crochet du distributeur d'essuie-tout (x1)
35	Pied de soutien pour roulette - arrière (x1)
36	Pied de soutien pour roulette - avant (x1)
37	Barre du chariot A (x2)
38	Barre du chariot B (x2)
39	Pied de soutien pour roue - avant (x1)
40	Pied de soutien pour roue - arrière (x1)
41	Tablette inférieure (x1)
42	Roulette verrouillable (x2)
43	Support de bouteille de gaz (x1)
44	Roue (x2)

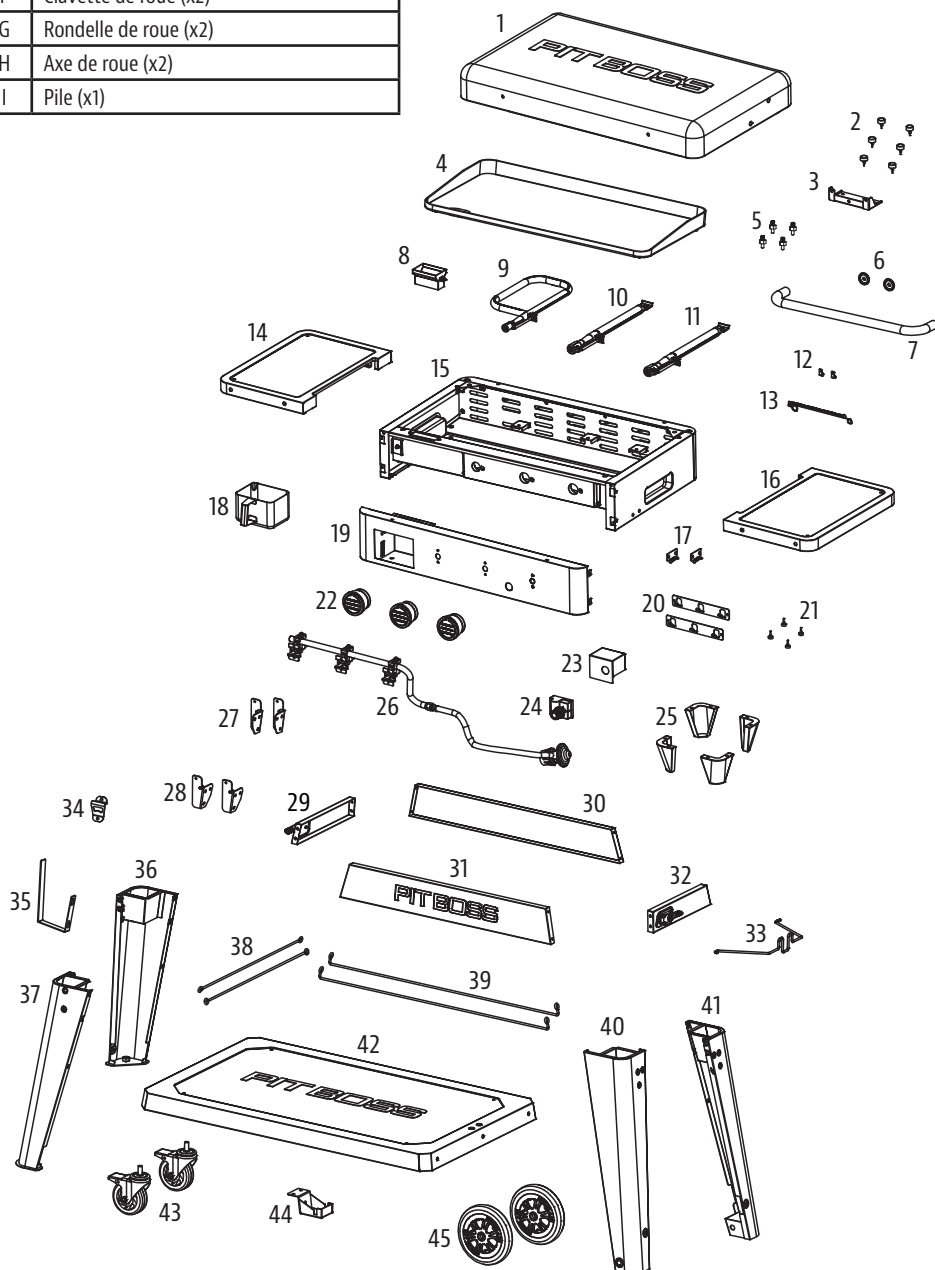
No.	Description
A	Vis (x40)
B	Vis (x4)
C	Rondelle (x23)
D	Rondelle de blocage (x23)
E	Vis (x4)
F	Clavette de roue (x2)
G	Rondelle de roue (x2)
H	Axe de roue (x2)
I	Pile (x1)



PB3BGD2

No.	Description
1	Couvercle (x1)
2	Support de couvercle en caoutchouc (x6)
3	Support de couvercle (x1)
4	Plaque chauffante (x1)
5	Vis des pieds de la plaque chauffante (x4)
6	Bague de la poignée du couvercle (x2)
7	Poignée du couvercle (x1)
8	Déversoir à graisse (x1)
9	Brûleur de type P (x1)
10	Brûleur central (x1)
11	Brûleur droit (x1)
12	Plaque de retenue de la tige d'allumage (x2)
13	Tige d'allumage (x1)
14	Tablette latérale - gauche (x1)
15	Assemblage du foyer (x1)
16	Tablette latérale - droite (x1)
17	Crochet de verrouillage (x2)
18	Bac à graisse (x1)
19	Panneau de commande du foyer (x1)
20	Panneau de fixation de tablette latérale (x2)
21	Support de tablette latérale en caoutchouc (x4)
22	Bouton de commande (x3)
23	Écran thermique de l'allumeur (x1)
24	Allumeur (x1)
25	Pieds du foyer (x4)
26	Ensemble robinet (x1)
27	Support de tablette latérale - gauche (x2)
28	Support de tablette latérale - droit (x2)
29	Panneau latéral du chariot - gauche (x1)
30	Panneau arrière du chariot (x1)
31	Panneau avant du chariot (x1)
32	Panneau latéral du chariot - droit (x1)
33	Attache de la bouteille de gaz (x1)
34	Décapsuleur (x1)
35	Crochet du distributeur d'essuie-tout (x1)
36	Pied de soutien pour roulette - arrière (x1)
37	Pied de soutien pour roulette - avant (x1)
38	Barre du chariot A (x2)
39	Barre du chariot B (x2)
40	Pied de soutien pour roue - avant (x1)
41	Pied de soutien pour roue - arrière (x1)
42	Tablette inférieure (x1)
43	Roulette verrouillable (x2)
44	Support de bouteille de gaz (x1)
45	Roue (x2)

No.	Description
A	Vis (x40)
B	Vis (x4)
C	Rondelle (x23)
D	Rondelle de blocage (x23)
E	Vis (x4)
F	Clavette de roue (x2)
G	Rondelle de roue (x2)
H	Axe de roue (x2)
I	Pile (x1)

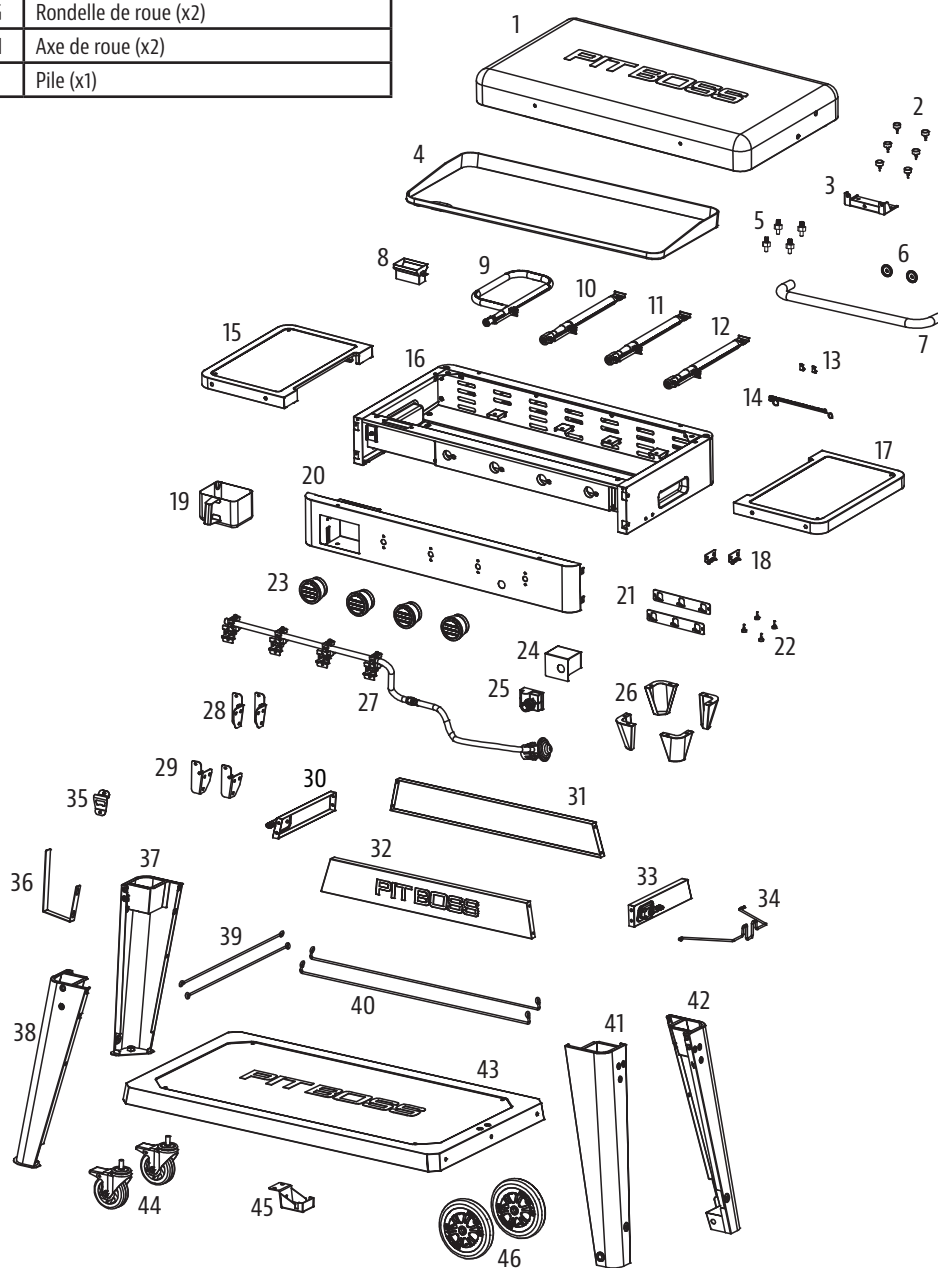


REMARQUE : En raison du développement continu du produit, les pièces peuvent être modifiées sans préavis.

PB4BGD2

No.	Description
1	Couvercle (x1)
2	Support de couvercle en caoutchouc (x6)
3	Support de couvercle (x1)
4	Plaque chauffante (x1)
5	Vis des pieds de la plaque chauffante (x4)
6	Bague de la poignée du couvercle (x2)
7	Poignée du couvercle (x1)
8	Déversoir à graisse (x1)
9	Brûleur de type P (x1)
10	Brûleur gauche (x1)
11	Brûleur central (x1)
12	Brûleur droit (x1)
13	Plaque de retenue de la tige d'allumage (x2)
14	Tige d'allumage (x1)
15	Tablette latérale - gauche (x1)
16	Assemblage du foyer (x1)
17	Tablette latérale - droite (x1)
18	Crochet de verrouillage (x2)
19	Bac à graisse (x1)
20	Panneau de commande du foyer (x1)
21	Panneau de fixation de tablette latérale (x2)
22	Support de tablette latérale en caoutchouc (x4)
23	Bouton de commande (x4)
24	Écran thermique de l'allumeur (x1)
25	Allumeur (x1)
26	Pieds du foyer (x4)
27	Ensemble robinet (x1)
28	Support de tablette latérale - gauche (x2)
29	Support de tablette latérale - droit (x2)
30	Panneau latéral du chariot - gauche (x1)
31	Panneau arrière du chariot (x1)
32	Panneau avant du chariot (x1)
33	Panneau latéral du chariot - droit (x1)
34	Attache de la bouteille de gaz (x1)
35	Décapsuleur (x1)
36	Crochet du distributeur d'essuie-tout (x1)
37	Pied de soutien pour roulette - arrière (x1)
38	Pied de soutien pour roulette - avant (x1)
39	Barre du chariot A (x2)
40	Barre du chariot B (x2)
41	Pied de soutien pour roue - avant (x1)
42	Pied de soutien pour roue - arrière (x1)
43	Tablette inférieure (x1)
44	Roulette verrouillable (x2)
45	Support de bouteille de gaz (x1)
46	Roue (x2)

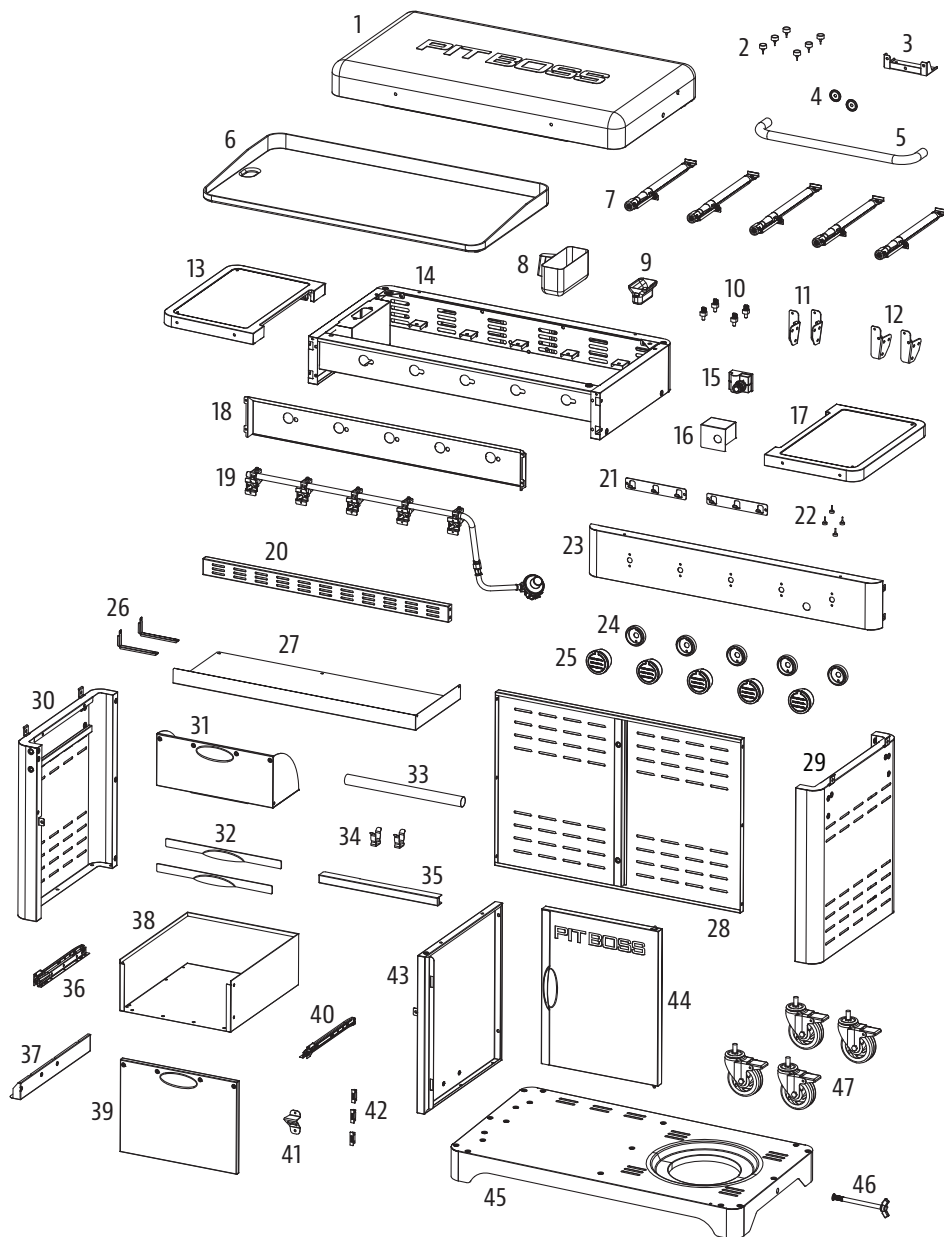
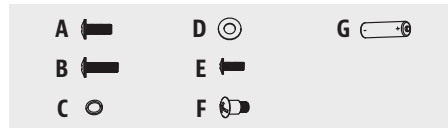
No.	Description
A	Vis (x40)
B	Vis (x4)
C	Rondelle (x23)
D	Rondelle de blocage (x23)
E	Vis (x4)
F	Clavette de roue (x2)
G	Rondelle de roue (x2)
H	Axe de roue (x2)
I	Pile (x1)



PB5BGD2

No.	Description
1	Couvercle (x1)
2	Support de couvercle en caoutchouc (x6)
3	Support de couvercle (x1)
4	Bague de la poignée du couvercle (x2)
5	Poignée du couvercle (x1)
6	Plaque chauffante (x1)
7	Brûleur (x5)
8	Bac à graisse (x1)
9	Déversoir à graisse (x1)
10	Vis des pieds de la plaque chauffante (x4)
11	Support de tablette latérale - gauche (x2)
12	Support de tablette latérale - droit (x2)
13	Tablette latérale - gauche (x1)
14	Assemblage du foyer (x1)
15	Allumeur (x1)
16	Écran thermique de l'allumeur (x1)
17	Tablette latérale - droite (x1)
18	Écran thermique d'avant (x1)
19	Ensemble robinet (x1)
20	Panneau avant du chariot (x1)
21	Panneau de fixation de tablette latérale (x2)
22	Support de tablette latérale en caoutchouc (x4)
23	Panneau de commande du foyer (x1)
24	Support de bouton de commande (x5)
25	Bouton de commande (x5)
26	Support d'écran thermique (x2)
27	Panneau d'écran thermique (x1)
28	Panneau arrière du chariot (x1)
29	Panneau latéral du chariot - droit (x1)
30	Panneau latéral du chariot - gauche (x1)
31	Tiroir basculant (x1)
32	Poignée de tiroir (x2)
33	Barre du distributeur d'essuie-tout (x1)
34	Bloc d'arrêt (x2)
35	Barre de support de tiroir (x1)
36	Rails de tiroir - gauche (x1)
37	Support de rail (x1)
38	Tiroir (x1)
39	Façade de tiroir (x1)
40	Rails de tiroir - droite (x1)
41	Décapsuleur (x1)
42	Boucle magnétique (x3)
43	Cloison du chariot (x1)
44	Porte de l'armoire (x1)
45	Fond du chariot (x1)
46	Boulon de bouteille de gaz (x1)
47	Roulette verrouillable (x4)

No.	Description
A	Vis (x54)
B	Vis (x2)
C	Rondelle de blocage (x14)
D	Rondelle (x14)
E	Vis (x14)
F	Vis (x6)
G	Pile (x1)



REMARQUE : En raison du développement continu du produit, les pièces peuvent être modifiées sans préavis.

GARANTIE

CONDITIONS

Tous les foyers de gaz de Pit Boss® Grills, fabriquées par Dansons, contiennent une garantie limitée à partir de la date de vente par le propriétaire initial. La garantie entre en vigueur à la date d'achat, et une preuve de la date d'achat ou copie de votre achat de vente original est requise pour valider la garantie. Si le client n'est pas en mesure de produire une preuve de l'achat ou si la date de couverture de la garantie est dépassée, il sera tenu de payer les pièces, l'expédition et la main-d'œuvre. Dansons offre une garantie de deux ans (2) contre les défauts et fabrication sur toutes les pièces. Dansons garantit que toute partie(s) sont exemptes de défauts de matériel et de fabrication, pour la durée d'utilisation et de propriété de l'acheteur initial. La garantie ne couvre pas les dommages causés par l'usure, tels que les rayures, les bosses, les coups, les éclats ou les fissures cosmétiques mineures. Ces changements esthétiques du grill n'affectent pas sa performance. La réparation ou le remplacement d'une pièce ne prolonge pas la garantie limitée au-delà de deux ans (2) prévue à partir de la date d'achat.

Pendant la période de la garantie limitée, l'obligation de Dansons se limitera à fournir le remplacement des composants couverts et/ou défectueux. Tant que cela se produit pendant la période de la garantie, Dansons ne vous facturera pas sur la réparation ou le remplacement des pièces retournées, le port-payé, si Dansons détermine que ces pièces se révèlent défectueuses après inspection. Dansons ne sera pas tenu responsable des frais de transport, du coût salarial ou des droits d'exportation. Sauf disposition contraire dans ces conditions de garantie, la réparation ou le remplacement des pièces de la façon et pour la durée fixée ci-dessous, remplira le devoir de toutes les responsabilités et obligations directes et dérivées de Dansons Inc. envers vous. Dansons Inc. prend toutes les précautions pour utiliser les matériaux qui retardent la formation de la rouille. Même avec ces garanties, le revêtement protecteur peut être compromis par diverses substances et conditions qui échappent au contrôle de Dansons. Les hautes températures, l'humidité excessive, le chlore, les gaz industriels, les engrais, les pesticides utilisés pour les pelouses et le sel sont quelques-unes des substances pouvant affecter les revêtements métalliques. C'est pour ces raisons que les garanties limitées ne couvrent pas la rouille ni l'oxydation, à moins que les composants du grill présentent une perte d'intégrité structurelle. Si les scénarios décrits ci-dessus devaient se produire, veuillez vous référer à la section de soin et d'entretien pour prolonger la durée de vie de votre unité. Dansons recommande l'utilisation d'une couverture lorsque le grill n'est pas utilisé.

Les garanties s'appliquent à un usage domestique et une utilisation normale du grill et aucune des garanties limitées ne s'applique à un grill utilisé pour des applications commerciales.

EXCEPTIONS

Il n'existe pas de garantie de performance écrite ou implicite sur les produits Pit Boss® Grills car le fabricant ne contrôle pas l'installation, le fonctionnement, le nettoyage, l'entretien ou le type de combustible brûlé. La garantie limitée ne s'appliquera pas, et Dansons n'assumera aucune responsabilité, si votre appareil n'a pas été installé, opéré, nettoyé et entretenu conformément aux instructions du fabricant. Toute utilisation de gaz non précisée dans ce manuel peut annuler la garantie. La garantie ne couvre pas les dommages ou ruptures causées par une mauvaise utilisation, mauvaise manutention ou des modifications. Dansons et les fournisseurs autorisés Pit Boss® Grills déclinent toute responsabilité, légale ou autre, quant aux dommages accidentels ou consécutifs à la propriété ou aux personnes résultant de l'utilisation de ce produit. Si une réclamation est retournée contre Dansons basée sur la violation de cette garantie ou de tout autre type de garantie explicite ou implicite en droit, le fabricant ne sera en aucun cas tenu responsable des dommages-intérêts spéciaux, punitifs ou indirects de quelque nature que ce soit en surplus du prix d'achat original de ce produit. Toutes les garanties du fabricant sont énoncées ici et aucune réclamation ne sera effectuée contre le fabricant par le biais d'une garantie ou de représentation. Certaines provinces n'autorisent pas l'exclusion ou la limitation des dommages accidentels ou consécutifs, ou les limitations des garanties implicites, de sorte qu'il est possible que les exclusions et limitations énoncées dans cette garantie limitée ne s'appliquent pas à vous. Cette garantie limitée vous donne des droits légaux spécifiques, et vous pourriez aussi avoir d'autres droits légaux qui pourront varier selon l'état ou la province.

COMMANDER DES PIÈCES DE RECHANGE

Pour commander des pièces de rechange, veuillez contacter votre revendeur local ou consulter notre boutique en ligne : www.pitboss-grills.com

CONTACTER LE SERVICE CLIENTS

Si vous avez la moindre question ou si vous rencontrez des problèmes, contactez le service clients : **États-Unis: (480) 923-9630 | Canada (sans frais): 1-877-942-2246**

SERVICE DE LA GARANTIE

Contactez le revendeur de Pit Boss® le plus proche de chez vous si vous avez besoin d'une réparation ou de pièces de rechange. Dansons exige une preuve d'achat afin d'établir une réclamation sous garantie. Ainsi, conservez votre reçu ou votre facture d'origine pour vous y référer ultérieurement. Le numéro de série et de modèle de votre appareil Pit Boss® se trouve au dos de l'unité. Les numéros d'enregistrement ci-dessous ainsi que l'étiquette peuvent s'user ou devenir illisibles.

MODÈLE

NUMÉRO DE SÉRIE

DATE D'ACHAT


REVENDEUR AGRÉÉ

INFORMACIÓN DE SEGURIDAD

LAS PRINCIPALES CAUSAS DE INCENDIOS DE APARATOS SON FRUTO DE UN MANTENIMIENTO DEFICIENTE Y DE QUE NO SE MANTENGA EL ESPACIO SUFICIENTE ENTRE EL APARATO Y LOS MATERIALES COMBUSTIBLES. ES DE SUMA IMPORTANCIA QUE ESTE PRODUCTO SE USE EXCLUSIVAMENTE DE ACUERDO CON LAS INSTRUCCIONES SIGUIENTES.

Lea y entienda todo el manual antes de intentar montar, manejar o instalar el producto. Esto le garantizará un disfrute completo y un funcionamiento sin problemas de su nueva plancha de gas portátil. También le recomendamos que conserve este manual para futuras consultas.

PELIGROS Y ADVERTENCIAS

<p> PELIGRO</p> <p>Si detecta olor a gas:</p> <ul style="list-style-type: none">• Cierre la entrada de gas al aparato• Apague cualquier llama.• Abra la tapa.• Si el olor persiste, manténgase alejado del aparato y llame de inmediato al suministrador de gas o a los bomberos.	<p> ADVERTENCIA</p> <ul style="list-style-type: none">• No guarde ni utilice gasolina ni otros líquidos o vapores inflamables cerca de este u otro aparato.• No guarde cerca de este u otros aparatos ningún tanque de gas licuado que esté desconectado para su uso.	<p>CÓDIGOS DE INSTALACIÓN DE LA BARBACOA</p> <ul style="list-style-type: none">• La instalación debe ser conforme a los códigos locales o, en su ausencia, al código nacional de gas combustible, ANS Z 223.1/NFPA 54, código de instalación de gas natural y propano, CSA B149.1 o código de almacenamiento y manipulación del propano, B149.2.• Los modelos de parrilla de gas LP están diseñados para usarse con un cilindro de gas propano líquido estándar de 9 kg (20 lb), de 46.35 cm (18-1/4") de alto y 31 cm (12-1/4") de diámetro (no se incluye con la parrilla). Nunca conecte la parrilla de gas a un cilindro de gas LP que exceda esta capacidad.
--	--	---

Debe ponerse en contacto con los encargados locales de su vivienda, edificio o de los bomberos, o autoridad competente, para obtener los permisos necesarios, misión o información sobre cualquier restricción de la instalación, como los de cualquier barbacoa que se instale en una superficie combustible, requisitos de inspección o incluso la capacidad de uso, de su zona.

1. Debe mantenerse una distancia mínima de 1,270 mm (50 pulgadas) entre los recipientes de combustible y los lados de la barbacoa, y de 1,270 mm (50 pulgadas) entre la parte posterior de la barbacoa y los recipientes de combustible. **No instale el aparato en suelos combustibles o en suelos protegidos con superficies combustibles a menos que se obtengan los permisos y autorizaciones correspondientes de las autoridades competentes.** No use este aparato en el interior, en áreas cerradas o no ventiladas, dentro de los hogares, vehículos, tiendas de campaña, garajes. Este aparato de pélets de madera no debe colocarse debajo de techos o voladizos combustibles. Mantenga la barbacoa en un área libre de materiales combustibles, gasolina y otros vapores y líquidos inflamables.

En caso de un fuego de grasa, debe apagar el asador y hasta que se apague el fuego. No arroje agua sobre el fuego. No trate de sofocar el fuego. Es muy recomendable mantener cerca un extintor de incendios aprobado para todo tipo de fuego (clase ABC). Si ocurre un incendio sin control, llame al Departamento de Bomberos.

2. El cilindro de petróleo licuado (LP) debe estar construido y marcado de acuerdo con las especificaciones para cilindros de gas LP del Departamento de Transporte de los Estados Unidos (Department of Transportation, D.O.T.) o la Norma Nacional de Canadá, CAN/CSA-B339, Cilindros, Esferas y Tubos para el Transporte de Mercancías Peligrosas; y la Comisión. El tanque de gas LP debe tener una válvula de cierre, que termine en una salida de la válvula del tanque de suministro de gas LP y que sea compatible con un dispositivo de conexión del tanque Tipo 1. El tanque de gas LP también debe tener un dispositivo de descarga de seguridad que tenga una conexión directa con el espacio de vapor del tanque. El sistema de suministro del tanque debe estar preparado para la extracción de vapor. El tanque de gas LP que se utilice debe tener un collar para proteger la válvula del tanque.
3. Debe utilizar un depósito de gas OPD que ofrezca un dispositivo de prevención de sobrellenado. Esta característica de seguridad evita que el tanque se llene en exceso, lo que puede causar que el tanque de gas LP, el regulador de presión o la parrilla funcione mal.
4. Este asador para exteriores no está diseñado para instalarse en/sobre vehículos de recreación o botes

Nunca utilice este aparato en un espacio cerrado, como una casa rodante, una tienda de campaña, un auto, un bote o una casa. Este aparato no está diseñado para ser utilizado como calefactor, y nunca debe utilizarse como tal.

5. No se recomienda que este aparato sea utilizado por niños, personas con capacidades físicas, sensoriales o mentales reducidas, o que no tengan suficiente experiencia y conocimientos, a menos que sean supervisados o dirigidos por una persona responsable de su seguridad.
6. Algunas partes del asador podrían estar muy calientes y pueden causar lesiones graves. Mantenga alejados a los niños pequeños y las mascotas mientras la utiliza. No toque las superficies calientes. Use guantes resistentes al calor, pinzas de mango largo o guantes de cocina en todo momento, ya que el asador se calentará mucho.
7. Nunca use el asador sin que el recipiente de grasa esté instalado y colgado bajo la cámara de combustión. Sin el recipiente de grasa la grasa caliente y los residuos podrían gotear hacia el piso y generar un peligro de incendio.
8. No obstruya el flujo de aire de combustión y de ventilación hacia este aparato. Mantenga el tubo del quemador y los orificios de entrada limpios y libres de escombros. Limpie el aparato antes de usarlo. Es necesario darle cuidado y mantenimiento regular a su unidad para prolongar su vida útil.
9. Siempre busque fugas de gas cuando conecto y desconecte el regulador del cilindro de gas, especialmente después de un período de almacenamiento (por ejemplo, después del invierno). Revise todas las conexiones con una solución de agua jabonosa y una brocha para detectar fugas. Nunca busque fugas usando una llama.
10. Limpie e inspeccione el regulador de gas antes de cada uso del asador a gas para exteriores. Reemplace el regulador de gas antes de usarlo si existe alguna evidencia de abrasión o desgaste excesivo. Solamente use el conjunto de regulador de gas que viene incluido con este asador. No use un regulador de otro fabricante.

No use rocas volcánicas, trozos de madera, carbón, iniciador de flama líquido, alcohol u otros productos químicos similares para encender o volver a encender el asador. Mantenga estas sustancias y líquidos lejos del aparato mientras lo utiliza.

11. Use este aparato exclusivamente con gas licuado de petróleo, según se especifica en la etiqueta informativa de la unidad. No intente usar su asador con otros gases. No intente convertir esta unidad de gas LP a gas natural. No cumplir con esta advertencia podría causar incendios y lesiones corporales, y anulará su garantía.
12. La ubicación del tubo del quemador con respecto al agujero es fundamental para un funcionamiento seguro. Verifique que el agujero esté dentro del tubo del quemador antes de usar la parrilla de gas. Si el tubo del quemador no encaja en el agujero de la válvula, al encender el quemador se puede producir una explosión o un incendio.

ADVERTENCIAS SOBRE EL GAS PROPANO

1. Asegúrese de comprar el cilindro de gas de un distribuidor acreditado. Un tanque de gas LP que se haya llenado incorrectamente o en exceso puede ser peligroso. El llenado excesivo, combinado con el calentamiento del tanque de gas LP (un día caluroso de verano, dejar el tanque bajo el Sol, etc.) puede hacer que el gas LP se escape, ya que el aumento de temperatura hace que el gas se expanda. El gas liberado del cilindro es inflamable y puede ser explosivo.
2. No use un cilindro de gas LP si tiene una válvula dañada o muestra abolladuras, bultos, boquetes, daños por fuego, corrosión, fugas, oxidación excesiva, u otros daños visibles en el exterior; puede ser peligroso y debe ser revisado de inmediato por un proveedor de propano líquido.

Si observa, huele o escucha el silbido del gas escapando del cilindro, no intente encender el aparato. Apague todas las llamas. Desconecte la alimentación de combustible.

3. No conecte ni desconecte el cilindro de gas mientras la unidad está en uso o sigue caliente. Cuando no esté usando el asador, asegúrese de que la perilla del regulador esté en la posición de APAGADO y desconecte el cilindro de gas. Nunca mueva ni transporte la unidad mientras el cilindro de gas está conectado. No almacene un cilindro de gas LP de repuesto debajo del aparato, ni cerca de él.
4. Los cilindros deben almacenarse al aire libre fuera del alcance de los niños y no deben almacenarse en un edificio, garaje o cualquier otra área cerrada.

MONÓXIDO DE CARBONO ("EL ASESINO SILENCIOSO")

Siempre use los aparatos de gas al aire libre en un área abierta con buena ventilación, para evitar respirar los vapores gases tóxicos de la combustión o fugas del gas. El monóxido de carbono es un gas incoloro, inodoro e insípido que se produce al quemar gas, madera, propano, carbón y otros combustibles. El monóxido de carbono reduce la capacidad de la sangre para transportar oxígeno. Los niveles bajos de oxígeno en la sangre pueden causar dolor de cabeza, mareos, debilidad, náuseas, vómitos, somnolencia, confusión, pérdida de la conciencia y muerte. Siga estas instrucciones para evitar que este gas incoloro e inodoro lo intoxique a usted, a su familia o a otras personas:

- Consulte a un médico si usted u otras personas presentan síntomas de resfriado o gripe mientras cocinan o en los alrededores del aparato. La intoxicación por monóxido de carbono, que puede confundirse fácilmente con gripe o resfriado, con frecuencia se detecta demasiado tarde.
- El consumo de alcohol y drogas aumenta los efectos de la intoxicación por monóxido de carbono.

El monóxido de carbono es especialmente tóxico para madres e hijos durante el embarazo, así como para los bebés, los ancianos, los fumadores y las personas con problemas de la sangre y el sistema circulatorio, como anemia o enfermedades cardíacas.

REGISTRO DE SEGURIDAD

De acuerdo con los procedimientos y especificaciones enumerados en ANS Z21.89-2017 · CSA 1.18-2017 "Aparato de gas especial para cocinar al aire libre". Los electrodomésticos de cocina Pit Boss® Grills han sido probados y listados de manera independiente por CSA (un laboratorio de pruebas acreditado) según los estándares de CSA.





AVISO DE DERECHOS DE AUTOR

Copyright 2021. Todos los derechos reservados. Ninguna parte de este manual puede ser copiada, transmitida, transcrita o almacenada en un sistema de respaldo, en ninguna forma y por ningún medio, sin el permiso explícito por escrito de,

Dansons

3411 North 5th Avenue, Suite 500, Phoenix, AZ, USA 85013

www.pitboss-grills.com

Servicio al cliente

EE.UU : (480) 923-9630

Canada (gratuita) : 1-877-942-2246

ÍNDICE

Información de seguridad	40
Conexión a una fuente de gas	
Requisitos del tanque de gas	44
Conexión del tanque de gas	44
Preparación para el uso - prueba de hermeticidad	45
Desconexión del tanque de gas.....	46
Instrucciones de uso	
Entorno de la plancha	46
Primer uso: curado de la parrilla.....	47
Procedimiento de encendido.....	47
Procedimiento de encendido manual.....	48
Apagar su plancha.....	48
Levantando la plancha del carro	49
Usando el soporte de la bolsa de basura	50
Cuidado y mantenimiento	51
Consejos y técnicas	52
Resolución de problemas	53
Piezas de repuesto.....	54
Garantía	58

CONEXIÓN A UNA FUENTE DE GAS

REQUISITOS DE TANQUE DE GAS

La plancha está preparada y probada solo para usarse con gas propano líquido. El regulador que se suministra está configurado para una columna de agua (Water Column, WC) de 27.94 cm (11 pulgadas) y se puede usar exclusivamente con gas propano líquido (LP). El regulador y la manguera que se suministran de fábrica se deben usar con un cilindro de gas LP de 9 kg (20 lb), de 46.35 cm (18-1/4") de alto y 31 cm (12-1/4") de diámetro. **Comuníquese con su proveedor de gas para obtener un regulador especial para gas a granel que alimenta otros aparatos.**

PRECAUCIÓN: Es importante inspeccionar todo el tramo de la manguera de gas. Si es evidente que hay abrasión o desgaste excesivo, o la manguera está cortada, se debe reemplazar antes de utilizar el aparato. El conjunto de manguera de repuesto deberá ser el que especifica el fabricante.

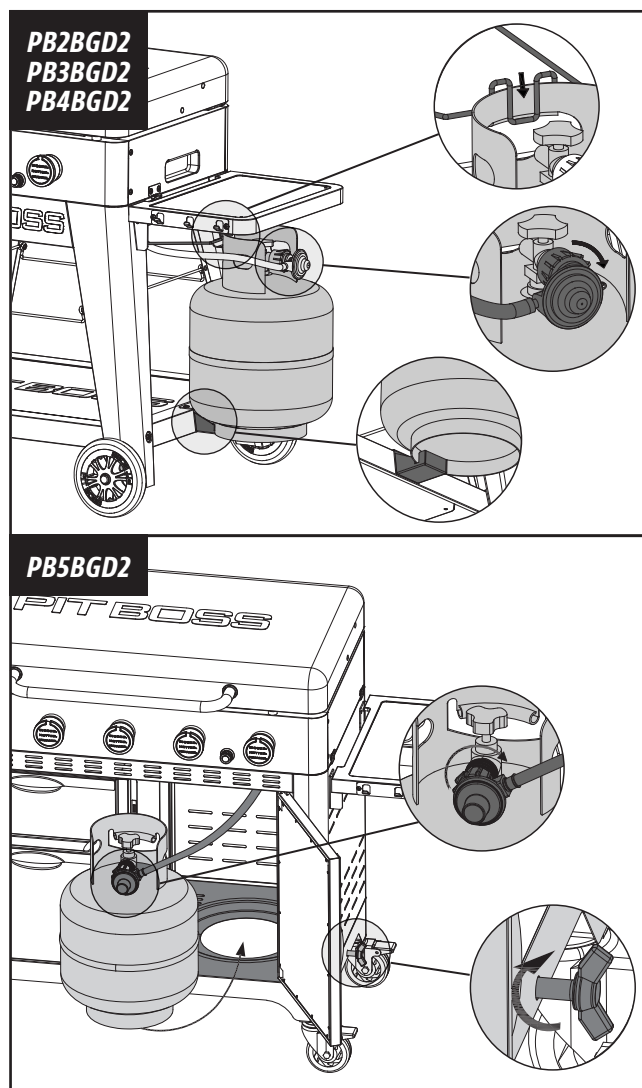
INSTALACIÓN DE UN TANQUE DE GAS

1. Asegúrese de que la válvula del cilindro de gas esté en la posición CLOSED (CERRADA).

- **PB2BGD2 / PB3BGD2 / PB4BGD2** - desde el costado del carro, coloque el anillo de base del cilindro de gas en el soporte del cilindro de gas. Utilice el retenedor del cable del cilindro de gas para que el cilindro de gas se mantenga en una posición fija.
- **PB5BGD2** - coloque el cilindro de gas en el círculo grabado de la bandeja inferior. Gire el perno del cilindro de gas hacia la derecha para mantenerlo en posición.

En todas las unidades, es importante asegurarse de que el cilindro de gas esté completamente en posición vertical, ya que no es seguro utilizar la plancha si el cilindro de gas no está instalado de manera correcta.

2. Asegúrese de que la válvula reguladora de la plancha esté completamente cerrada. Para eso, gire la perilla hacia la derecha a la posición "O" (APAGADO).
3. Retire las tapas protectoras de la abertura de la válvula reguladora y de la parte superior del cilindro de gas. Guarde las tapas. Verifique el cilindro de gas para asegurarse de que tenga las roscas macho externas adecuadas (conexión tipo 1 según la norma ANS Z21.81).
4. Introduzca la válvula del cilindro de gas en la abertura roscada de la válvula reguladora. Gire la tuerca de acoplamiento rápido hacia la derecha hasta que esté firme. Ajústela a mano solamente.
5. El cilindro de gas ya está instalado.



La barbacoa de exteriores, una vez instalada, debe tener una conexión eléctrica a tierra de conformidad con los códigos locales o, en ausencia de estos, con el Código de electricidad nacional ANS/NFPA 70 o el Código de electricidad canadiense, CSA C22.1.

1. No guarde un tanque de gas licuado de repuesto debajo o cerca de este aparato.
2. Nunca llene el tanque por encima del 80 por ciento de su capacidad.

3. Si no se sigue exactamente la información en 1) y 2), puede producirse un incendio que dé lugar a lesiones graves o incluso la muerte.
4. Coloque una tapa guardapolvo en la salida de la válvula del tanque siempre que este no esté en uso. Instale solamente el tipo de tapa guardapolvo en la salida de la válvula del tanque que se suministre con la válvula del tanque. Otros tipos de tapas o tapones pueden dar lugar a fugas de propano.
5. El cilindro de gas LP que se utiliza debe tener un collar para proteger la válvula del cilindro de gas.
6. Siempre mantenga el cilindro de gas a 90 grados (en posición vertical) para facilitar la extracción de vapor.

NOTA: El flujo normal de gas que pasa por el regulador y el conjunto de mangueras puede provocar un zumbido. Un ruido ligero es completamente normal y no interferirá con el funcionamiento de la parrilla. Si el zumbido es fuerte y excesivo, es posible que tenga que purgar el aire de la línea de gas o restablecer el dispositivo de exceso de flujo de gas del regulador. Este procedimiento se debe realizar cada vez que conecte un tanque de gas LP nuevo a la parrilla.

PREPARACIÓN PARA EL USO – PRUEBA DE HERMETICIDAD

Se realiza una prueba de hermeticidad para determinar la integridad de un sello. Antes de usar su asador a gas, haga una prueba de hermeticidad en la conexión entre el regulador y el cilindro de gas para reducir el riesgo de lesiones o muerte debido a un incendio o una explosión. Debe realizar una prueba de hermeticidad por lo menos una vez por estación del año, y además:

- antes de encender su asador por primera vez.
- cada vez que cambie el cilindro de gas,
- después de trasladarlo, sobre todo en caminos de terracería o en mal estado,
- después de un período prolongado de almacenamiento o falta de uso.

CÓMO HACER UNA PRUEBA DE HERMETICIDAD

Materiales requeridos:

- 1 x Tazón (*vacío, limpio*)
- 1 x Brocha de pintura (*limpia*)
- Detergente para vajilla
- Agua

Procedimiento:

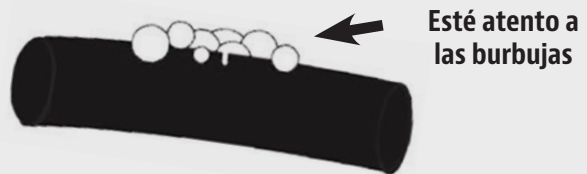
1. Coloque el asador en un lugar ventilado. Asegúrese de que el asador está frío al tacto y no esté encendido. Verifique que la válvula del regulador esté en la posición de APAGADO y que el cilindro de gas está bien sujeto al regulador.

IMPORTANTE: Asegúrese de que no haya fuego ni personas fumando cerca.

2. Mezcle una solución con una parte de agua y una parte de detergente para vajilla en un tazón. La solución formará burbujas, ya que estará concentrada.
3. Use una brocha para aplicar la solución sobre el sello que está entre el regulador y el cilindro de gas. Inspeccione visualmente si aparece una serie de burbujas de un defecto u orificio en el sello.

NOTA: Si aparece una fuga, repita el procedimiento de instalación del cilindro de gas, pero sin apretar demasiado. Apriete solamente con la mano. Repita la prueba de hermeticidad después de volver a instalar para asegurarse de que el sello es seguro.

IMPORTANTE: No use el asador a gas si detecta una fuga de gas que no pueda corregir con el procedimiento de prueba de hermeticidad. Llame al Departamento de Bomberos de su localidad o a Servicio al Cliente para preguntar otras maneras de hacer pruebas para garantizar las precauciones apropiadas.



DESCONEXIÓN DEL TANQUE DE GAS

1. Gire todas las perillas de control a la posición "O" (APAGADO) en la plancha. Asegúrese de que la válvula reguladora del cilindro de gas esté completamente cerrada. Para eso, gire la perilla hacia la posición CLOSED (CERRADO).
2. Gire la tuerca de acoplamiento rápido hacia la derecha (con la mano) para desconectarla de la abertura de la válvula reguladora. Reemplace las tapas protectoras en la abertura de la válvula reguladora y la parte superior del cilindro de gas para su almacenamiento (si no está vacío).

NOTA: si guarda la barbacoa en el interior, deje fuera el tanque de gas.

ADVERTENCIA: no pliegue ni transporte la barbacoa con el tanque de gas conectado. El tanque puede aflojar la válvula y producir una fuga de gas, y posiblemente dé lugar a una explosión, incendio o lesión corporal grave. Desconecte el tanque de gas antes de transportarlo o almacenarlo.

INSTRUCCIONES DE OPERACIÓN

ENTORNO DE LA PLANCHA

1. *DÓNDE INSTALAR LA PLANCHA*

Como en todos los aparatos de uso exterior, las condiciones meteorológicas juegan un papel importante en el funcionamiento de la barbacoa y el tiempo de cocción necesario para que las comidas salgan perfectas. Todas las unidades Pit Boss® Grills deben guardar una distancia mínima de 1,270 mm (50 pulgadas) con los recipientes de combustible y esta distancia debe mantenerse mientras la barbacoa esté en uso. Este aparato no debe colocarse debajo de un techo o voladizo combustible. Mantenga la barbacoa en un área sin materiales combustibles, gasolina y otros vapores y líquidos inflamables.

2. *COCINA EN CLIMAS FRÍOS*

As it becomes cooler outside, that does not mean that grilling season is over! The crisp cool air and heavenly aroma of grilled foods will help cure your winter blues. Follow these suggestions on how to enjoy your grill throughout the cooler months:

- Organícese – Prepare todo lo que necesitará en la cocina antes de salir al exterior. Durante el invierno, mueva su asador a un área que esté a cubierto del viento y el frío directo. Revise las ordenanzas locales sobre la proximidad del asador a su hogar y/o a otras estructuras. Ponga todo lo que necesita en una bandeja, ¡abrigúese bien y hágalo!
- Para ayudarlo a tener el control de la temperatura exterior, coloque un termómetro para exteriores cerca del área en la que cocina. Lleve una bitácora o diario de lo que cocinó, la temperatura exterior y el tiempo de cocido. Esto le ayudará en el futuro para determinar qué cocinar y cuánto se tardará.
- Tenga un hornillo o una cubierta listos para mantener su comida caliente mientras la lleva al interior.

3. *COCINA EN CLIMAS CALIENTES*

Conforme esté más caliente en el exterior, el tiempo de cocción se reducirá. Aproveche estas sugerencias para disfrutar de su asador durante los meses cálidos:

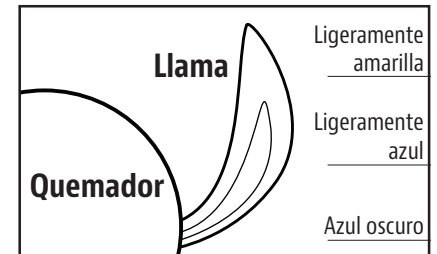
- Ajuste sus temperaturas de cocción a la baja. Esto ayuda a evitar las llamaradas indeseables.
- Use un termómetro de carnes para determinar la temperatura interna de sus comidas. Esto ayuda a evitar que su carne se cocine demasiado y se seque.
- Puede mantener las comidas calientes envolviéndolas en papel aluminio y colocándolas en un recipiente con aislamiento térmico. Coloque bolas de papel periódico alrededor del papel aluminio y esto mantendrá la comida caliente de 3 a 4 horas.

PRIMER USO - «QUEMADO» DEL PLANCHA

Antes de usar su plancha por primera vez con alimentos, es importante hacer un "quemado" completo. Encienda la plancha y opere por un mínimo de 15 minutos en ALTO para quemar la unidad. Esto "limpiará con calor" los componentes internos, disipará los olores y eliminará cualquier materia extraña.

PROCEDIMIENTO DE ENCENDIDO

1. Abra la tapa durante el encendido.
2. Coloque todas las perillas de control en la posición "0".
3. Abra la válvula del cilindro/gas según las instrucciones de uso que figuran en el tanque.
4. Presione y gire la perilla de control de la combustión hacia la izquierda hasta "🔥" (posición de encendido)".
5. Presione el botón de encendido hasta que el quemador se encienda.
6. Si no se enciende en 5 segundos, gire la válvula a la posición "0", espere 5 minutos y repita la instrucción de encendido. Cuando se encienda, observe la llama del quemador. Asegúrese de que todos los puertos del quemador estén encendidos y que la altura de la llama coincida con la imagen que se muestra.
7. Si lo indicado en los puntos anteriores no funcionan, siga el **Procedimiento de encendido manual**.



Si el quemador se apaga durante el funcionamiento, gire las perillas de control hasta la posición "0" (APAGADO). Espere cinco minutos antes de intentar volver a encender para permitir que se disipe el gas acumulado.

PROCEDIMIENTO PARA FALLAS DEL ENCENDEDOR

Si por alguna razón su encendedor no enciende después de tres o cuatro intentos, verifique los siguientes pasos, o encienda su asador con el método manual.

1. Asegúrese de que la perilla del regulador esté en la posición de APAGADO. Deje que el gas acumulado se disipe.
2. Después de cinco minutos, revise lo siguiente:
 - Confirme visualmente que el encendedor está funcionando, oprimiendo el botón del encendedor y observando si hay chispas en la punta del encendedor. De no observar chispas, ajuste la distancia entre la punta del encendedor (electrodo) y el quemador a 4.5 mm (3/16 pulg).
 - Confirme visualmente que el tubo del quemador y los orificios de entrada no estén obstruidos. En caso de que estén obstruidos, siga las instrucciones de **Cuidado y mantenimiento**.
3. Si los puntos anteriores no funcionan, siga las instrucciones de la sección **Solución de problemas**.

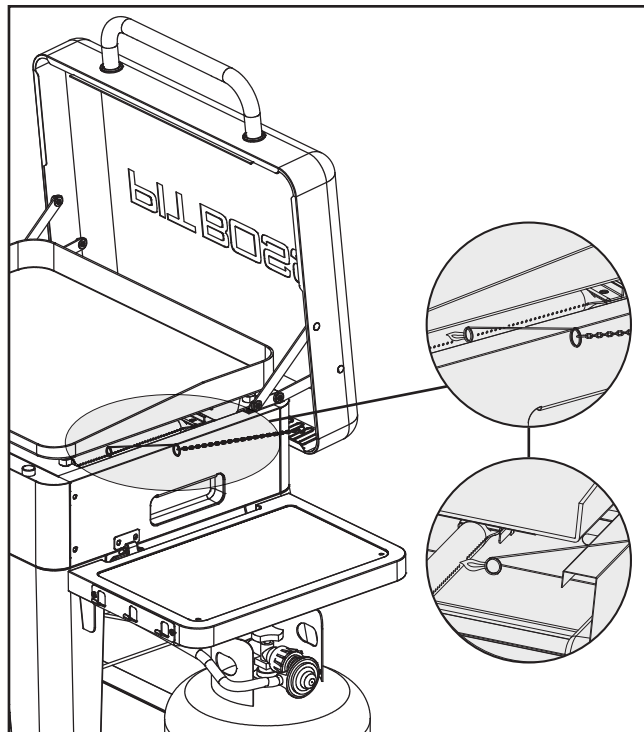
PROCEDIMIENTO DE ENCENDIDO MANUAL

1. Abra la tapa durante el encendido.
2. Coloque todas las perillas de control en la posición "O".
3. Abra la válvula del cilindro/gas según las instrucciones de uso que figuran en el tanque.
4. Rápidamente y con cuidado, encienda el quemador con una cerilla encendida asegurada con la varilla de encendido (que se incluye con la parrilla). Acceda al quemador desde debajo de la placa de cocción. Coloque la cerilla encendida cerca del costado del quemador.

PRECAUCIÓN: No intente encender otra área del quemador, ya que esto podría provocarle lesiones.

5. Presione y gire la perilla de control del quemador hacia la izquierda hasta "🔥" (posición de encendido); una vez que se encienda el quemador sostenga la perilla durante 10 segundos. Escuchará el sonido de "chasquido" de la chispa hasta después de soltar la perilla.

NOTA: No use alcohol, líquido para encendedores ni queroseno para encender o reavivar el fuego de la plancha.



6. Si el quemador no se enciende en 5 segundos, gire la perilla de control del quemador hasta la posición "O", espere 5 minutos y repita las instrucciones de encendido. Cuando se encienda, observe la llama del quemador. Asegúrese de que todos los puertos del quemador estén encendidos y que la altura de la llama coincida con la imagen mostrada anteriormente.

NOTA: Cada quemador se enciende de forma independiente; repita los mismos pasos para el resto de los quemadores.

ADVERTENCIA: Nunca se incline sobre el área de cocción mientras enciende la parrilla de gas. Cuando encienda la parrilla con una cerilla, mantenga la cara y el cuerpo a una distancia segura (por lo menos a 457 mm [18 pulgadas]) de la superficie de la rejilla de cocina.

7. Si los puntos mencionados anteriormente no funcionan, consulte la ***solución de problemas***.

APAGAR SU PLANCHA

1. Cuando termine de cocinar, gire la válvula del cilindro de gas a la posición CLOSED (CERRADO) y deje salir la perilla del regulador. Esta característica de seguridad bloquea la perilla del regulador para garantizar que el gas deje de fluir.
2. Gire todas las perillas de control a la posición "O".

NOTA: es normal oír un sonido "puf" cuando se queman los restos del gas licuado.

3. Desconecte el tanque de gas licuado de acuerdo con la sección ***desconectar el tanque de gas***.

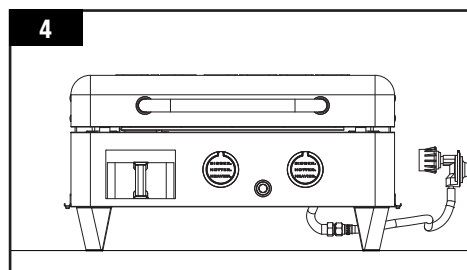
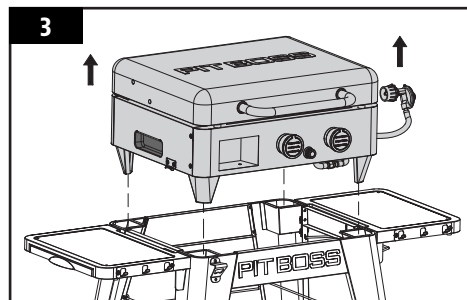
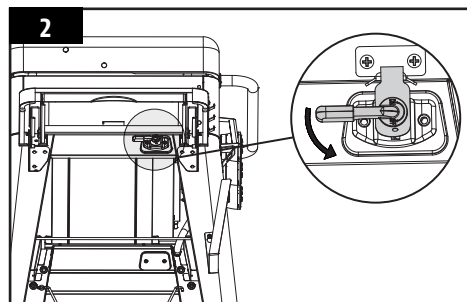
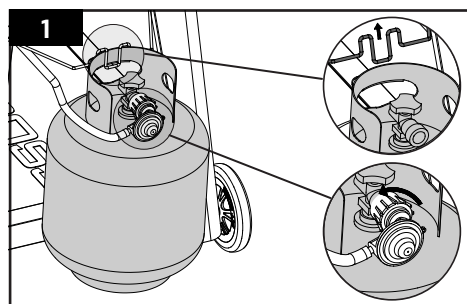
ADVERTENCIA: deje enfriar la barbacoa por completo y retire el tanque de gas antes de mover la unidad, de viajar con ella o de guardarla.

LEVANTANDO LA PLANCHA DEL CARRO

La plancha se puede levantar de forma rápida y fácil del carro para ir de picnic o de viaje. Simplemente siga las instrucciones de montaje en orden inverso o consulte el siguiente resumen:

IMPORTANTE: Siempre asegúrese de que la plancha esté completamente fría, se haya desconectado del suministro de gas y se haya retirado el recipiente para la grasa.

1. Desconecte la unidad del suministro de gas. Para separar el conjunto del regulador de presión de la válvula del cilindro, gire la tuerca de acoplamiento rápido hacia la izquierda. Retire el retenedor del cable del cilindro de gas. Luego, retire el cilindro de gas.
2. Gire los pestillos (uno en cada lado) para liberar la caja de fuego del carro.
3. Con la ayuda de dos personas, levante con cuidado la plancha del carro mediante las ranuras de cada lado. Tenga cuidado especialmente con el regulador y la manguera cuando la levante.
4. Coloque la caja de fuego en el suelo, o en el lugar que desee, de inmediato para evitar lesionarse o dañar la unidad.

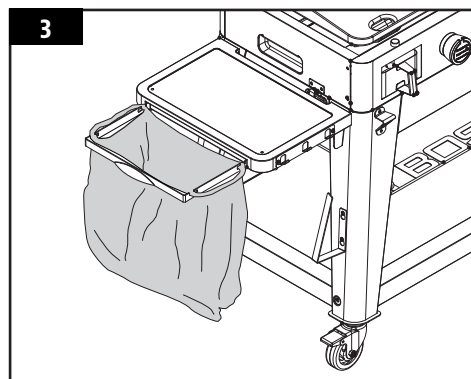
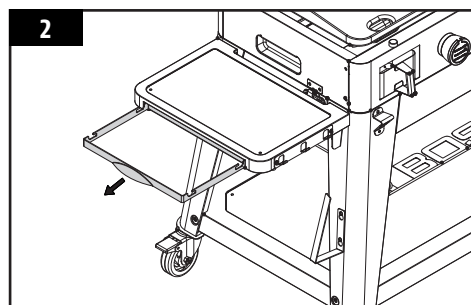
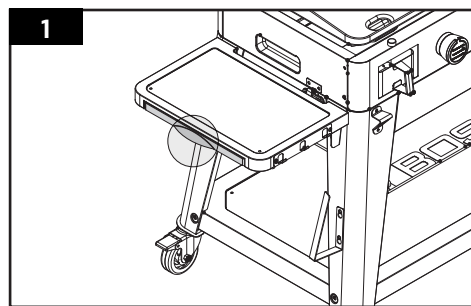


USANDO EL SOPORTE DE LA BOLSA DE BASURA

La recolección de basura nunca ha sido tan fácil con el soporte para bolsas de basura. Ubicado debajo del estante lateral izquierdo, este marco de acero inoxidable es fácil de limpiar y funciona con una bolsa de plástico estándar de tamaño regular, por lo general alrededor de 10 a 20 litros (2,5 a 5 galones) de volumen. El marco también está diseñado para contener la mayoría de las bolsas de basura estándar (con o sin asas) de hasta 60 litros (16 galones) de volumen.

IMPORTANTE: tenga en cuenta cuánto peso se pone en la bolsa en el soporte de la bolsa de basura. Cambie la bolsa con frecuencia para evitar comprometer la integridad de la estructura y los componentes del soporte de la bolsa de basura.

1. Localice el agarre del soporte de la bolsa de basura en el estante lateral izquierdo.
2. Extraiga el soporte de la bolsa de basura para exponer los soportes del marco.
3. Agregue una bolsa de plástico para comestibles o una bolsa de basura estándar al soporte para bolsas de basura. Use las asas de una bolsa de la compra para enrollar los soportes del marco, o enrolle la bolsa de basura alrededor de tres lados del marco para mantenerla en su lugar.



CUIDADO Y MANTENIMIENTO

REVISIÓN DEL NIVEL DE GAS

Para revisar la cantidad de combustible en el cilindro de gas LP, el asador debe estar en operación. Coloque su mano en la parte superior del tanque y deslícela lentamente hacia abajo hasta que el tanque se sienta frío al tacto. Esto indicará la cantidad aproximada de gas en su tanque; si está $\frac{3}{4}$ vacío, reemplácelo con un tanque lleno

IMPORTANTE: No use briquetas de carbón ni otro material inflamable en su asador. El uso de estos materiales anulará su garantía y podría causar un incendio, explosión o lesiones corporales.

FRECUENCIA DE LIMPIEZA

Todas las unidades Pit Boss® Grills le darán muchos años de delicioso servicio con un mínimo de limpieza. Siga estas indicaciones de mantenimiento y limpieza para dar servicio a su asador:

1. COMPONENTES DEL QUEMADOR

- Limpie el quemador cada vez que se detecte una acumulación importante, para asegurarse de que no haya indicios de obstrucción (residuos, insectos) en el tubo del quemador ni en los ojos de buey del quemador. Tras períodos de almacenamiento, las arañas o los insectos pequeños pueden construir nidos, telarañas y poner huevos en el tubo del quemador, obstruyendo el flujo de gas al quemador. Un tubo obstruido puede provocar un incendio debajo del aparato. Si almacena la parrilla o antes de un período prolongado sin uso, retire el quemador y envuélvalo con papel de aluminio para reducir el riesgo de que los insectos ingresen en los agujeros del quemador.
- El quemador se ha preestablecido para un rendimiento óptimo de la llama. Una llama azul, posiblemente con una pequeña punta amarilla, es el resultado de la mezcla óptima de aire y gas. Si las llamas son excesivamente amarillas, anaranjadas o irregulares, limpie los depósitos de aceite y alimentos de la superficie del quemador y de las aberturas del quemador para aumentar el flujo de aire.

2. COMPONENTES DE COCINA

- La placa de cocción de la plancha tiene revestimiento cerámico. Se recomienda usar utensilios de madera, silicona o nylon, ya que estos materiales reducirán el desgaste de la superficie de cocina.
- La unidad viene preparada de fábrica, pero es importante limpiar y curar la placa de cocción después de cada uso para evitar que se oxide, prolongar la vida útil de la plancha y crear una superficie de cocción antiadherente. El curado de la plancha es un proceso continuo que se debe repetir durante la vida útil de la plancha para garantizar la mejor experiencia de cocción y una vida útil más prolongada.
 1. Limpie la placa de cocción después de cada uso con una espátula o rasqueta para eliminar todos los alimentos y restos.
 2. Aplique una capa uniforme de aceite de cocina en la superficie de cocción. Los aceites vegetales, de oliva, de cacahuete, de coco y de sésamo son adecuados para curar la plancha.
 3. Deje enfriar en un lugar fresco y seco.

3. EXTERIOR DE LA PLANCHA

- Revise su recipiente de grasa a menudo y límpielo si es necesario. Tenga en cuenta el tipo de alimentos que se cocinan.
- ¡Use una cubierta de asador para darle una mayor protección a su asador! Una cubierta es la mejor protección contra el tiempo y los contaminantes externos. Cuando no lo use, o para almacenarlo por períodos prolongados, mantenga el asador bajo una cubierta en una cochera o cobertizo, después de quitar el cilindro de gas (que debe almacenarse en exteriores).

TABLA DE FRECUENCIA DE LIMPIEZA (USO NORMAL)

ARTÍCULO	FRECUENCIA DE LIMPIEZA	MÉTODO DE LIMPIEZA
Superficie de cocción	Después de cada uso	Queme el exceso, el estropajo y el agua jabonosa, sazone con aceite de cocina
Recipiente de grasa	Después de cada uso	Vaciar, fibra de limpieza y agua jabonosa
Tubo del quemador, orificios de entrada	Cada 5-6 usos	Sacudir, fibra de limpieza y agua jabonosa
Quemadores	Cada 5-6 usos	Fibra de limpieza y agua jabonosa
Carro	Según sea necesario	Paño no abrasivo y agua con jabón

CONSEJOS Y TÉCNICAS

Siga estas prácticas sugerencias y técnicas que nos han hecho llegar propietarios de productos Pit Boss®, nuestros empleados y clientes como usted, para familiarizarse con la barbacoa:

1. SEGURIDAD ALIMENTARIA

- Mantenga limpios todos los elementos de cocina y la zona de cocina. Para la carne cocinada use fuentes y utensilios diferentes a los que haya usado para preparar o transportar la carne cruda a la barbacoa. De esa manera evitar la contaminación cruzada de bacterias. Use un utensilio distinto para cada adobo o salsa.
- Mantenga calientes los alimentos calientes (más de 60 °C/140 °F) y fríos los alimentos fríos (menos de 3 °C/37 °F). Los alimentos cocinados no deben permanecer fuera a altas temperaturas durante más de una hora. No deje los alimentos calientes fuera de la nevera durante más de dos horas.
- No guarde nunca el resto de un adobo para usar en otra ocasión. Si lo va a servir con la carne, asegúrese de que hierva antes de servirlo.
- Descongele y macere las carnes mediante refrigeración. No descongele carne a temperatura ambiente o en una encimera. Las bacterias pueden aumentar y multiplicarse rápidamente en los alimentos calientes y húmedos. Lávese bien las manos con agua jabonosa después de comenzar a preparar la comida y después de manipular carne, pescado y aves crudas.

2. PREPARACIÓN PARA COCINAR

- Prepárese, o dicho de otro modo **manos a la obra**. Con esto nos referimos a estar preparados para la receta de cocina y disponer del combustible, los accesorios, utensilios y todos los ingredientes que necesite cerca de la barbacoa antes de empezar a cocinar. También conviene leer la receta completa, de principio a fin, antes de encender la barbacoa.
- Una alfombrilla para barbacoas también es muy práctica. Debido a los accidentes que se producen al cocinar alimentos y a las salpicaduras, una esterilla para barbacoas protegerá cualquier suelo, patio o plataforma de piedra contra posibles manchas de grasa o derramamientos accidentales.

3. CONSEJOS Y TÉCNICAS PARA COCINAR EN LA BARBACOA

- Use siempre un termómetro para carnes para conocer la temperatura interna de los alimentos que está cocinando. Se recomienda colocar los alimentos cocinados en una fuente precalentada para mantenerlos calientes. A las carnes rojas, como chuletones y asados, les va bien dejarlos reposar varios minutos antes de servir. Permite que los jugos que el calor hizo salir a la superficie vuelvan al centro de la carne y les añadan sabor.
- Las salsas con azúcar es mejor aplicarlas al final de la cocción para impedir fuegos y llamaradas inesperadas.
- Use un juego de tenazas de mango largo para voltear la carne y una espátula para voltear hamburguesas y pescado. Con un utensilio perforador, como un tenedor, puede pinchar la carne para que salga su jugo.

RESOLUCIÓN DE PROBLEMAS

Una limpieza y mantenimiento adecuados impedirán que surjan los problemas de funcionamiento más comunes. Cuando la barbacoa no funcione bien o se use con menor frecuencia, las siguientes sugerencias de solución de problemas pueden resultar útiles. Consulte las preguntas frecuentes en www.pitboss-grills.com. Si necesita ayuda, también puede ponerse en contacto con su distribuidor local o con el servicio de atención al cliente.

ADVERTENCIA: Asegúrese siempre de que la parrilla se ha enfriado por completo para evitar lesiones.

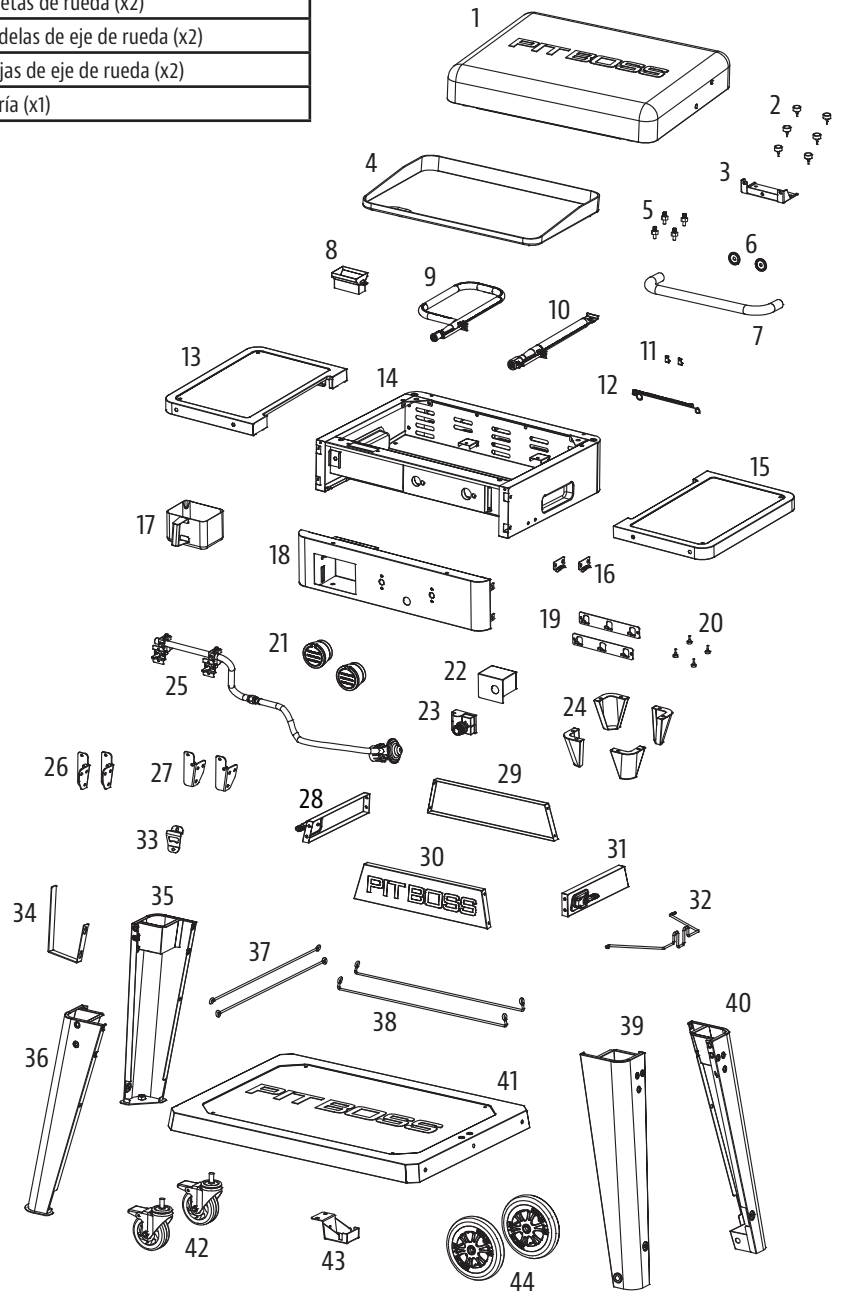
PROBLEMA	CAUSA	SOLUCIÓN
El quemador no se enciende	El cable de ignición está roto	Póngase en contacto con el servicio de atención al cliente para solicitar asistencia o recambios.
	El electrodo no produce una chispa de ignición	Ajuste el electrodo. Póngase en contacto con el servicio de atención al cliente para solicitar asistencia o recambios.
	No hay suministro de gas	Compruebe la válvula del regulador. Compruebe si hay fugas en la conexión.
Fuego por grasa/ llamaradas frecuentes	Asar carnes grasas	Ase las carnes grasas con la superficie de cocción fría y las perillas en posición LOW (temperatura baja).
	Temperatura de cocción	Pruebe a cocinar a temperatura más baja. La grasa tiene un punto de inflamación. Mantenga la temperatura por debajo de los 176 °C/350 °F cuando cocine alimentos muy grasos.
	Agua arrojada sobre llamas de gas	No arroje agua sobre las llamas de gas.
El quemador se apaga	No sale gas	Verifique la conexión del gas y asegúrese de que está abierta. Sustituya el tanque de gas si está vacío.
	Ráfagas de viento o viento fuerte	Cambie de lugar o gire la barbacoa para que el viento no le dé de frente o aumente la intensidad de la llama.
Baja temperatura en la posición HIGH (temperatura alta)	Puertos bloqueados	Retire las obstrucciones que pueda haber en los puertos.
	Tanque de gas vacío	Rellene el tanque de gas.
Fuga de gas	Instalación incorrecta	Gire la perilla del regulador a la posición OFF (apagado) y asegúrese de que sale hacia fuera. Retire el tanque de gas. Vuelva a colocarlo y apriételo. Realice una prueba de fugas para asegurarse de que está correctamente sellado. Sustituya el tanque de gas si está dañado.
	Fallo del sellado	El tanque de gas está corroído, oxidado o se ha manejado incorrectamente. Sustituya el tanque de gas.
	Fallo del regulador	Es necesario sustituir el regulador. Póngase en contacto con el servicio de atención al cliente para solicitar el recambio.
La llama del quemador es amarilla o naranja	Circulación de aire insuficiente	Compruebe si no hay telarañas u otras obstrucciones en el tubo o en los puertos del quemador. Siga las instrucciones de cuidado y mantenimiento para limpiar el tubo del quemador.
	Obstrucción del quemador	
	El recipiente para la grasa está lleno, se derrama	Vacíe el recipiente para la grasa y vuelva a colocarlo. Siga las instrucciones de cuidado y mantenimiento .
	La válvula del regulador está apagada	Compruebe la conexión de la válvula del regulador al tanque de gas. Retírelo y, luego, vuelva a colocarlo. Realice una prueba de fugas.
	El quemador está sucio	Gire la perilla del regulador a la posición HIGH (temperatura alta) durante cinco minutos y cure la unidad. Siga las instrucciones de cuidado y mantenimiento .

PIEZAS DE REPUESTO

PB2BGD2

N.º	Descripción
1	Tapa (x1)
2	Goma de soporte de la tapa (x6)
3	Soporte de la tapa (x1)
4	Placa de cocción (x1)
5	Tornillos de la pata de la placa de cocción (x4)
6	Bisel de la manija de la tapa (x2)
7	Manija de la tapa (x1)
8	Depósito de salida de grasa (x1)
9	Quemador en forma de P (x1)
10	Quemador derecho (x1)
11	Placa de retención de la varilla de encendido (x2)
12	Varilla de encendido (x1)
13	Bandeja lateral: izquierda (x1)
14	Conjunto de caja de fuego (x1)
15	Bandeja lateral: derecha (x1)
16	Gancho de cierre (x2)
17	Recipiente para la grasa (x1)
18	Panel de control de la caja de fuego (x1)
19	Panel de ganchos de la bandeja lateral (x2)
20	Goma de la bandeja lateral (x4)
21	Perilla de control (x2)
22	Protector de calor del encendedor (x1)
23	Encendedor (x1)
24	Patatas de la caja de fuego (x4)
25	Conjunto de válvulas (x1)
26	Soporte de la bandeja lateral: izquierdo (x2)
27	Soporte de la bandeja lateral: derecho (x2)
28	Panel lateral del carro: izquierdo (x1)
29	Panel trasero del carro (x1)
30	Panel delantero del carro (x1)
31	Panel lateral del carro: derecho (x1)
32	Retenedor del cable del cilindro de gas (x1)
33	Abridor de botellas (x1)
34	Gancho para papel de cocina (x1)
35	Pata de apoyo para la rueda giratoria trasera (x1)
36	Pata de apoyo para la rueda giratoria delantera (x1)
37	Barra A del carro (x2)
38	Barra B del carro (x2)
39	Pata de apoyo para la rueda delantera (x1)
40	Pata de apoyo para la rueda trasera (x1)
41	Bandeja inferior (x1)
42	Rueda giratoria de bloqueo (x2)
43	Soporte de apoyo del cilindro de gas (x1)
44	Rueda (x2)

N.º	Descripción
A	Tornillo (x40)
B	Tornillo (x4)
C	Arandela (x23)
D	Arandelas de seguridad (x23)
E	Tornillo (x4)
F	Chavetas de rueda (x2)
G	Arandelas de eje de rueda (x2)
H	Clavijas de eje de rueda (x2)
I	Batería (x1)

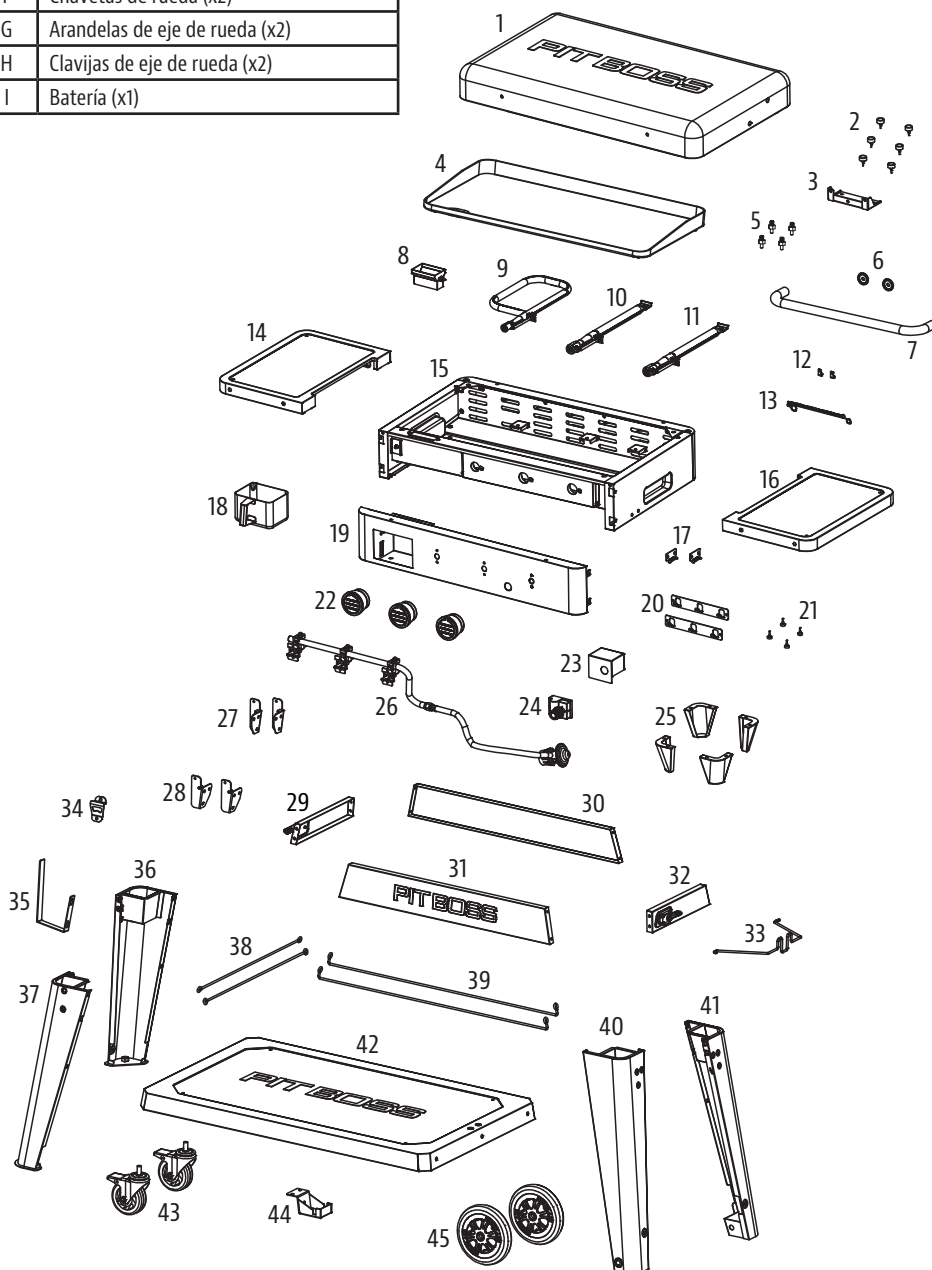


NOTA: Debido a que los productos están en desarrollo constante, las partes están sujetas a cambios sin previo aviso.

PB3BGD2

N.º	Descripción
1	Tapa (x1)
2	Goma de soporte de la tapa (x6)
3	Soporte de la tapa (x1)
4	Placa de cocción (x1)
5	Tornillos de la pata de la placa de cocción (x4)
6	Bisel de la manija de la tapa (x2)
7	Manija de la tapa (x1)
8	Depósito de salida de grasa (x1)
9	Quemador en forma de P (x1)
10	Quemador del medio (x1)
11	Quemador derecho (x1)
12	Placa de retención de la varilla de encendido (x2)
13	Varilla de encendido (x1)
14	Bandeja lateral: izquierda (x1)
15	Conjunto de caja de fuego (x1)
16	Bandeja lateral: derecha (x1)
17	Gancho de cierre (x2)
18	Recipiente para la grasa (x1)
19	Panel de control de la caja de fuego (x1)
20	Panel de ganchos de la bandeja lateral (x2)
21	Goma de la bandeja lateral (x4)
22	Perilla de control (x3)
23	Protector de calor del encendedor (x1)
24	Encendedor (x1)
25	Patas de la caja de fuego (x4)
26	Conjunto de válvulas (x1)
27	Soporte de la bandeja lateral: izquierdo (x2)
28	Soporte de la bandeja lateral: derecho (x2)
29	Panel lateral del carro: izquierdo (x1)
30	Panel trasero del carro (x1)
31	Panel delantero del carro (x1)
32	Panel lateral del carro: derecho (x1)
33	Retenedor del cable del cilindro de gas (x1)
34	Abridor de botellas (x1)
35	Gancho para papel de cocina (x1)
36	Pata de apoyo para la rueda giratoria trasera (x1)
37	Pata de apoyo para la rueda giratoria delantera (x1)
38	Barra A del carro (x2)
39	Barra B del carro (x2)
40	Pata de apoyo para la rueda delantera (x1)
41	Pata de apoyo para la rueda trasera (x1)
42	Bandeja inferior (x1)
43	Rueda giratoria de bloqueo (x2)
44	Soporte de apoyo del cilindro de gas (x1)
45	Rueda (x2)

N.º	Descripción
A	Tornillo (x40)
B	Tornillo (x4)
C	Arandela (x23)
D	Arandelas de seguridad (x23)
E	Tornillo (x4)
F	Chavetas de rueda (x2)
G	Arandelas de eje de rueda (x2)
H	Clavijas de eje de rueda (x2)
I	Batería (x1)

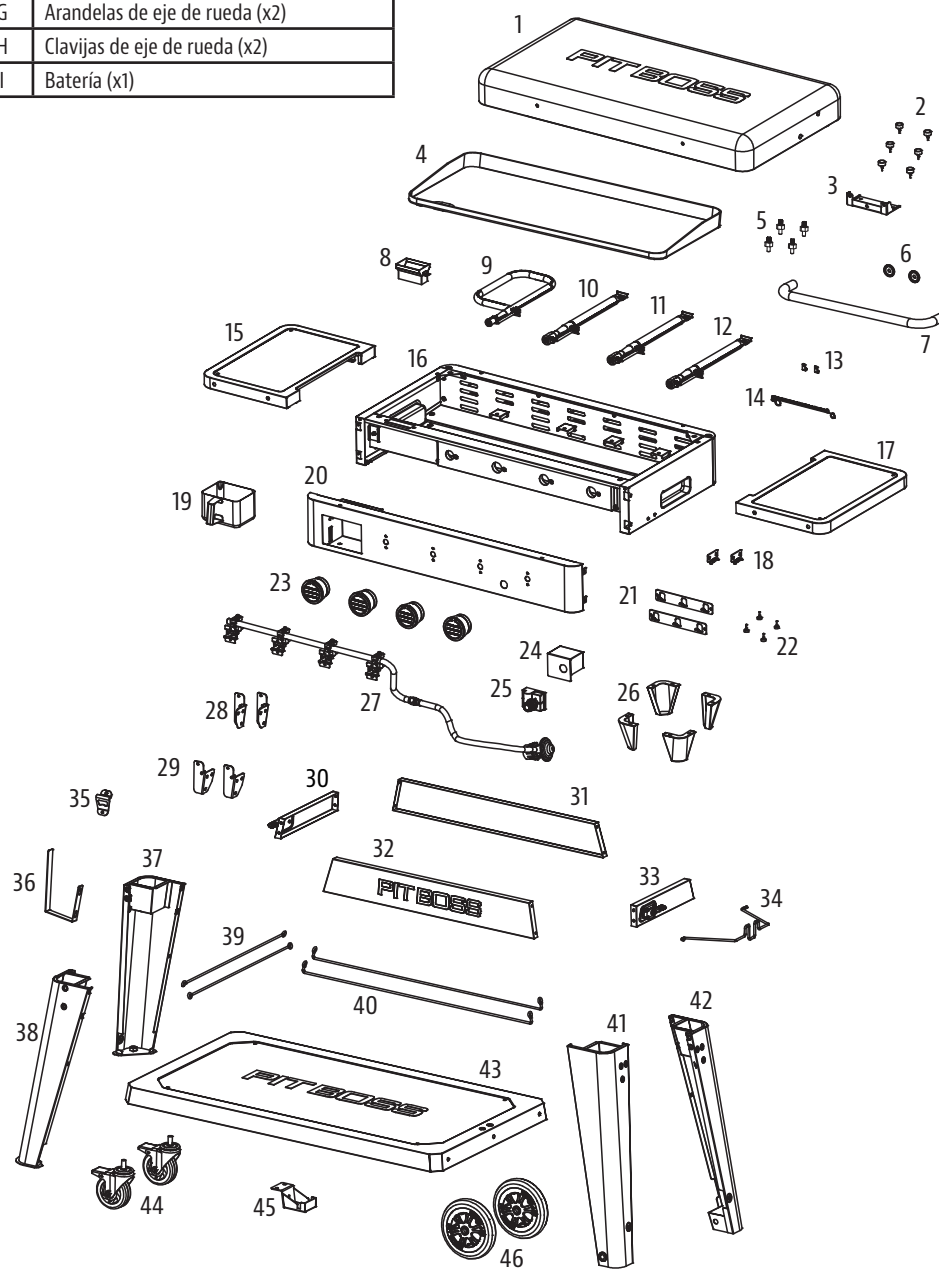


NOTA: Debido a que los productos están en desarrollo constante, las partes están sujetas a cambios sin previo aviso.

PB4BGD2

N.º	Descripción
1	Tapa (x1)
2	Goma de soporte de la tapa (x6)
3	Soporte de la tapa (x1)
4	Placa de cocción (x1)
5	Tornillos de la pata de la placa de cocción (x4)
6	Bisel de la manija de la tapa (x2)
7	Manija de la tapa (x1)
8	Depósito de salida de grasa (x1)
9	Quemador en forma de P (x1)
10	Quemador izquierdo (x1)
11	Quemador del medio (x1)
12	Quemador derecho (x1)
13	Placa de retención de la varilla de encendido (x2)
14	Varilla de encendido (x1)
15	Bandeja lateral: izquierda (x1)
16	Conjunto de caja de fuego (x1)
17	Bandeja lateral: derecha (x1)
18	Gancho de cierre (x2)
19	Recipiente para la grasa (x1)
20	Panel de control de la caja de fuego (x1)
21	Panel de ganchos de la bandeja lateral (x2)
22	Goma de la bandeja lateral (x4)
23	Perilla de control (x4)
24	Protector de calor del encendedor (x1)
25	Encendedor (x1)
26	Patatas de la caja de fuego (x4)
27	Conjunto de válvulas (x1)
28	Soporte de la bandeja lateral: izquierdo (x2)
29	Soporte de la bandeja lateral: derecho (x2)
30	Panel lateral del carro: izquierdo (x1)
31	Panel trasero del carro (x1)
32	Panel delantero del carro (x1)
33	Panel lateral del carro: derecho (x1)
34	Retenedor del cable del cilindro de gas (x1)
35	Abridor de botellas (x1)
36	Gancho para papel de cocina (x1)
37	Pata de apoyo para la rueda giratoria trasera (x1)
38	Pata de apoyo para la rueda giratoria delantera (x1)
39	Barra A del carro (x2)
40	Barra B del carro (x2)
41	Pata de apoyo para la rueda delantera (x1)
42	Pata de apoyo para la rueda trasera (x1)
43	Bandeja inferior (x1)
44	Rueda giratoria de bloqueo (x2)
45	Soporte de apoyo del cilindro de gas (x1)
46	Rueda (x2)

N.º	Descripción
A	Tornillo (x40)
B	Tornillo (x4)
C	Arandela (x23)
D	Arandelas de seguridad (x23)
E	Tornillo (x4)
F	Chavetas de rueda (x2)
G	Arandelas de eje de rueda (x2)
H	Clavijas de eje de rueda (x2)
I	Batería (x1)

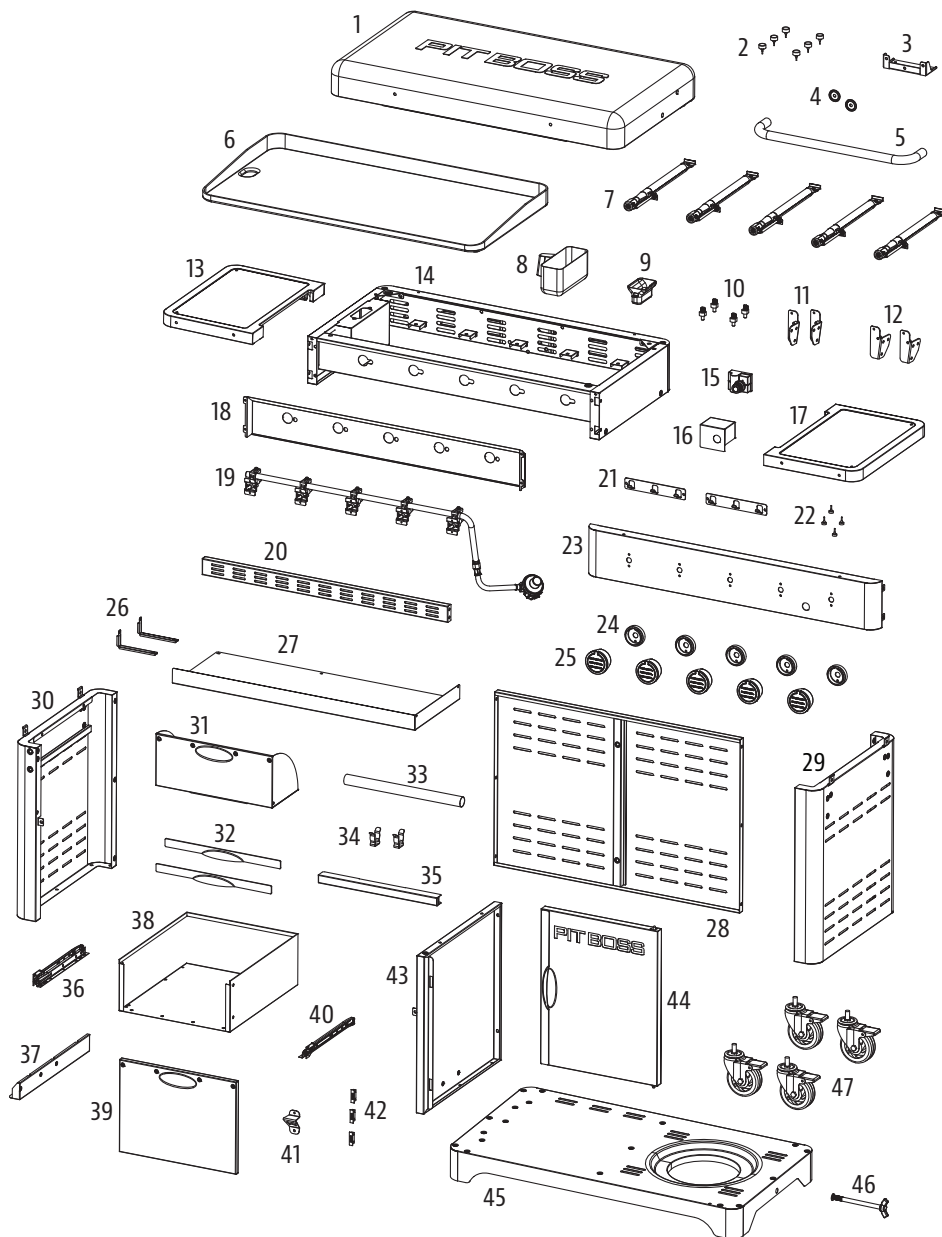
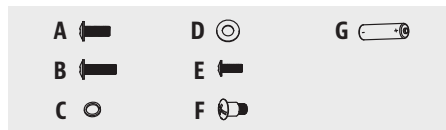


NOTA: Debido a que los productos están en desarrollo constante, las partes están sujetas a cambios sin previo aviso.

PB5BGD2

N.º	Descripción
1	Tapa (x1)
2	Goma de soporte de la tapa (x6)
3	Soporte de la tapa (x1)
4	Bisel de la manija de la tapa (x2)
5	Manija de la tapa (x1)
6	Placa de cocción (x1)
7	Quemadores (x5)
8	Recipiente para la grasa (x1)
9	Depósito de salida de grasa (x1)
10	Tornillos de la pata de la placa de cocción (x4)
11	Soporte de la bandeja lateral: izquierdo (x2)
12	Soporte de la bandeja lateral: derecho (x2)
13	Bandeja lateral: izquierda (x1)
14	Conjunto de caja de fuego (x1)
15	Encendedor (x1)
16	Protector de calor del encendedor (x1)
17	Bandeja lateral: derecha (x1)
18	Protector de calor delantero (x1)
19	Conjunto de válvulas (x1)
20	Panel delantero del carro (x1)
21	Panel de ganchos de la bandeja lateral (x2)
22	Goma de la bandeja lateral (x4)
23	Panel de control de la caja de fuego (x1)
24	Base de la perilla de control (x5)
25	Perilla de control (x5)
26	Heat Shield Bracket (x2)
27	Soporte del protector de calor (x2)
28	Panel del protector de calor (x1)
29	Panel lateral del carro: derecho (x1)
30	Panel lateral del carro: izquierdo (x1)
31	Cajón abatible (x1)
32	Manija del cajón (x2)
33	Barra para papel de cocina (x1)
34	Tope (x2)
35	Barra de soporte del cajón (x1)
36	Rieles del cajón: izquierdo (x1)
37	Soporte del riel (x1)
38	Cajón (x1)
39	Frente del cajón (x1)
40	Rieles del cajón: derecho (x1)
41	Abridor de botellas (x1)
42	Hebilla magnética (x3)
43	División del carro (x1)
44	Puerta del gabinete (x1)
45	Parte inferior del carro (x1)
46	Perno del cilindro de gas (x1)
47	Rueda giratoria de bloqueo (x4)

N.º	Descripción
A	Tornillo (x54)
B	Tornillo (x2)
C	Arandelas de seguridad (x14)
D	Arandela (x14)
E	Tornillo (x14)
F	Tornillo (x6)
G	Batería (x1)



NOTA: Debido a que los productos están en desarrollo constante, las partes están sujetas a cambios sin previo aviso.

GARANTÍA

CONDICIONES

Todos los planchas a gas Pit Boss® Grills, fabricados por Dansons, tienen una garantía limitada a partir de la fecha de venta solo para el comprador original. La cobertura de la garantía comienza en la fecha original de compra y es necesario un comprobante de la fecha de la compra o una copia de la factura original de compra para validar la garantía. Los clientes deberán cubrir el costo de los repuestos, manejo y envío si no pueden proporcionar el comprobante de compra o si la garantía ha expirado. Dansons ofrece una garantía por dos (2) años contra defectos de materiales y mano de obra en todas las piezas. Dansons garantiza que todas las piezas están libres de defectos materiales y de mano de obra, para el periodo de uso y propiedad del comprador original. La garantía no cubre daños por desgaste normal, tales como rasguños, abolladuras, muescas o fisuras menores superficiales. Estos cambios estéticos en el asador no afectan su rendimiento. La reparación o reemplazo de cualquier pieza no extiende el periodo e garantía limitada más allá de dos (2) años a partir de la fecha de compra.

Durante el periodo de la garantía, la obligación de Dansons se limitará solo a suministrar un reemplazo para componentes defectuosos o que presenten fallas. Durante el periodo de garantía, Dansons no cobrará por la reparación o reemplazo de piezas devueltas, con envío pagado previamente, si considera que las piezas son defectuosas luego de haberlas examinado. Dansons no será responsable de costos de transporte, mano de obra o derechos de exportación. Salvo por lo establecido en estas condiciones de la garantía, la reparación o reemplazo de piezas, de la manera y durante el periodo aquí mencionados, constituye el cumplimiento de todas las responsabilidades y obligaciones, directas y derivadas, de Dansons hacia usted. Dansons hace todo lo posible por utilizar materiales que retarden la oxidación. Incluso con estas precauciones, diferentes sustancias y condiciones fuera del control de Dansons pueden afectar los recubrimientos protectores. Las temperaturas altas, la humedad excesiva, el cloro, los humos industriales, los fertilizantes, los pesticidas de jardín y la sal son algunas de las sustancias que pueden afectar los recubrimientos del metal. Por estas razones, la garantía no cubre corrosión ni oxidación, a menos que exista una pérdida de la integridad estructural de los componentes del asador. Si ocurre alguna de las condiciones anteriores, consulte la sección de cuidado y mantenimiento para prolongar la vida útil de su unidad. Dansons recomienda el uso de una cubierta cuando el asador no esté en uso.

Esta garantía se basa en el uso y servicio doméstico normal del asador, y ninguna garantía limitada se aplica a un asador que se utilice en aplicaciones comerciales.

EXCEPCIONES

No existe una garantía escrita o implícita de desempeño en los productos de Pit Boss® Grills, ya que el fabricante no tiene control sobre la instalación, la operación, la limpieza, el mantenimiento o el tipo de combustible utilizado. Esta garantía no aplicará, y Dansons no asumirá ninguna responsabilidad, si su aparato no se instaló, operó, limpió o mantuvo en estricto cumplimiento con este manual del propietario. Cualquier uso de gas que no se explique en este manual puede anular la garantía. La garantía no cubre daños ni fallas debidas al mal uso, manejo inapropiado o modificaciones. Ni Dansons ni el distribuidor autorizado de Pit Boss® Grills asumen responsabilidad alguna, jurídica o de otro tipo, por los daños accidentales o consecuentes a los bienes o las personas debido al uso de este producto. Si se inicia una demanda contra Dansons con base en una infracción de esta garantía o de cualquier otro tipo de garantía explícita o implícita por la ley, el fabricante de ninguna manera será responsable de cualquier daño especial, indirecto o consecuente, ni por otros daños de cualquier naturaleza, por encima del precio original de compra de este producto. Todas las garantías del fabricante se especifican en este documento y no se puede realizar ninguna demanda contra el fabricante por cualquier garantía o representación. Algunos estados no permiten la exclusión o limitación de daños incidentales o consecuentes, o limitaciones de garantías implícitas, así que las limitaciones o exclusiones especificadas en esta garantía limitada podrían no aplicar para usted. Esta garantía limitada le da derechos jurídicos específicos y usted podría tener otros derechos, los cuales varían de estado a estado.

PEDIDO DE PIEZAS DE REPUESTO

Para realizar pedidos de piezas de repuesto, póngase en contacto con su distribuidor local de Pit Boss® o visite: www.pitboss-grills.com

PÓNGASE EN CONTACTO CON ATENCIÓN AL CLIENTE

Si tiene cualquier duda o problema, póngase en contacto con la Atención al cliente,: **EE.UU: (480) 923-9630 | Canada (gratuita): 1-877-942-2246**

SERVICIO DE GARANTÍA

Póngase en contacto con su distribuidor de Pit Boss® más cercano para reparaciones o piezas de repuesto. Dansons exige una prueba de compra para establecer la reclamación de garantía; por lo tanto, conserve su resguardo o factura de ventas original para referencia futura. Encontrará el número de serie y modelo de la Pit Boss® en la parte posterior. Tome nota de los números que se indican a continuación ya que la etiqueta puede desgastarse o volverse ilegible.

MODELO

NÚMERO DE SERIE

FECHA DE COMPRA

DISTRIBUIDOR AUTORIZADO

IMPORTANT

DO NOT RETURN PRODUCT TO STORE

For all questions, comments, or inquiries, please contact Dansons directly.

USA: (480) 923-9630

CANADA (TOLL FREE): 1-877-942-2246

IMPORTANT

NE RETOURNEZ PAS LE PRODUIT AU MAGASIN

Pour toute questions, commentaires ou demandes de renseignements, veuillez communiquer avec Dansons directement.

ÉTATS-UNIS : (480) 923-9630

CANADA (SANS FRAIS) : 1-877-942-2246


¡IMPORTANTE!


NO DEVUELVA EL PRODUCTO A LA TIENDA


Para el preguntas, comentarios o consultas, por favor contactar Dansons directamente.

EE.UU : (480) 923-9630

CANADA (GRATUITA) : 1-877-942-2246

 **WARNING:** COMBUSTION OF PROPANE GAS CAN EXPOSE YOU TO CHEMICALS INCLUDING FORMALDEHYDE, WHICH IS KNOWN TO THE STATE OF CALIFORNIA TO CAUSE CANCER, AND CARBON MONOXIDE, WHICH IS KNOWN TO THE STATE OF CALIFORNIA TO CAUSE BIRTH DEFECTS OR OTHER REPRODUCTIVE HARM. FOR MORE INFORMATION GO TO WWW.P65WARNINGS.CA.GOV

 **AVERTISSEMENT :** LA COMBUSTION DU GAZ PROPANE PEUT VOUS EXPOSER À DES PRODUITS CHIMIQUES INCLUANT LE FORMALDÉHYDE, CONNU PAR L'ÉTAT DE CALIFORNIE POUR CAUSER LE CANCER, ET LE MONOXYDE DE CARBONE, CONNU PAR L'ÉTAT DE LA CALIFORNIE COMME CAUSANT DES ANOMALIES CONGÉNITALES OU AUTRES EFFETS NOCIFS SUR LA REPRODUCTION. POUR ACCÉDER À D'AUTRES INFORMATIONS, RENDEZ-VOUS À WWW.P65WARNINGS.CA.GOV

 **ADVERTENCIA:** LA COMBUSTIÓN DEL GAS PROPANO PUEDE EXPONERLO A SUSTANCIAS QUÍMICAS, INCLUYENDO EL FORMALDEHÍDO, QUE EL ESTADO DE CALIFORNIA SABE QUE PROVOCAN CÁNCER, Y AL MONÓXIDO DE CARBONO, QUE EL ESTADO DE CALIFORNIA SABE QUE CAUSA DEFECTOS CONGÉNITOS Y OTROS DAÑOS REPRODUCTIVOS. PARA OBTENER MÁS INFORMACIÓN, VISITE WWW.P65WARNINGS.CA.GOV

PITBOSS-GRILLS.COM

MADE IN CHINA | FABRIQUÉ EN CHINE | HECHO EN CHINA



780210616UMV