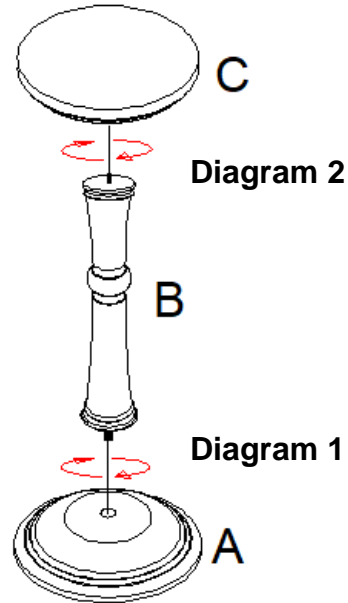
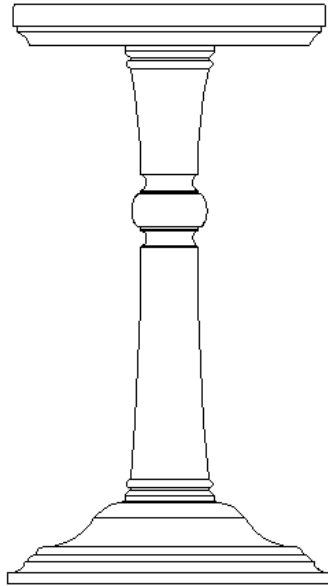


# ASSEMBLY INSTRUCTION

ITEM# 6960-80117-87 Rabbs Prairie Martini Table

\*\* Please make sure you have all parts indicated below prior to assembly.



## Assembly Steps:

1. Place all components on a soft surface to prevent them from being scratched.
2. Attach post (B) to base panel (A) by turning with clockwise direction. (See Diagram 1)
3. Attach top panel (C) to whole base by turning with clockwise direction. (See Diagram 2)

*Cleaning Instruction: Clean finished parts with a damp cloth using a mild dishwashing liquid and water solution. Polish the finish with soft cloth and an industry recognized furniture polish.*