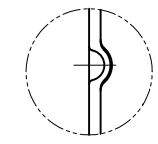
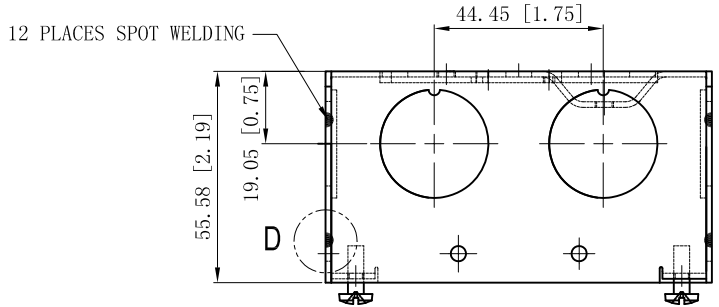
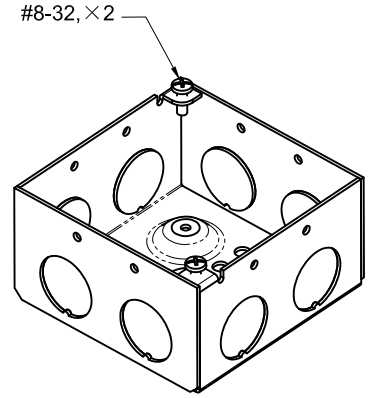
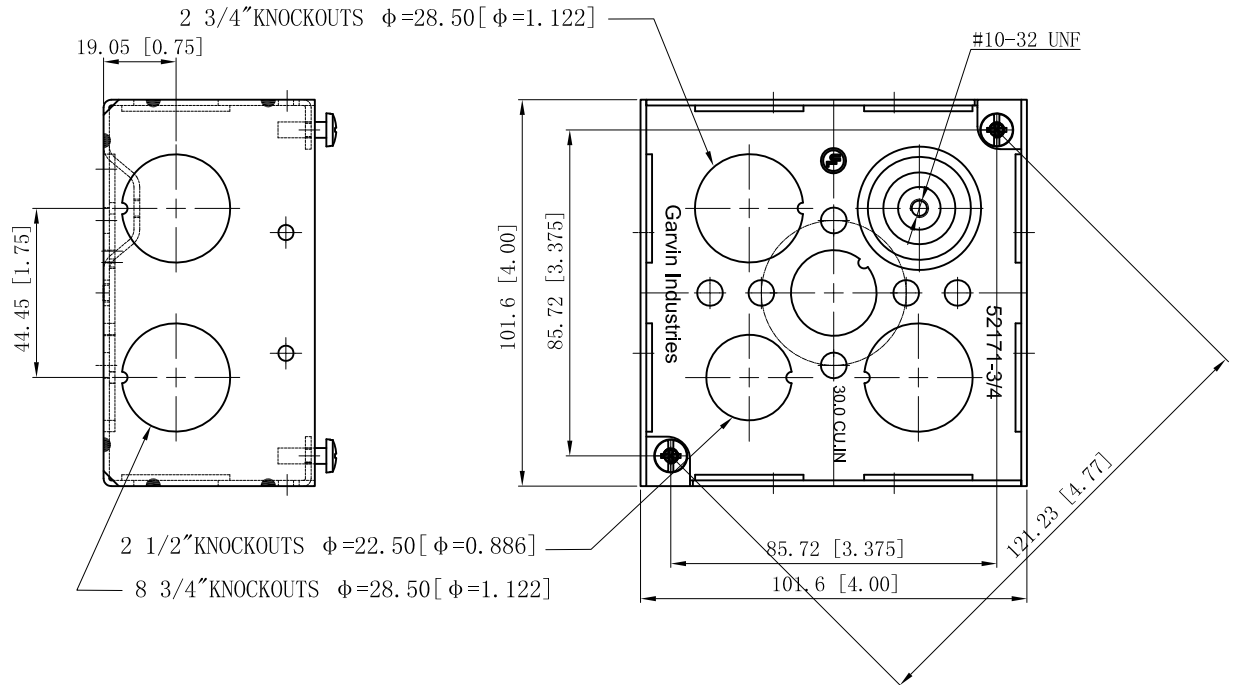


SIDES	BOTTOM
8 3/4" KNOCKOUTS	2 1/2" KNOCKOUTS
	2 3/4" KNOCKOUTS
	1 Ground Hump
2 PCS #8-32×1/2 Screws Installed	
1 PCS #10-32×3/8 Screws Installed	
Material:Steel-0.0625"-G60 Galvanized, red powder coating	



WELDING STYLE DETAIL VIEW D



DESCRIPTION
TRADE REFERENCE TERMS

This data sheet is for reference only. GARVIN INDUSTRIES reserves the right to make changes to the design without prior notice.

STANDARD PACKING	TITLE		
	GARVIN INDUSTRIES		
25 PCS	4" SQUARE BOXES 2-1/8" DEEP		
	SIZE	DWG NO.	REV
A4	52171-3/4RED	A	
DATA SHEET			