

Job Name _____

Contractor _____

Job Location _____

Approval _____

Engineer _____

Contractor's P.O. No. _____

Approval _____

Representative _____

Series 1000DCV

Single Detector Check Valves

Sizes: 1½" – 2"

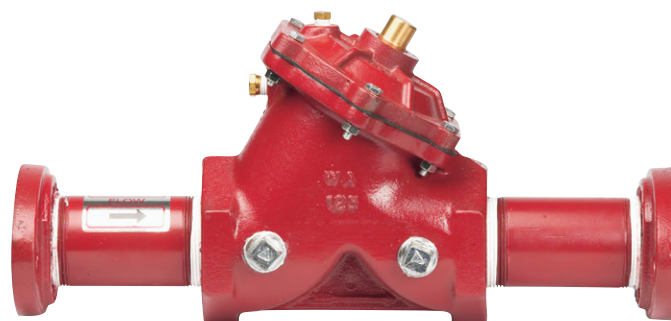
Series 1000DCV Single Detector Check Valves detect any leakage or unauthorized use of water from fire or automatic sprinkler systems. Series 1000DCV are designed to protect drinking water supplies from dangerous cross-connections in accordance with national plumbing codes and water authority requirements for non-health hazard non-potable service applications such as irrigation, fire line, or industrial processing.

Features

- Horizontal or vertical installation
- Replaceable bronze seats
- Cast iron body and cover
- Valve is shipped fully assembled with optional bypass line including shutoff valve, meter and single check valve
- Low head loss

Specifications

A Detector Check Valve shall be installed where indicated on the plans to detect any leakage or unauthorized use of water from fire or automatic sprinkler lines. The valve shall also prevent the reverse flow of non-potable water from entering the public mainline. Valve shall have a cast iron body and cover and replaceable bronze seats. Valve shall be an Ames Fire & Waterworks Series 1000DCV.



2" 1000DCV (Flanged)

Available Models

- FLG – Flanged end connections
- THD – Threaded end connections
- CFM – cubic feet per minute meter
- GPM – gallons per minute meter

Materials

Body: Cast iron

Cover: Cast iron

Seats: Replaceable bronze

Pressure – Temperature

Maximum Working Pressure: 175 psi (12 bar)

Temperature Range: 33°F – 110°F (0.5°C – 43°C)

Hydrostatic Test Range: 350 psi (24 bar)

NOTICE

The information contained herein is not intended to replace the full product installation and safety information available or the experience of a trained product installer. You are required to thoroughly read all installation instructions and product safety information before beginning the installation of this product.

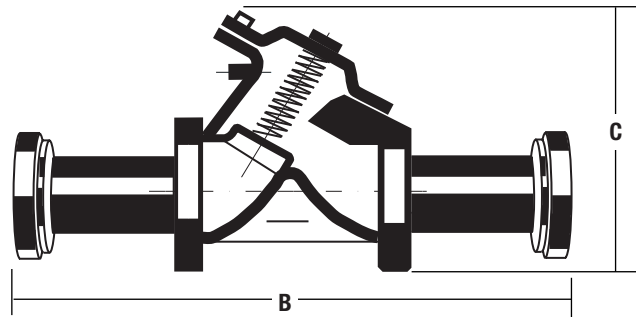
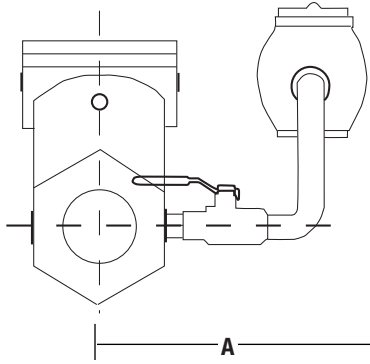
⚠ WARNING

It is illegal to use this product in any plumbing system providing water for human consumption, such as drinking or dishwashing, in the United States. Before installing standard material product, consult your local water authority, building and plumbing codes.

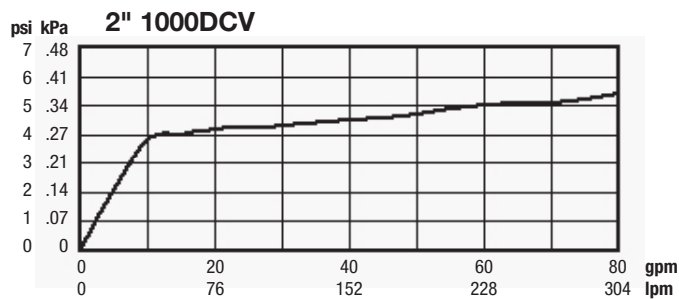
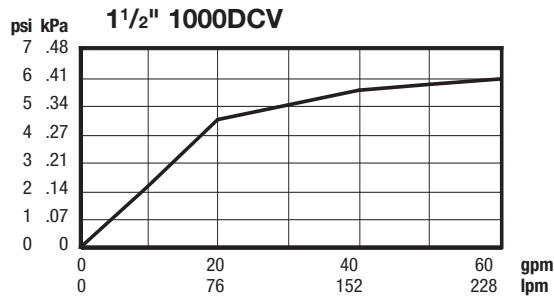
Ames Fire & Waterworks product specifications in U.S. customary units and metric are approximate and are provided for reference only. For precise measurements, please contact Ames Fire & Waterworks Technical Service. Ames Fire & Waterworks reserves the right to change or modify product design, construction, specifications, or materials without prior notice and without incurring any obligation to make such changes and modifications on Ames Fire & Waterworks products previously or subsequently sold.



Dimensions – Weights



SIZE	DIMENSIONS						WITH BYPASS		LESS BYPASS			
	A		B (threaded)		B (flanged)		C		Weight			
<i>in.</i>	<i>in.</i>	<i>mm</i>	<i>in.</i>	<i>mm</i>	<i>in.</i>	<i>mm</i>	<i>in.</i>	<i>mm</i>	<i>lbs.</i>	<i>kg</i>	<i>lbs.</i>	<i>kg</i>
1½	10	254	17	432	17	432	7 1/2	191	43	19.5	30	13.6
2	10	254	17	432	17	432	7 1/2	191	43	19.5	30	13.6



NOTICE

Inquire with governing authorities for local installation requirements



A WATTS Brand

USA: Backflow Tel: (978) 689-6066 • Fax: (978) 975-8350 • AmesFireWater.com
USA: Control Valves Tel: (713) 943-0688 • Fax: (713) 944-9445 • AmesFireWater.com
Canada: Tel: (905) 332-4090 • Fax: (905) 332-7068 • AmesFireWater.ca
Latin America: Tel: (52) 81-1001-8600 • AmesFireWater.com