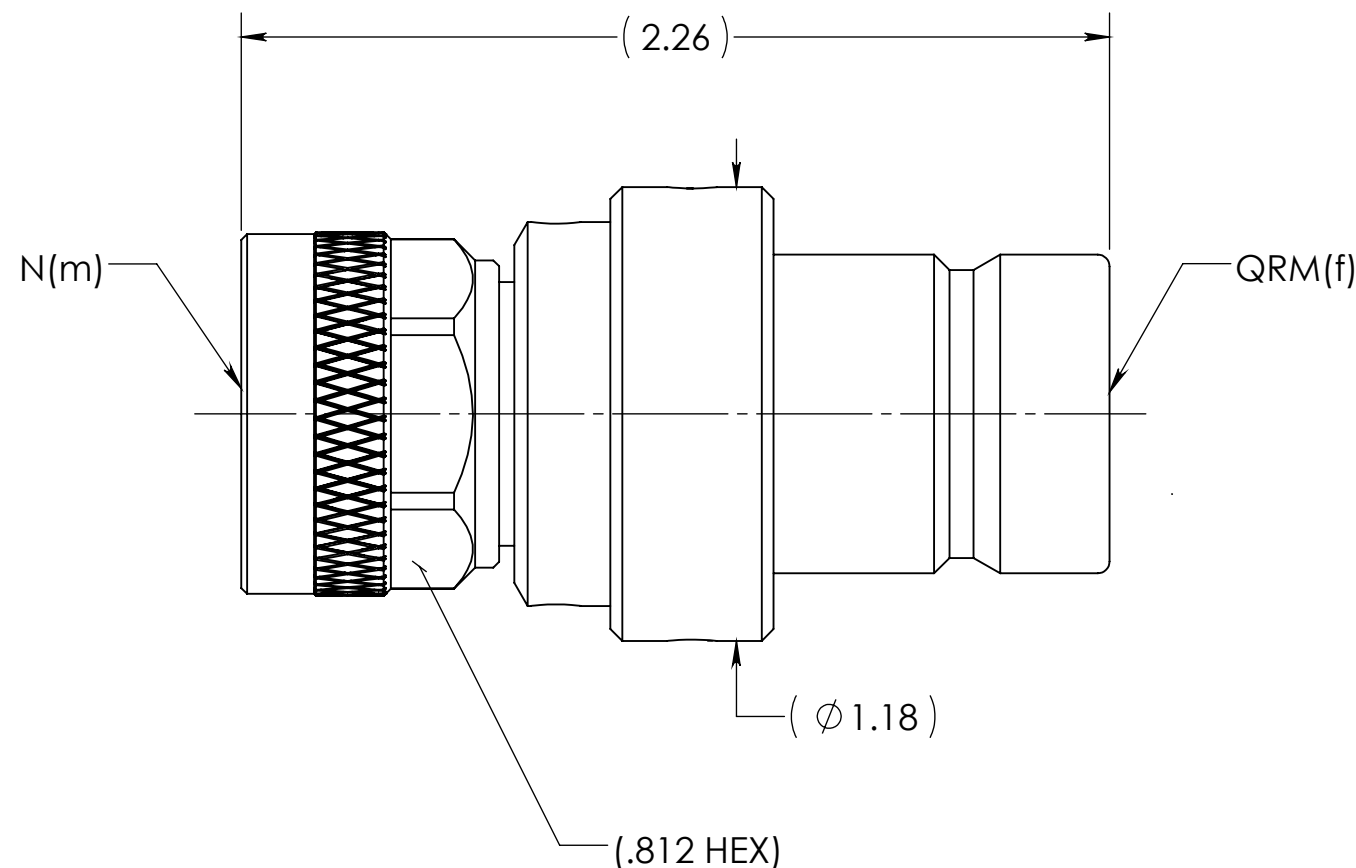
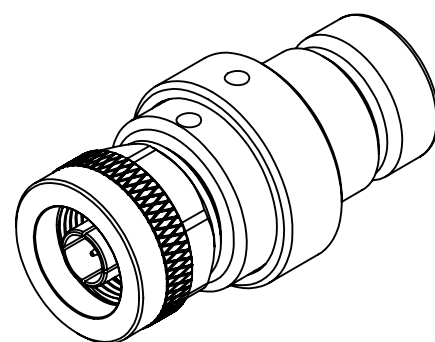


This document, including the design, configuration and mechanical features revealed herein are the sole, confidential and proprietary property of TRU Corporation. Reproduction or use thereof, in whole or part, is prohibited without the prior written consent of TRU Corporation.

REV.	DESCRIPTION	DATE	APPROVED
-	ORIGINAL ISSUE	03/28/13	TRC
A	CHANGE PER ECO 4430	11/27/13	AM



**ENGINEERING DATA:**

**ELECTRICAL:**

IMPEDANCE: 50 OHMS NOMINAL

**MECHANICAL:**

INTERFACE: N(m) PER MIL-STD-348 FIG. 304.1  
QRM(f) PER TRU SPECIFICATION

**MATERIAL:**


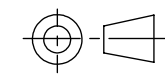
INSULATORS: PTFE (Teflon)  
CONTACTS: BRASS & BERYLLIUM COPPER  
BODY & NUT: BRASS

**FINISH:**

CONTACTS: GOLD PLATED  
BODY & NUT: NICKEL PLATED

**NOTES:**

- UNLESS OTHERWISE SPECIFIED, ALL DIMENSIONS ARE REFERENCE ONLY.

MATERIAL	DO NOT SCALE DRAWING	DRAWN TRC	DATE 03/21/13	 <b>TRU Corporation</b> 245 Lynnfield St, Peabody, MA 01960 <small>EXPERIENCE. TRU INNOVATION.</small>
	UNLESS OTHERWISE SPECIFIED: DIMENSIONS ARE IN INCHES  TOLERANCES: FRACTIONS: ±1/64 .XX : ±.01 .XXX: ±.005 ANGLES: ±1/2° MACHINED SURFACES: 63/√	ENG APPR. TRC	DATE 03/28/13	
COMMENTS:		THIRD ANGLE PROJECTION 	MFG APPR.	DATE
	OTHER APPR. AM		DATE 03/27/13	DWG. NO. TRU-12281
surface area: sq inch	weight: lbs	CAGE CODE: 92180		SCALE: 4:1
		SHEET 1 OF 1		REV <b>A</b>