

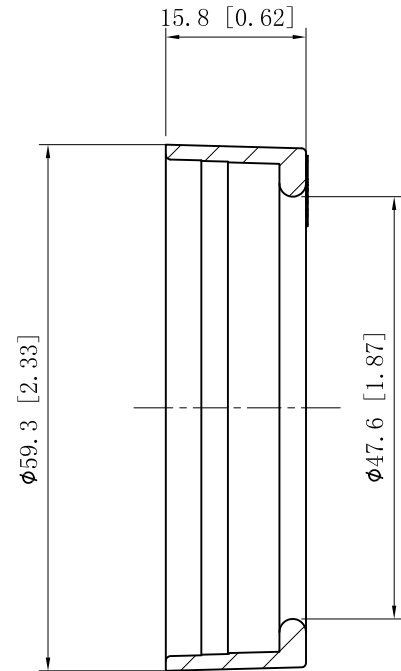
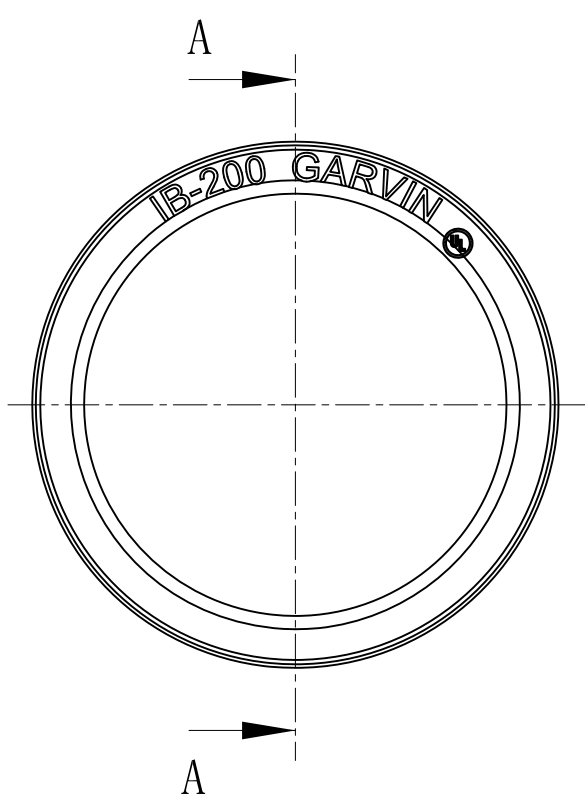
SIDES

BOTTOM

UL File #

E364151

Material:Plastic-PP



VIEW A-A

This data sheet is for reference only .GARVIN INDUSTRIES reserves the right to make changes to the design without prior notice.

DESCRIPTION
TRADE REFERENCE TERMS

STANDARD PACKING
25/250 PCS

GARVIN INDUSTRIES		
TITLE EMT INSULATING BUSHING		
SIZE A4	DWG NO. IB-200	REV A
DATA SHEET		
www.garvinindustries.com		