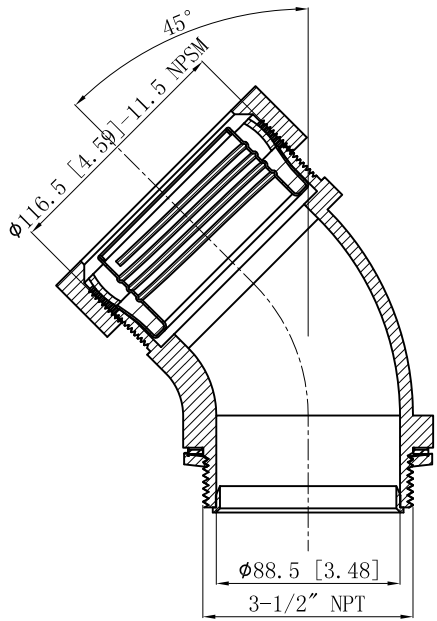
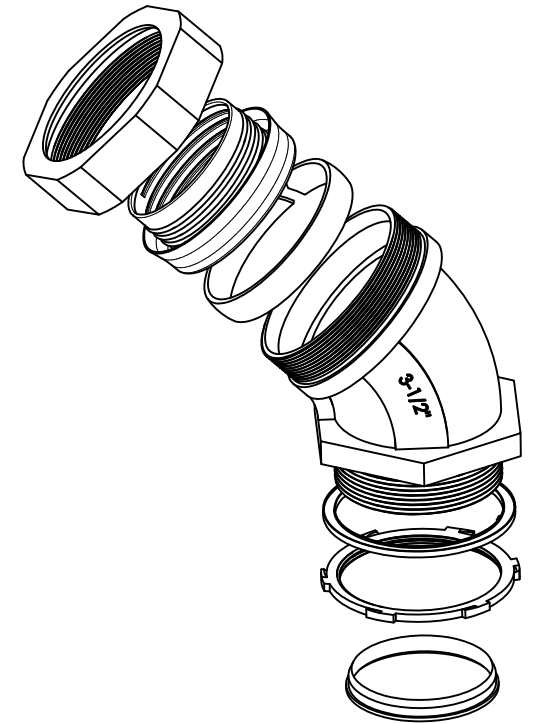
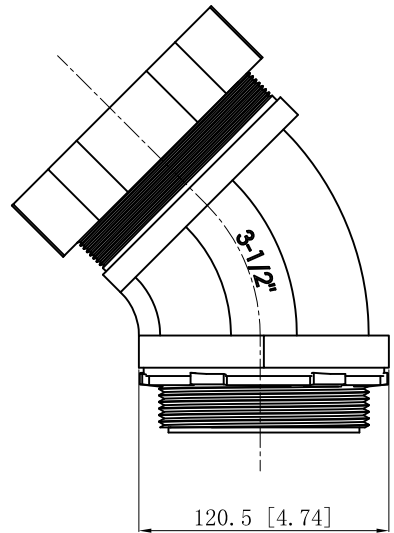
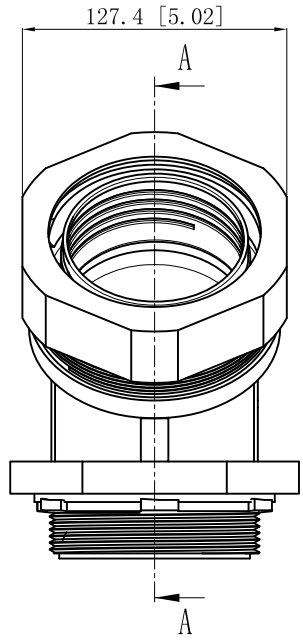


|  |        |
|--|--------|
| SIDES                                    | BOTTOM |
|  |        |
|  |        |
|  |        |
|  |        |
| Material: Steel-(C1008-C1018) Galvanized |        |



CUTAWAY VIEW A-A



|                       |
|-----------------------|
| DESCRIPTION           |
|                       |
|                       |
|                       |
| TRADE REFERENCE TERMS |
|                       |

|                  |
|------------------|
| STANDARD PACKING |
| 5 PCS            |

This data sheet is for reference only .GARVIN INDUSTRIES reserves the right to make changes to the design without prior notice.

|                                    |                      |     |
|------------------------------------|----------------------|-----|
| <b>GARVIN INDUSTRIES</b>           |                      |     |
| <b>45° LIQUID-TIGHT CONNECTORS</b> |                      |     |
| SIZE<br>A4                         | DWG NO.<br>LTC-35045 | REV |
| DATA SHEET                         |                      |     |