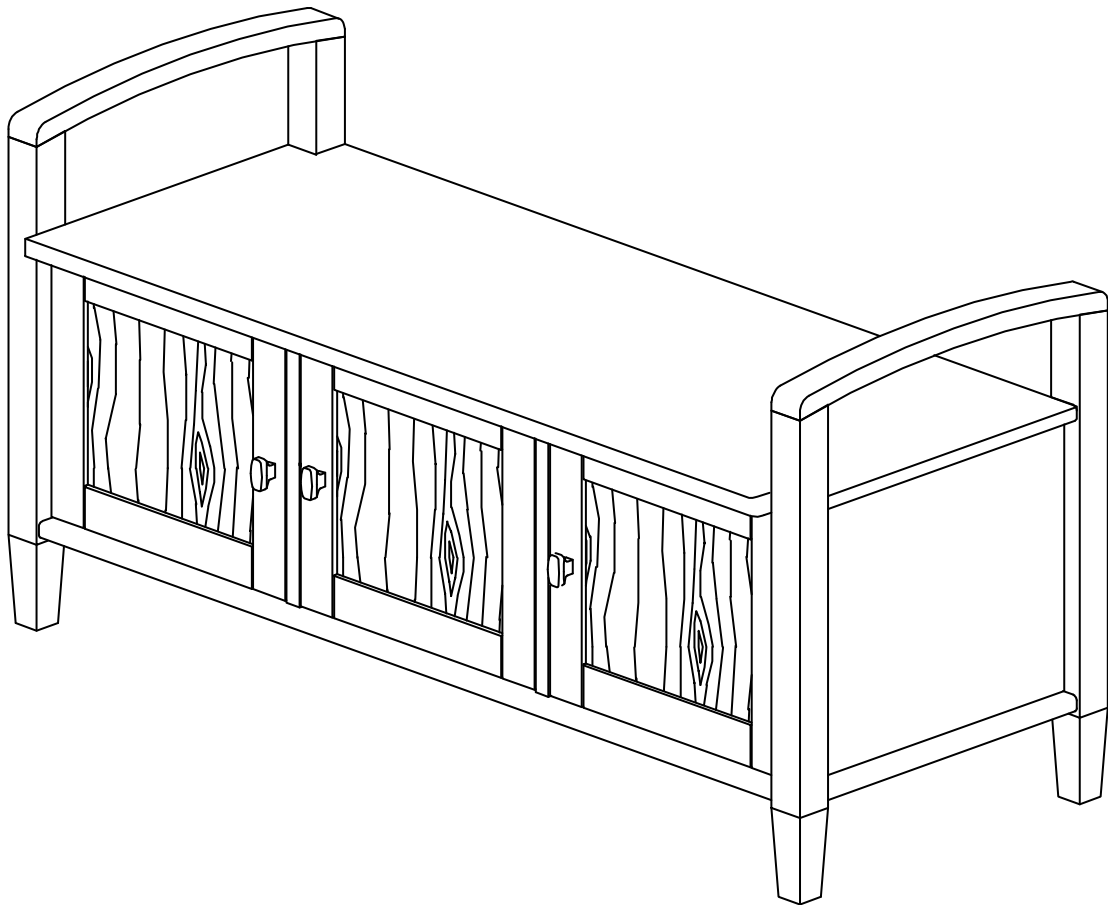


SIMPLIHOME®

Warm Shaker / Norfolk / Lexington

Entryway Storage Bench

Model # AXWSH006-GR



brooklyn + max™

WyndenHall™
HOME DECOR

SIMPLIHOME®

Great quality is a right.

Thank you for shopping with Simpli Home,
America's top brand for high-value furniture.

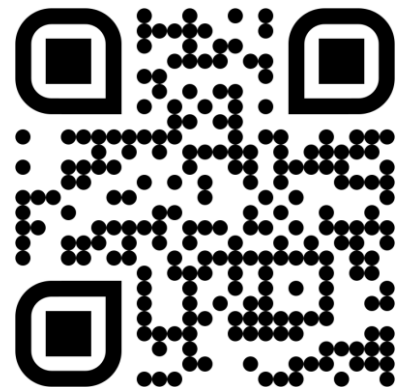


It's time to register your product warranty.

It's quick and easy. And you'll be happy you did.



- ✓ Activate your **1-year** warranty
- ✓ Automatic entry to win a **\$500** gift certificate
- ✓ Earn instant rewards and **save**

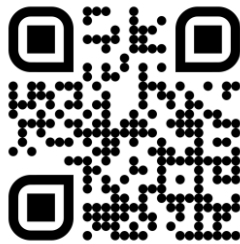


simpli-home.com/product-registration

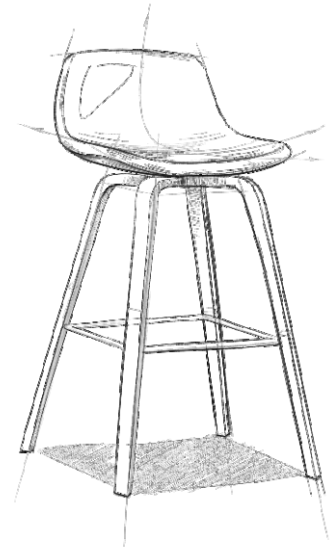
SIMPLIHOME®

Review your product and collect rewards!

Thank you for your purchase! We hope you enjoy it. We'd love your feedback. Please share a review and get instant rewards!



simpli-home.com/product-review



Share photos and get your cash back!



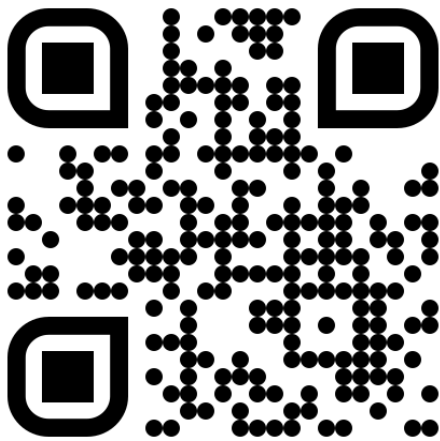
Send us images or share them on social and qualify for instant rewards. You may even receive store credit on your entire purchase!



simpli-home.com/share-images

SIMPLIHOME®

For Fastest Customer Service:



1. Open your phone's camera.
2. Point your phone's camera at the QR code to scan.
3. Click on the pop up.
4. You'll be taken to our customer service page.
5. Fill the form with your order information and issue.
6. Submit form.
7. A customer service associate will contact you.

Other ways to contact us...



Email Us

customerservice@simpli-home.com



Visit Us

Visit our site directly at
www.simpli-home.com



Call Us

1-866-518-0120
Monday to Friday
9am to 5pm EST

***If you've purchased from a retailer and you wish to return the product, please contact the retailer directly.**

IMPORTANT: Please read this manual carefully before beginning assembly of this product. Keep this manual for future reference.

Safety Information

Identify all the parts and hardware. Do not discard of the packaging until you have checked that you have all the parts and hardware required. Hardware package may have spare parts.

WARNING: This item contains small parts which can be swallowed by children and pets. Keep children and pets away during assembly. To avoid danger of suffocation, always keep plastic bags away from children and pets.

We recommend that you assemble this unit on a carpeted floor to avoid scratches. If using power tools, set the tool to low torque to avoid damage.

May require 2 people for ease of assembly.

Care & Maintenance

This furniture is designed for indoor use.

Perhaps the greatest environmental damage to wood furniture comes from wide swings in relative humidity (RH) in our homes. Wood absorbs and desorbs water as relative humidity rises and falls, and in doing so it swells and shrinks. Making matters worse, it expands and contracts unequally along different grain directions. As humidity changes, the components of wooden objects are continually pushing and pulling against each other. This pressure often results in parts of furniture no longer fitting together closely or becoming distorted or breaking from their own internal stresses.

The response to relative humidity changes begins with determining the annual average RH for your particular space. Then try to keep the RH in the space where your furniture is as close to that average as possible, generally within about 10% up or down. De-humidify in the summer and humidify in the winter.

Be aware that raising the temperature lowers the humidity and vice versa. Thus, modern heating systems, which can drive down interior RH in the winter, almost invariably cause problems for furniture. To counteract their effect, you can either modify the RH by keeping furniture containing spaces cooler in the winter or most importantly, have a good working humidifier for your home. A humidistat automatically works to balance the humidity in your home so it is constant. Dry indoor air can suck enough moisture from its surroundings to do permanent damage to wood, causing it to crack or split.

Remember, that not all woods are created equal. Two factors that help determine how rapidly a wood will lose moisture are pore size and surface hardness. A piece made from a dense and hard wood will dry less rapidly than pieces made from softer woods.

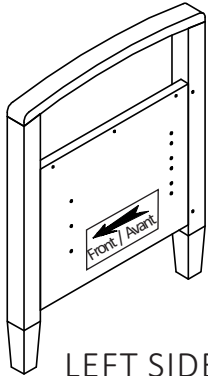
Furniture that is sealed and lacquered will lose moisture more slowly than an unfinished piece while pieces with veneer finishes are not only stronger but lose moisture more slowly than other finishes.

To help protect your wood furniture, take these steps:

- Use a humidifier, preferably one with an automatic control system that can sense the humidity level and adjust itself accordingly
- Don't over-humidify; that can damage wood by causing it to expand and contract
- Keep furniture out of direct sunlight, which can cause it to dry out, crack and warp
- If you can avoid it, don't put furniture near heating vents; if you can't, keep the item 3 to 4 inches away from the wall, giving the heat and air space to circulate
- Dust with soft dry cloth
- Do not use liquid or aerosol products
- To avoid marking, do not place rubber on surface (foot pads, etc.)
- For soil build-up, wipe with damp cloth & dry
- Do not use abrasive cleaners

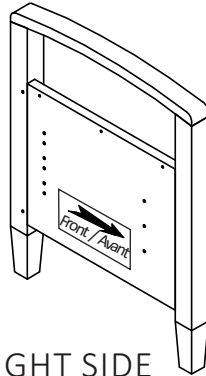
Part Description

AL



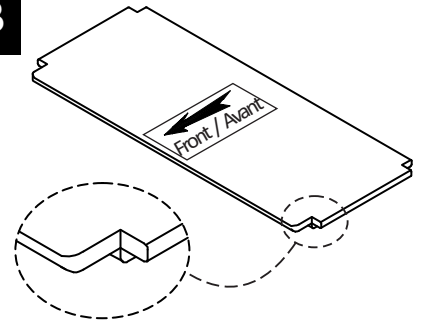
LEFT SIDE
QTY 1

AR



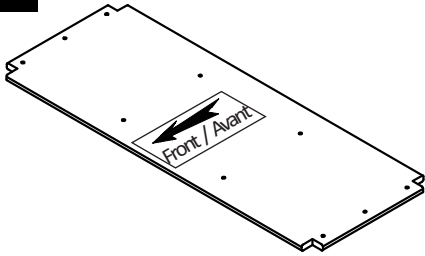
RIGHT SIDE
QTY 1

B



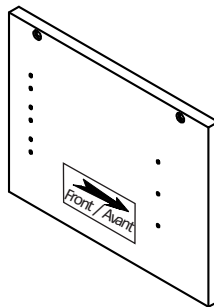
SEAT
QTY 1

C



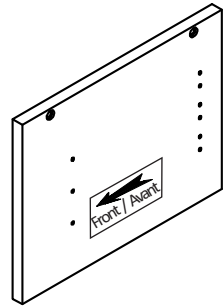
BOTTOM SHELF
QTY 1

DL



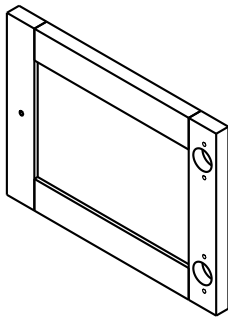
LEFT DIVIDER
QTY 1

DR



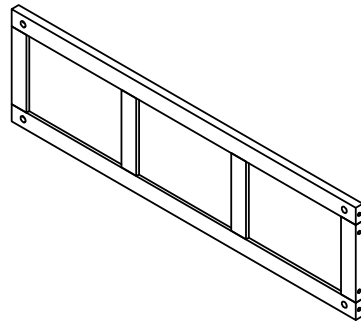
RIGHT DIVIDER
QTY 1

E



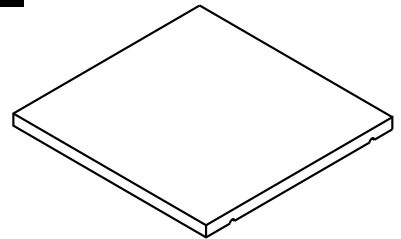
DOOR (L&R Same)
QTY 3

F



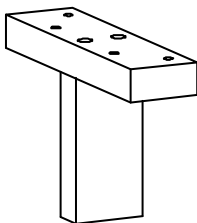
BACK
QTY 1

G



CABINET SHELF
QTY 3

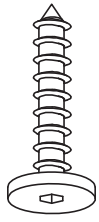
H



BOTTOM SUPPORT LEG
QTY 1

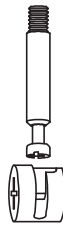
Hardware Description

1



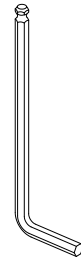
ALLEN KEY SCREW
M6 X 30 mm
QTY 20

2



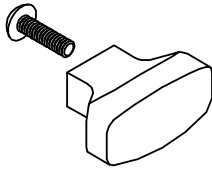
CAM LOCK PIN
CAM LOCK
QTY 4 SETS

3



ALLEN KEY
QTY 1

4



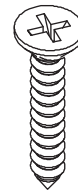
HANDLE
M4 X 25 mm
QTY 3 SETS

5



WOOD DOWEL
Ø8 X 30 mm
QTY 8

6



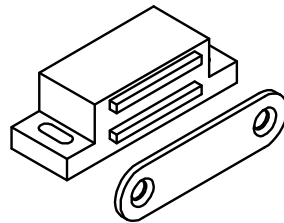
PHILLIPS SCREW
M3 X 15 mm
QTY 12

7



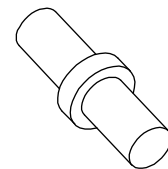
PHILLIPS SCREW
M4 X 15 mm
QTY 36

8



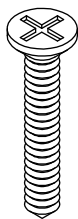
MAGNET AND PLATE
QTY 3 SETS

9



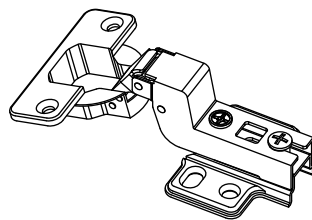
SHELF SUPPORT
QTY 18

10

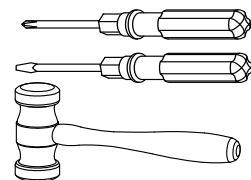


PHILLIPS SCREW
M4 X 30 mm
QTY 4

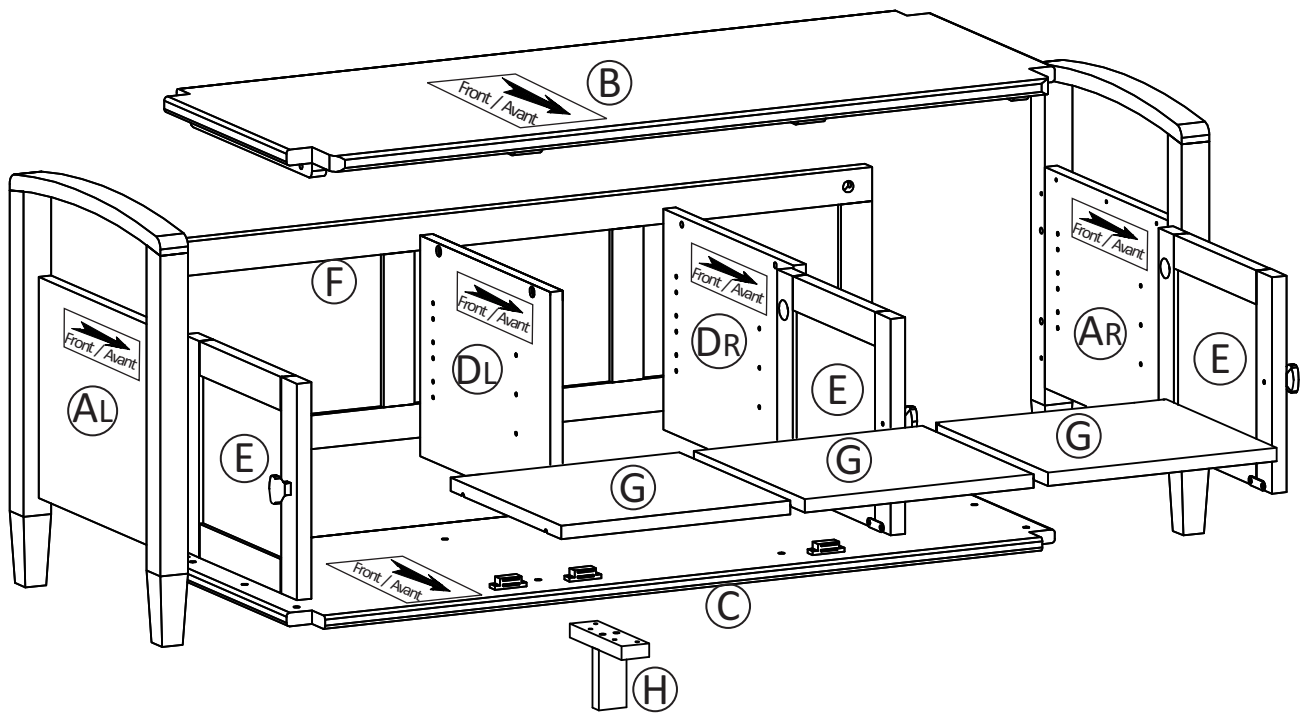
11



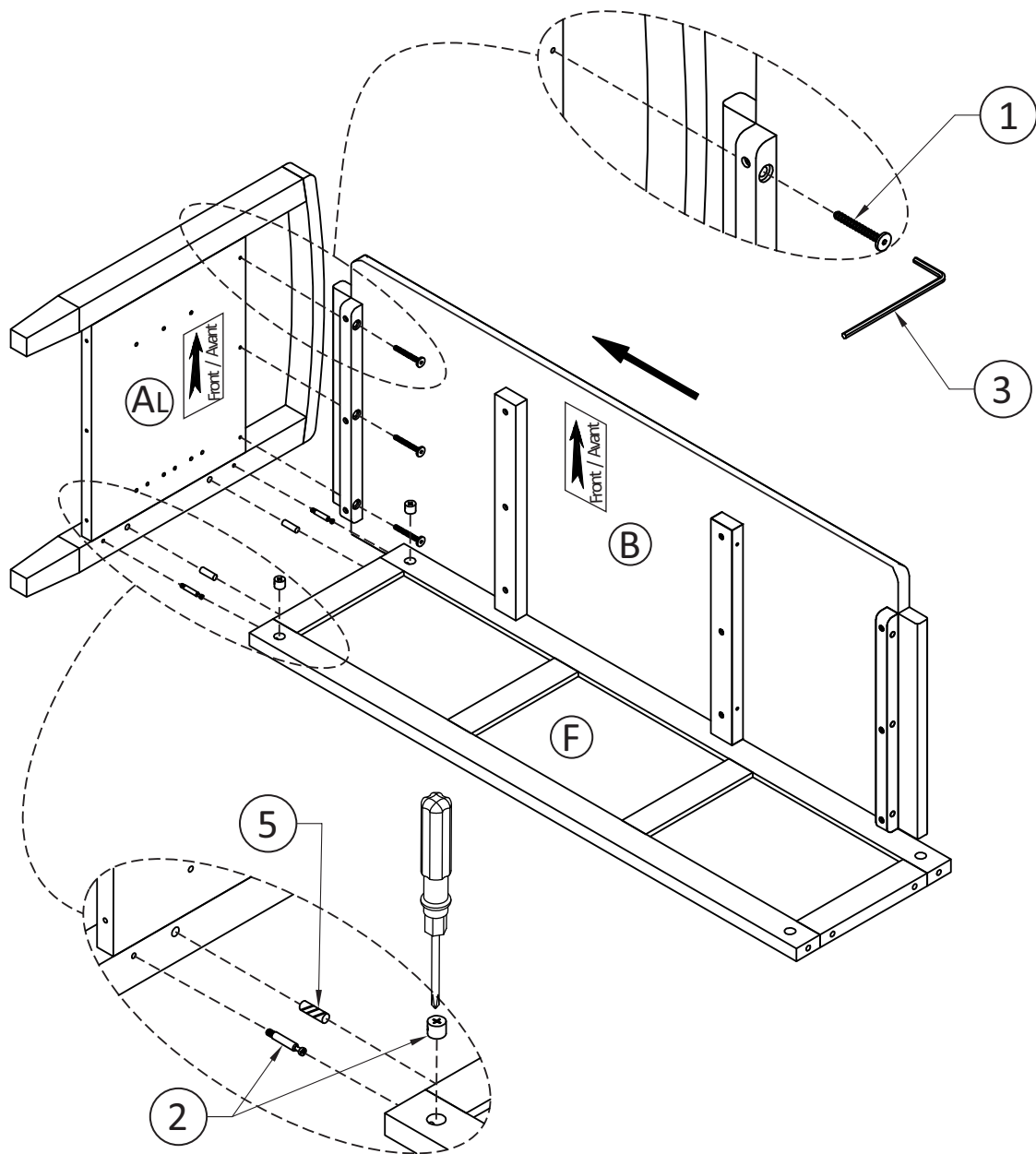
ADJUSTABLE HINGE
QTY 6 SETS



Required-
Flathead screwdriver
Phillips screwdriver
Rubber mallet
Not Included

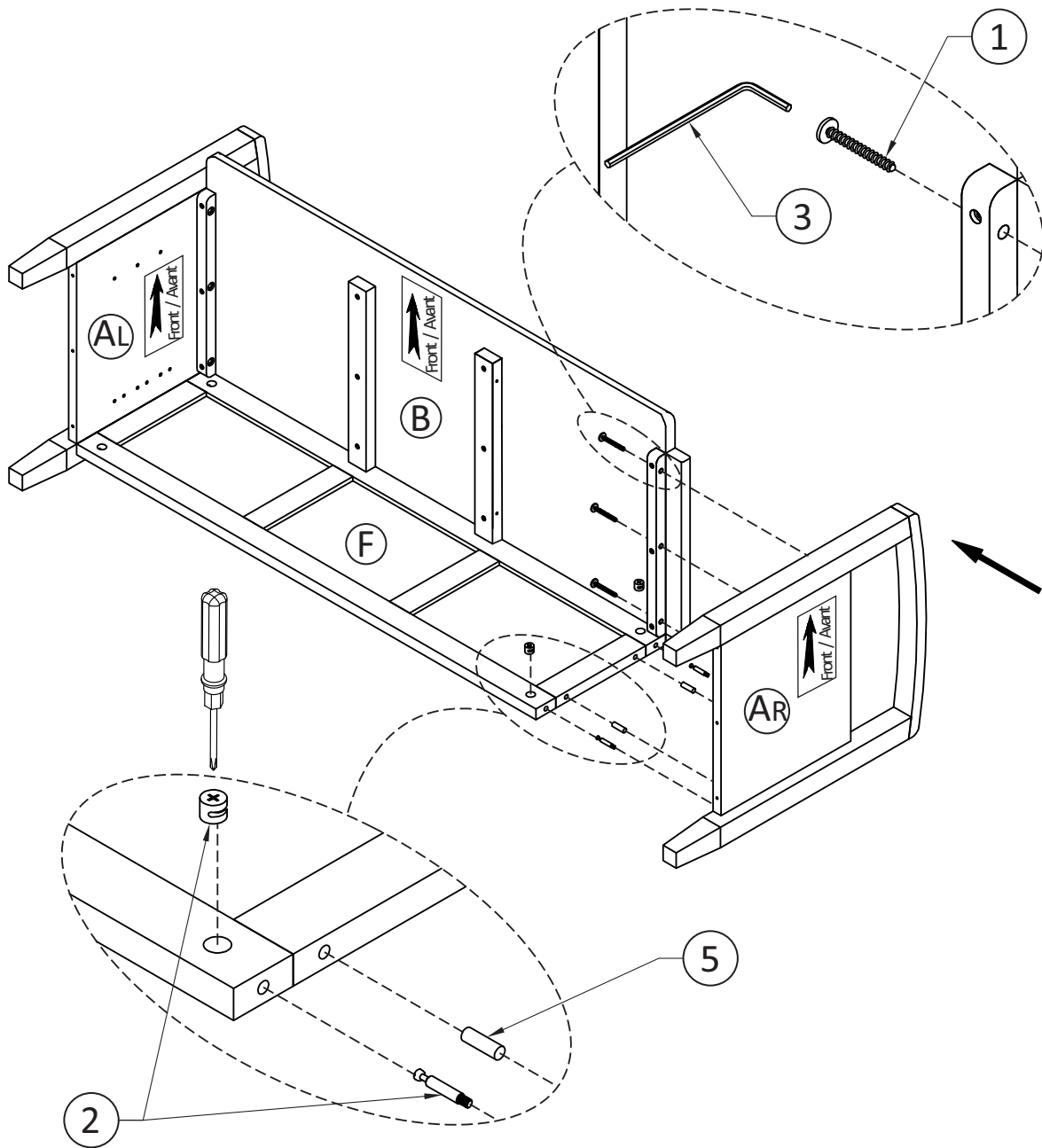


Step 1



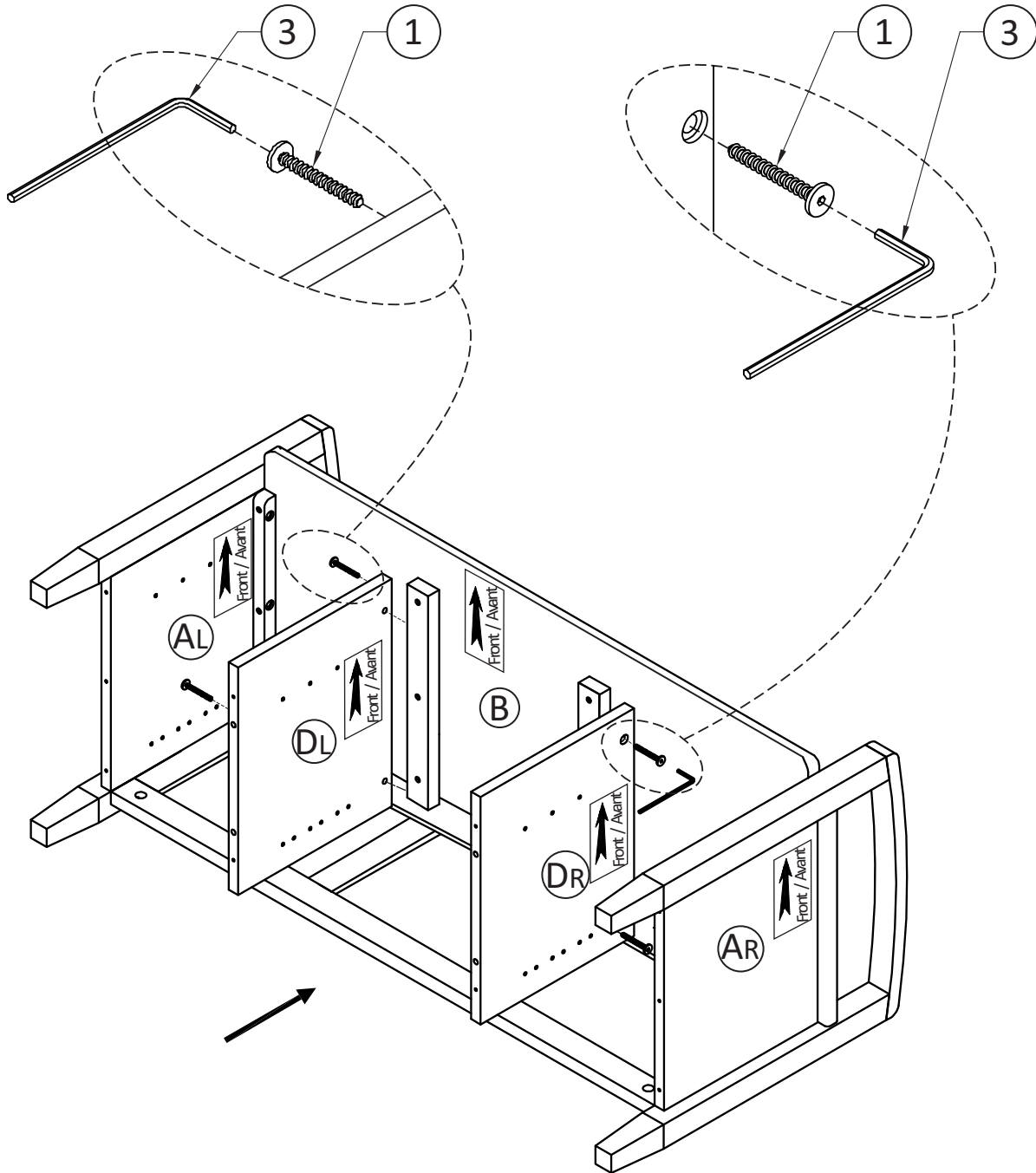
1. Insert four Dowels (5) into guide holes in the Back (F).
2. Use rubber mallet to tap Dowels (5) into bottom of holes securely. 1/2 length of Dowels should be exposed.
3. Attach Seat (B) to Left Side (AL) using Allen Key Screws (1) through guide holes on Back (F).
4. Attach two Cam Lock Pins (2) to Left Side (AL) using pre-drilled holes.
5. Align and insert Cam Lock Pins on Left Side (AL) into guide holes on Back (F).
6. Insert two Cam Locks (2) into guide holes on Back (F).
7. Use a flathead screwdriver to tighten Cam Locks into Pins.

Step 2



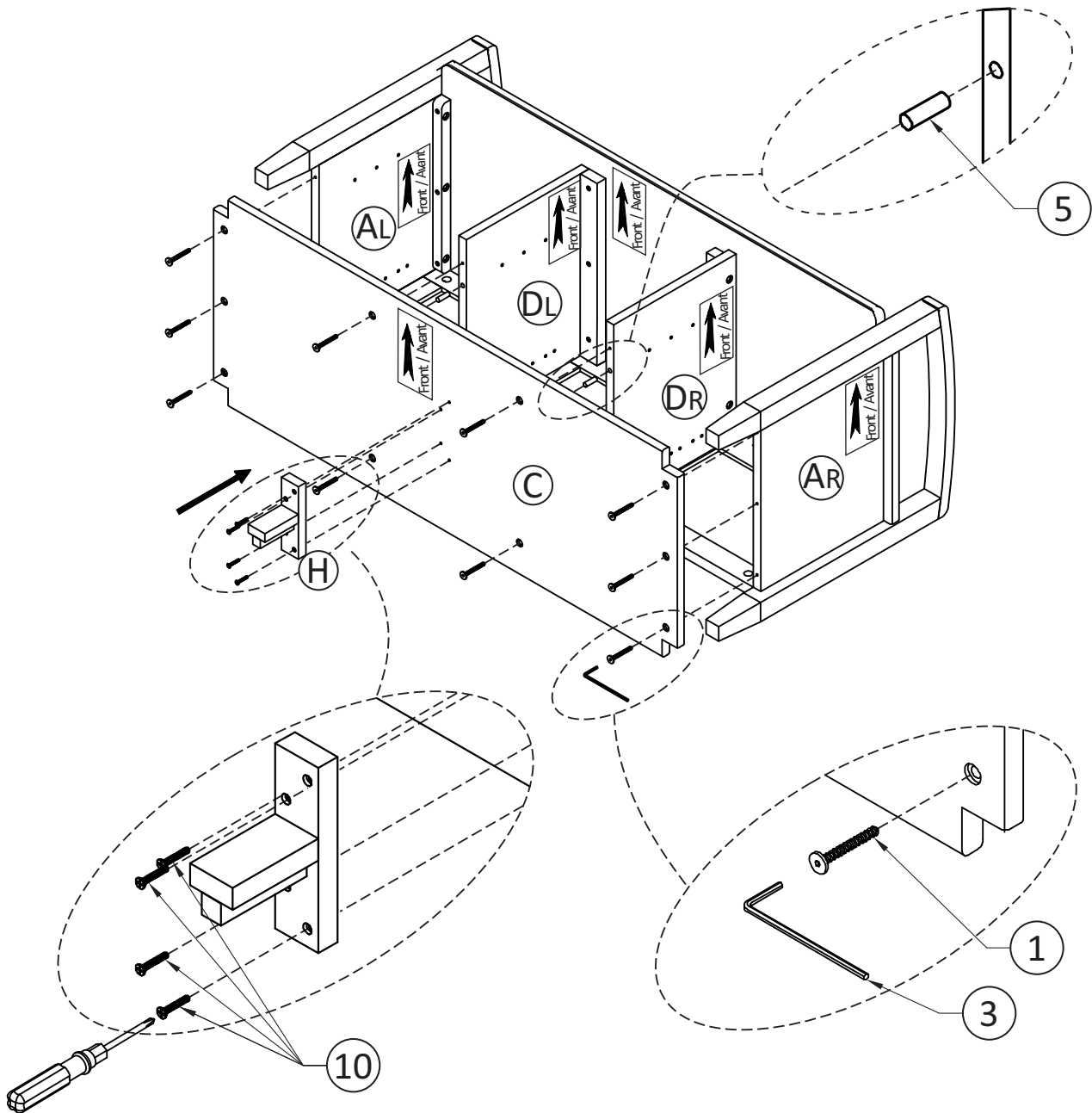
1. To attach Right Side (AR) to Seat (B) and Back (F), repeat steps 1.

Step 3



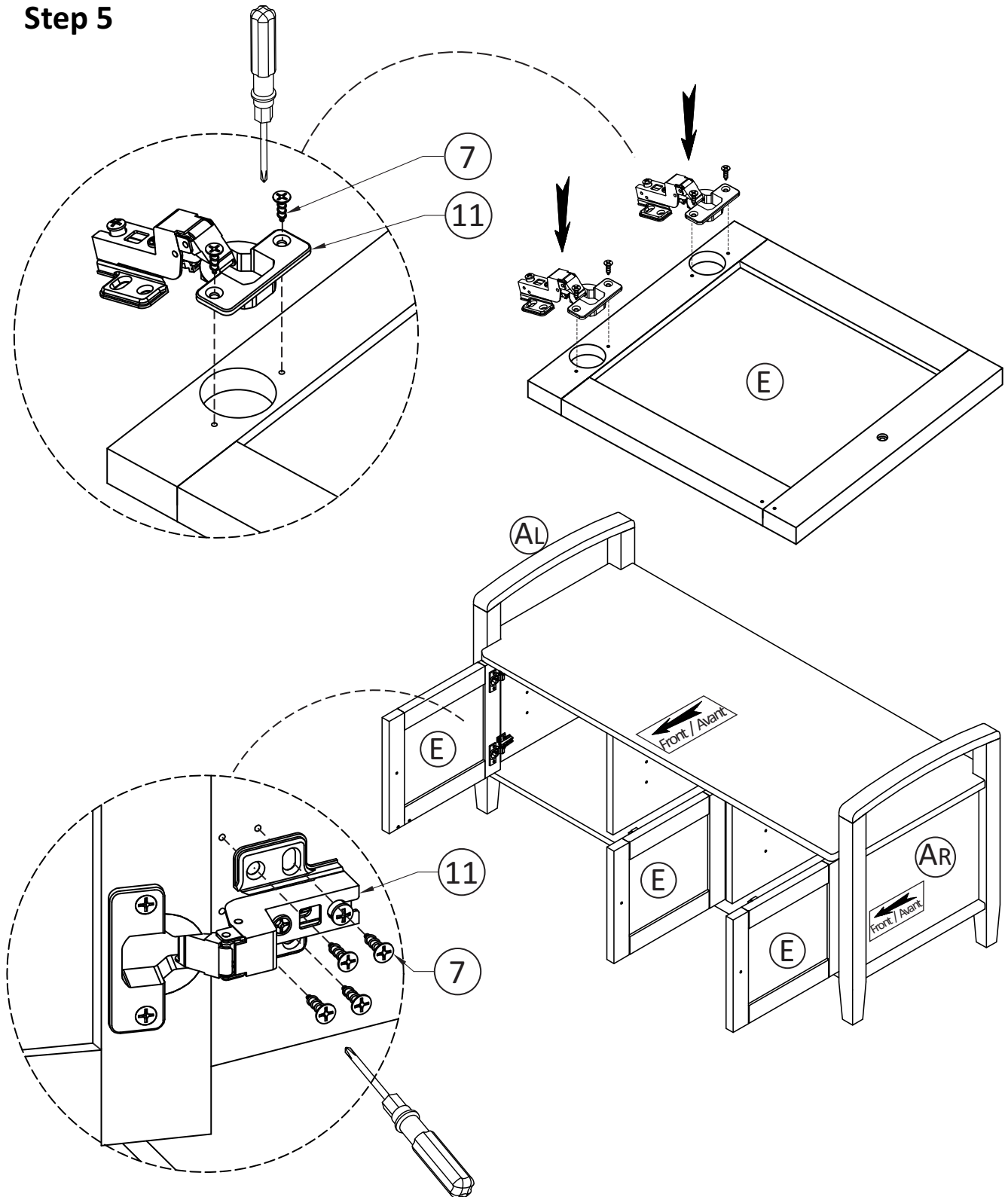
1. Attach Dividers (DL, DR) to Seat (B) using Allen Key Screws (1) through guide holes.

Step 4



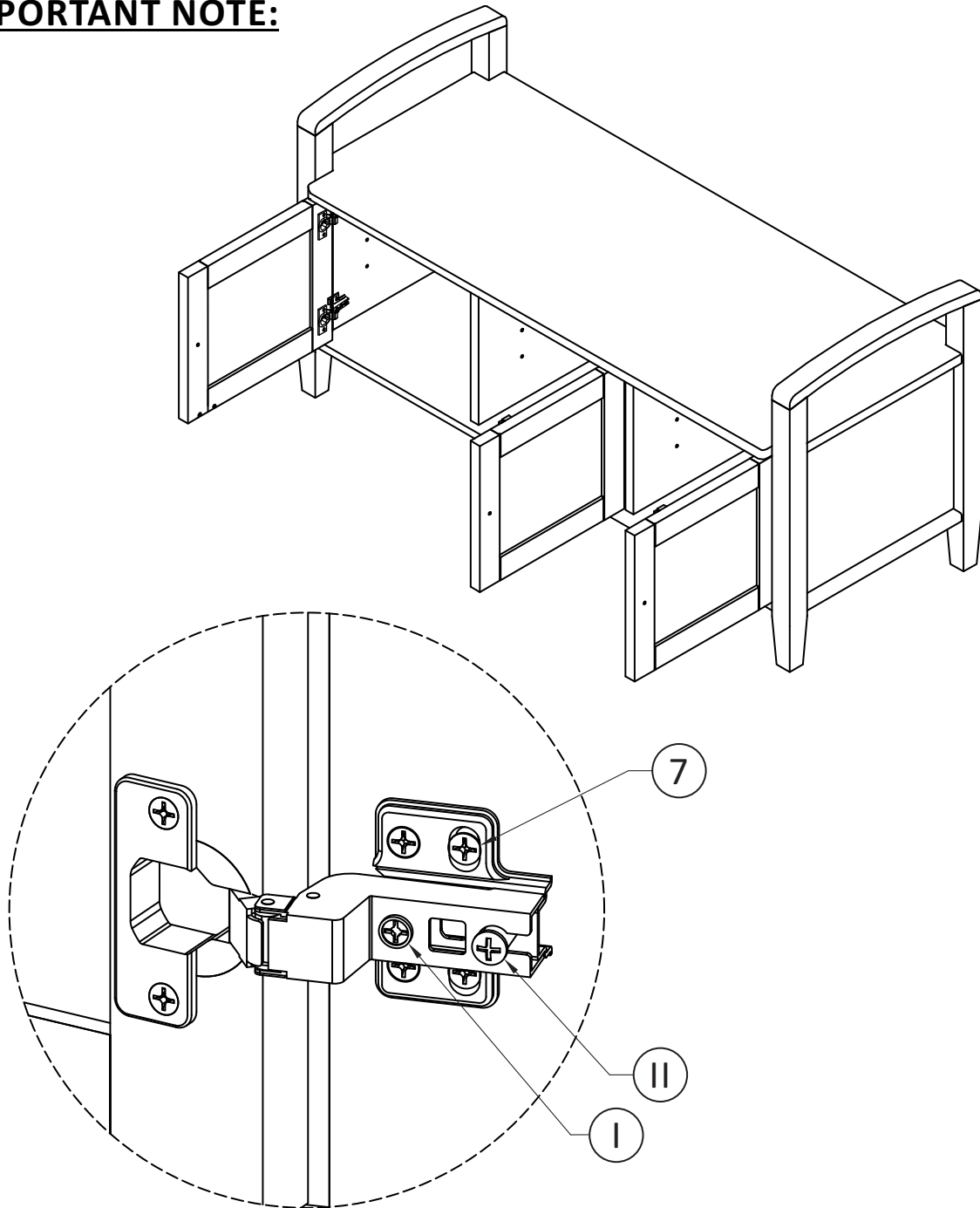
1. Insert two Wood dowels (5) into guide holes on each Divider (DL), (DR).
2. Use rubber mallet to tap Dowels (5) into bottom of holes securely. 1/2 length of Dowels should be exposed.
4. Attach Bottom Shelf (C) to Sides (AL), (AR) and Dividers (DL), (DR) using Allen Key Screws (1) through guide holes.
5. Attach Bottom Support Leg (H) into guide holes of Bottom Shelf (C) using four Phillips Screws (10).
6. Use Phillips screwdriver to tighten Screws. Do not over-tighten.

Step 5



1. Attach Adjustable Hinges (11) to Doors (E) using Phillips Screws (7) into pre-drilled holes on Doors (E).
2. Attach Adjustable Hinges on Doors (E) to Sides (AL, AR) using Phillips Screws (7) into pre-drilled holes on Sides (AL, AR).
3. Use a Phillips screwdriver to tighten screws. Do not over-tighten.

IMPORTANT NOTE:



Tighten the Screw marked ② to fasten hinge. The door may need to be adjusted so that all the spaces between the door and the unit sides are equal. To adjust, follow instructions:

1. Side adjustment 4 mm

To move the door towards the side panel, loosen screw ① and tighten screw ②.

To move the door away from the side panel, loosen screw ② and tighten screw ①.

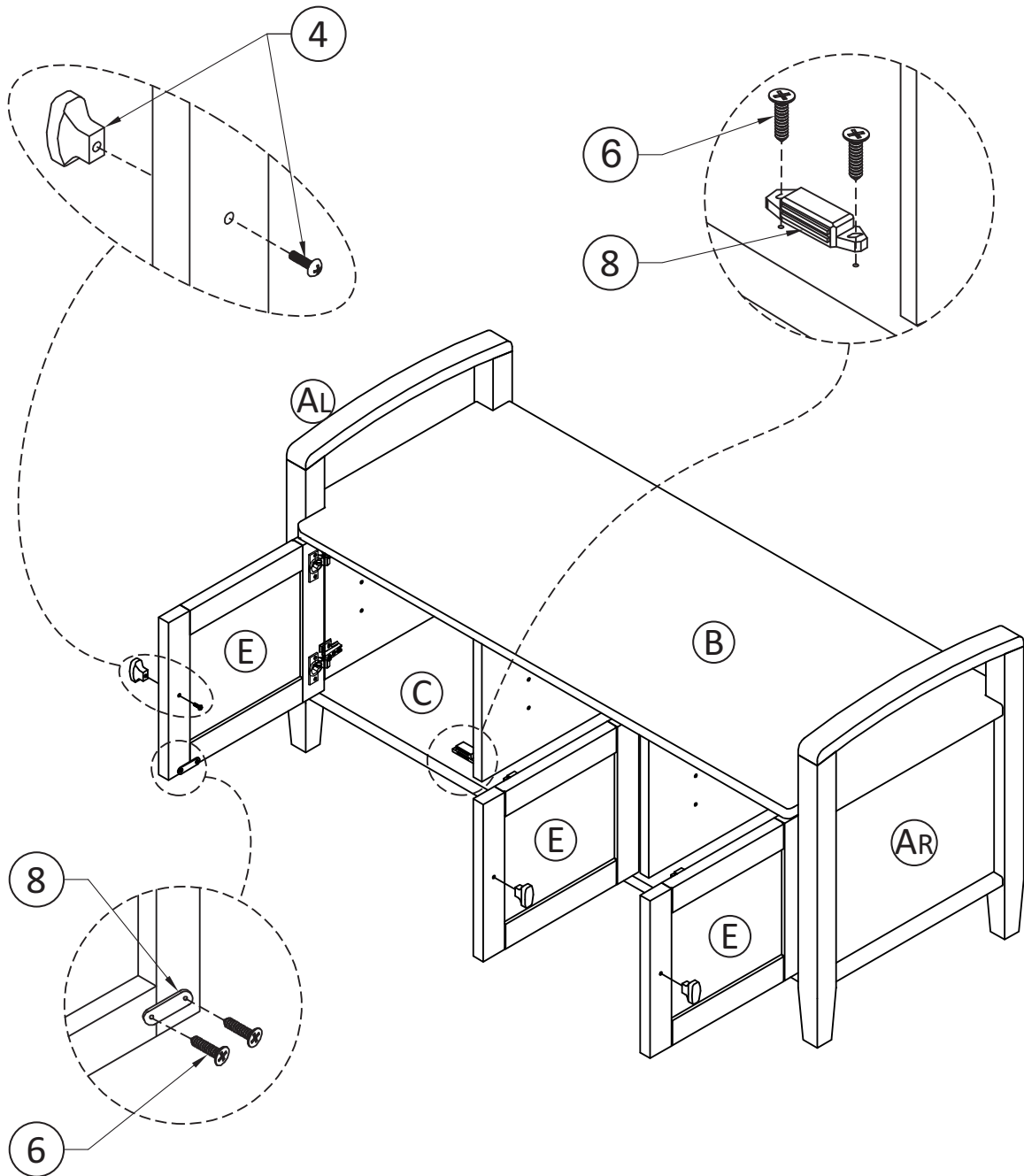
2. Depth adjustment 4 mm

Loosen screw ② (just one turn), adjust door to desired position, re-tighten screw .

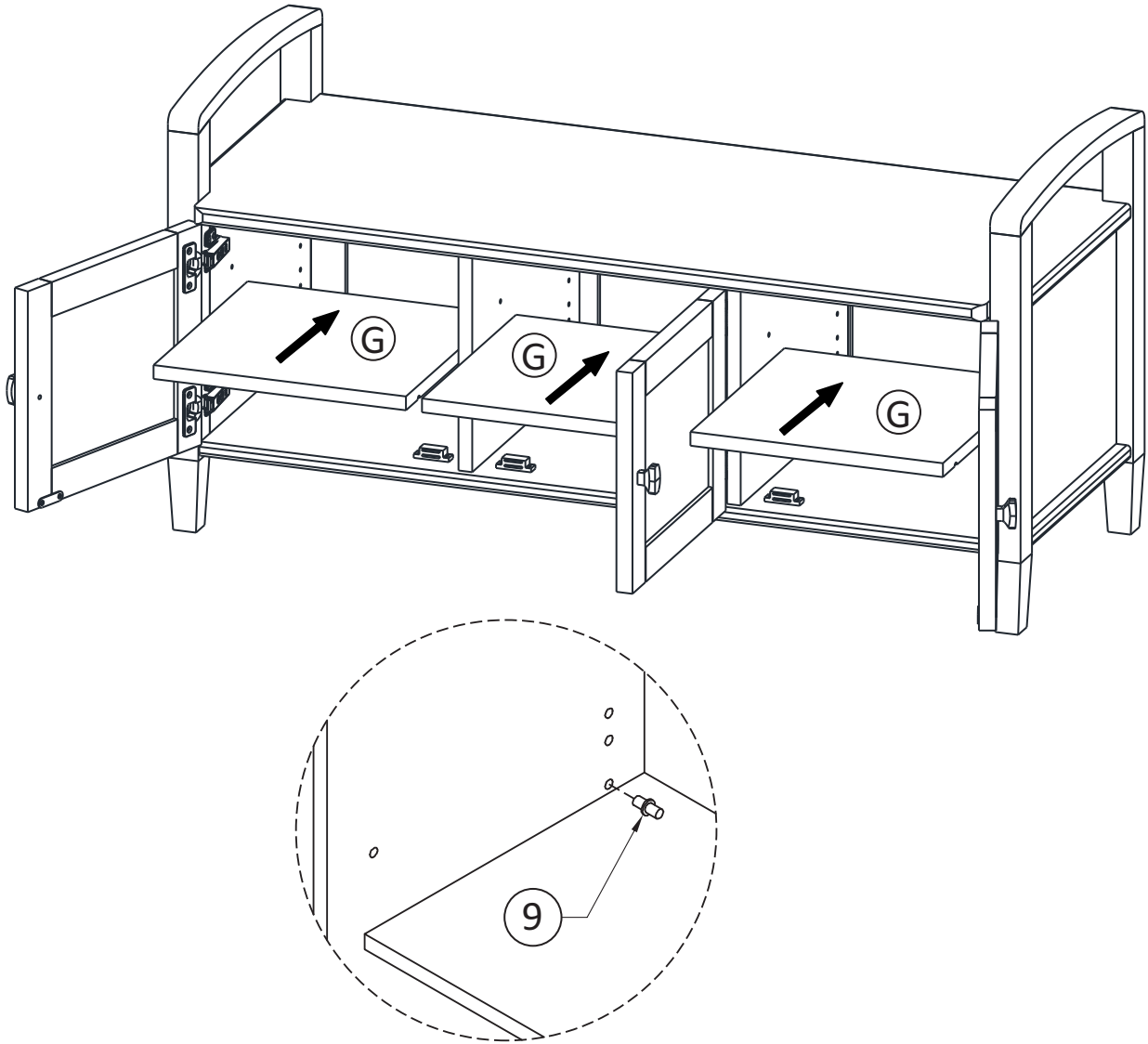
3. Height adjustment

Loosen screw ⑦, adjust door to desired position, re-tighten screw .

Step 6



1. Attach Magnet Plates (8) to bottom corner of Doors (E) using Phillips Screws (6) into pre-drilled holes on Doors (E).
2. Attach Magnets (8) using Phillips Screws (6) into pre-drilled holes on Bottom Shelf (C).
3. Use a Phillips screwdriver to attach Handles (4) to Doors (E).

Step 7

1. Use four Shelf Supports (9) for each Shelf (G) in desired location.
2. Two Shelf Supports (9) may be used on back top of each Shelf (G) as a tipping restraint.