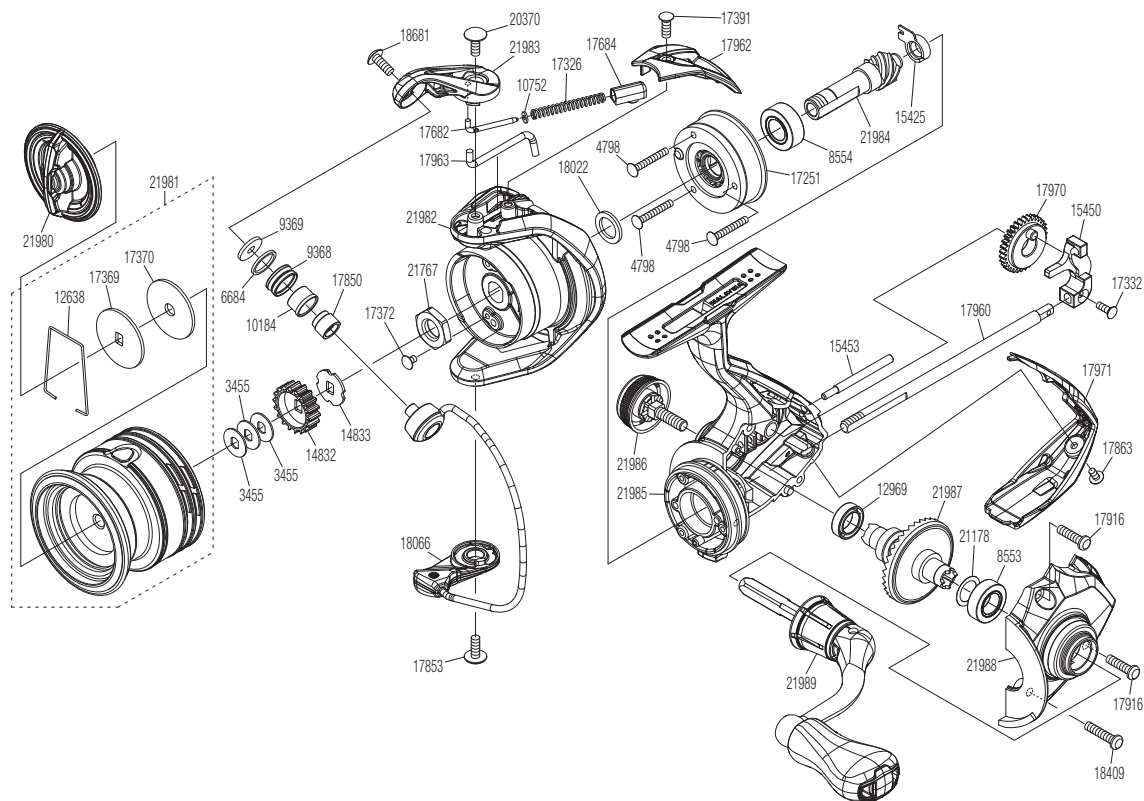


SHIMANO

NEXAVE

NEX-1000



Please note that the number of adjusting washers may not always be the same as shown in the exploded views.

(51SB491B10X)

Please note that your actions take full responsibility when you take it apart.

#	Part No.	Description	#	Part No.	Description	#	Part No.	Description
3455	10BXN	Spool Washer	17370	10N57	Drag Washer	21767	10RXE	Rotor Nut
4798	103C6	Screw	17372	10LCE	Screw	21980	101UF	Drag Knob Assembly
6684	10KFD	Spacer	17391	10LFK	Screw	21981	10249	Spool Assembly
8553	107AT	Ball Bearing	17682	1061L	Bail Spring Guide A	21982	10TB1	Rotor
8554	107FE	Ball Bearing	17684	107AB	Bail Spring Guide B	21983	100QK	Bail Arm
9368	10JLF	Line Roller	17850	1020X	Collar	21984	1001E	Pinion Gear
9369	10PPF	Washer	17853	10LFH	Screw	21985	100QN	Body
10184	10PFH	Bushing	17863	10LCS	Screw	21986	101UG	Handle Screw Cap Assembly
10752	10TYE	Bail Spring Guide A Collar	17916	10L6K	Screw	21987	10S1M	Drive Gear
12638	10MZV	Retainer	17960	101SY	Main Shaft	21988	100Q9	Side Cover
12969	107FA	Ball Bearing	17962	101T4	Bail Spring Cover	21989	10246	Handle Assembly
14832	103MU	Spool Support A	17963	106L0	Bail Trip Lever			
14833	10J04	Spool Support B	17970	101SW	Oscillating Gear			
15425	1074K	Bushing	17971	101SL	Rear Protector			
15450	10G64	Oscillating Slider	18022	10JVH	Washer			
15453	10359	Oscillating Guide	18066	10DH9	Bail Assembly			
17251	10QPN	Roller Clutch Assembly	18409	10L6P	Screw			
17326	10R2N	Bail Spring	18681	10PMH	Screw			
17332	10R1P	Screw	20370	103DA	Screw			
17369	10N23	Key Washer	21178	10EEZ	Washer			