

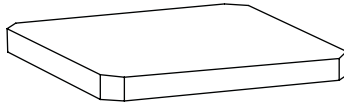
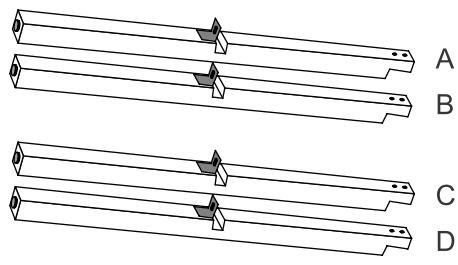


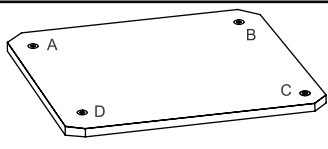
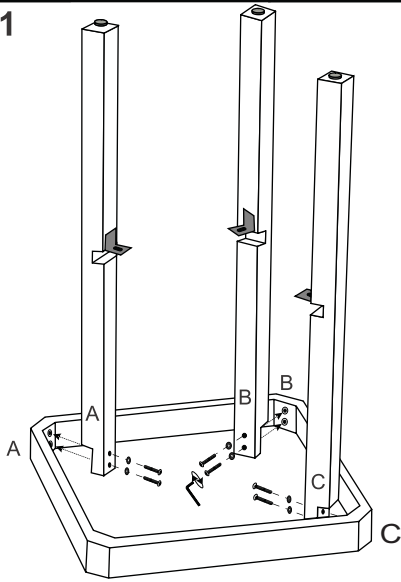


ASSEMBLY INSTRUCTION

TALCOTT SIDE TABLE

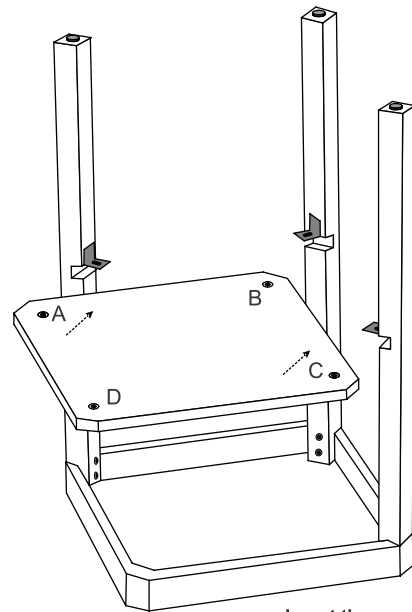
<p>4+1 EXTRA</p>  <p>SMALL ALLEN SCREWS</p>	<p>x1</p>  <p>ALLEN KEY</p>	<p>x1</p>  <p>WOOD TOP</p>	 <p>4 PCS WOODEN LEGS</p>
<p>8+1 EXTRA</p>  <p>LONG ALLEN SCREWS</p>	<p>8+1 EXTRA</p>  <p>WASHERS</p>	<p>x1</p>  <p>WOOD SHELF</p>	

STEP-1



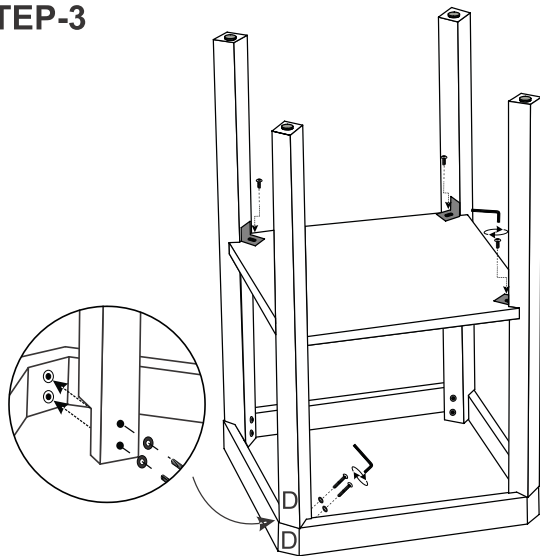
Align 3 legs (A/B/C) as indicated and fix the wood top with help of long Allen screws and washers. Partially tighten the screws to approx 50%

STEP-2



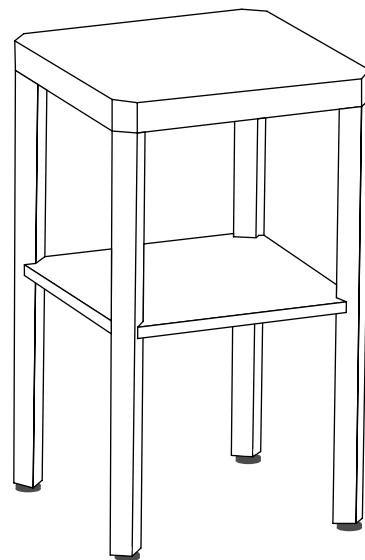
Insert the wood shelf as shown

STEP-3



Fix the fourth leg (D) to the wood shelf. Secure the connection with wood top with help long Allen screws and washers (same as done in step 1). Now secure the wood shelf with 4 legs, with help of small Allen screws (no washer required). Ensure all screws are fully tightened.

ASSEMBLED



Flip the table and adjust the Levellers if needed to balance on floor